



Chipsmall Limited consists of a professional team with an average of over 10 year of expertise in the distribution of electronic components. Based in Hongkong, we have already established firm and mutual-benefit business relationships with customers from,Europe,America and south Asia,supplying obsolete and hard-to-find components to meet their specific needs.

With the principle of “Quality Parts,Customers Priority,Honest Operation,and Considerate Service”,our business mainly focus on the distribution of electronic components. Line cards we deal with include Microchip,ALPS,ROHM,Xilinx,Pulse,ON,Everlight and Freescale. Main products comprise IC,Modules,Potentiometer,IC Socket,Relay,Connector.Our parts cover such applications as commercial,industrial, and automotives areas.

We are looking forward to setting up business relationship with you and hope to provide you with the best service and solution. Let us make a better world for our industry!



## Contact us

Tel: +86-755-8981 8866 Fax: +86-755-8427 6832

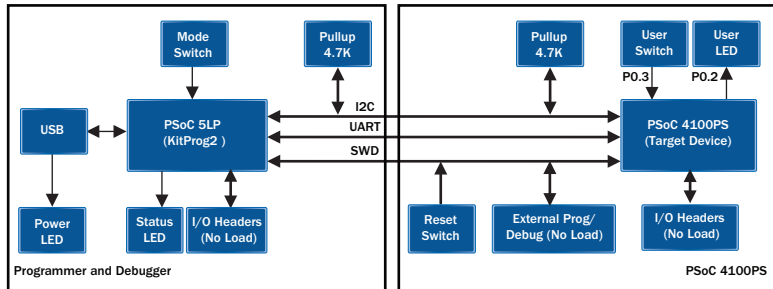
Email & Skype: info@chipsmall.com Web: www.chipsmall.com

Address: A1208, Overseas Decoration Building, #122 Zhenhua RD., Futian, Shenzhen, China



# CY8CKIT-147 PSoC® 4100PS PROTOTYPING KIT QUICK START GUIDE

## Block Diagram



## Code Example Operation

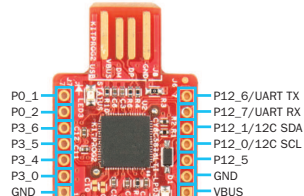
- Power the PSoC 4100PS Prototyping board by plugging the PCB USB connector (J8) to your computer.
- Amber LEDs, LED3 (Status LED) and LED2 (Power LED) turns ON.
- Blue LED, LED1 (User LED) starts glowing with breathing effect.

**Note:** For information on KitProg2 mode switching, refer the Kit Guide.

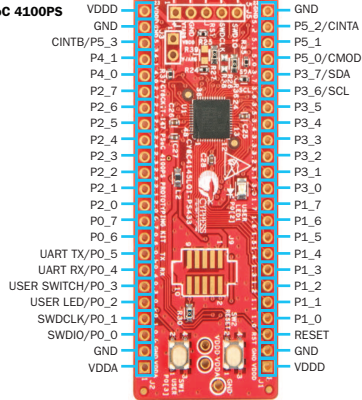
For more information, visit: [www.cypress.com/CY8CKIT-147](http://www.cypress.com/CY8CKIT-147)

## Pinout Description

### PSoC 5LP



### PSoC 4100PS



**Design the way you think!**



# Cypress Semiconductor

## CY8CKIT-147 PSoC® 4100PS Prototyping Kit



Contents under the label