



Chipsmall Limited consists of a professional team with an average of over 10 year of expertise in the distribution of electronic components. Based in Hongkong, we have already established firm and mutual-benefit business relationships with customers from,Europe,America and south Asia,supplying obsolete and hard-to-find components to meet their specific needs.

With the principle of “Quality Parts,Customers Priority,Honest Operation,and Considerate Service”,our business mainly focus on the distribution of electronic components. Line cards we deal with include Microchip,ALPS,ROHM,Xilinx,Pulse,ON,Everlight and Freescale. Main products comprise IC,Modules,Potentiometer,IC Socket,Relay,Connector.Our parts cover such applications as commercial,industrial, and automotives areas.

We are looking forward to setting up business relationship with you and hope to provide you with the best service and solution. Let us make a better world for our industry!



Contact us

Tel: +86-755-8981 8866 Fax: +86-755-8427 6832

Email & Skype: info@chipsmall.com Web: www.chipsmall.com

Address: A1208, Overseas Decoration Building, #122 Zhenhua RD., Futian, Shenzhen, China



EZ-BLE™ PRoC™ EVALUATION BOARD

CYBLE-212020-EVAL



The EZ-BLE™ PRoC™ Evaluation Board (CYBLE-212020-EVAL) enables you to evaluate and develop applications on the EZ-BLE PRoC Module (CYBLE-212020-01). The EZ-BLE PRoC Module is a fully-integrated, fully-certified, 14.5 mm x 19.2 mm x 2.0 mm, programmable, Bluetooth® Smart module designed to reduce your time-to-market.

For more information, visit:

www.cypress.com/EZ-BLEModule - EZ-BLE Module home page

www.cypress.com/EZ-BLEEval - EZ-BLE PRoC Evaluation Board kit page

www.cypress.com/go/AN96841 - Getting started guide

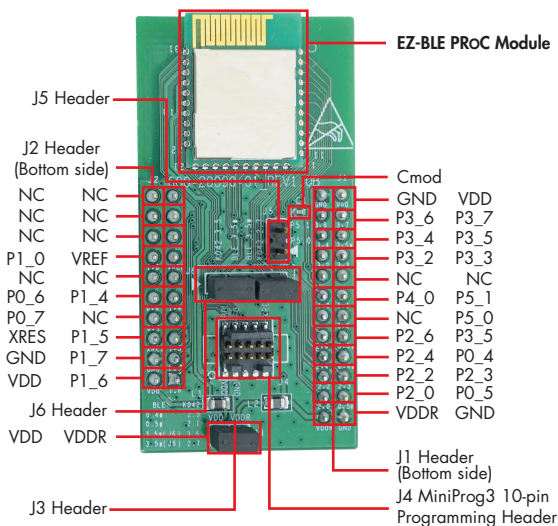


Fig 1: CYBLE-212020 EVAL Pinout Description

Note: To use the CYBLE-212020-EVAL board, you must separately purchase either the CY8CKIT-002 MINIPROG3 or the CY8CKIT-042-BLE BLE PIONEER KIT.

EZ-BLE™ PROc™ EVALUATION BOARD

1: Connect the CYBLE-212020-EVAL to the CY8CKIT-002 (MiniProg3)

Connect a jumper on the J3 header

J3

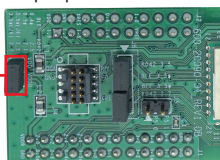


Fig 2: J3 Header

Connect the MiniProg3 to the J4 10-pin header



Fig 3: Programming/Debugging with MiniProg3

OR Plug the CYBLE-212020-EVAL on the CY8CKIT-042-BLE baseboard.

Note: Jumper on CYBLE-212020-EVAL's J3 header can be connected or disconnected.

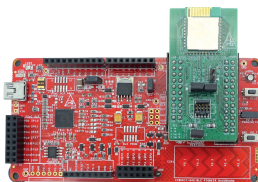


Fig 4: Programming and debugging with CY8CKIT-042-BLE BLE Pioneer Kit Baseboard

Pin Mapping between CY8CKIT-042-BLE (Base) and CYBLE-212020-EVAL (Eval)

(Base)	(Eval)	(Base)	(Eval)	(Base)	(Eval)	(Base)	(Eval)
GND	GND	P1_4	P1_4	P2_4	P2_4	P3_6	P3_6
VDDD, VDDDA	VDD	P1_5	P1_5	P2_5	P0_4	P3_7	P3_7
VDDR	VDDR	P1_6	P1_6	P2_6	P2_6	P4_0	P4_0
XRES	XRES	P1_7	P1_7	P2_7	P3_5	P5_0	P5_0
VREF	VREF	P2_0	P2_0	P3_2	P3_2	P5_1	P5_1
PO_6	PO_6	P2_1	PO_5	P3_3	P3_3		
PO_7	PO_7	P2_2	P2_2	P3_4	P3_4		
P1_0	P1_0	P2_3	P2_3	P3_5	P3_5		

2: Create a project using the CYBLE-212020-01MPN and program/debug using PSoC® Creator™ 3.3 SP2

The EZ-BLE PROc Module (CYBLE-212020-01) is qualified for the Bluetooth 4.2 specification and is certified for the 2.4 GHz unlicensed frequency range in USA (FCC), Canada (IC), Europe (CE), Japan (TELEC) and Korea (KC).

Visit www.cypress.com/support for technical support.