



Chipsmall Limited consists of a professional team with an average of over 10 year of expertise in the distribution of electronic components. Based in Hongkong, we have already established firm and mutual-benefit business relationships with customers from,Europe,America and south Asia,supplying obsolete and hard-to-find components to meet their specific needs.

With the principle of “Quality Parts,Customers Priority,Honest Operation,and Considerate Service”,our business mainly focus on the distribution of electronic components. Line cards we deal with include Microchip,ALPS,ROHM,Xilinx,Pulse,ON,Everlight and Freescale. Main products comprise IC,Modules,Potentiometer,IC Socket,Relay,Connector.Our parts cover such applications as commercial,industrial, and automotives areas.

We are looking forward to setting up business relationship with you and hope to provide you with the best service and solution. Let us make a better world for our industry!



Contact us

Tel: +86-755-8981 8866 Fax: +86-755-8427 6832

Email & Skype: info@chipsmall.com Web: www.chipsmall.com

Address: A1208, Overseas Decoration Building, #122 Zhenhua RD., Futian, Shenzhen, China



EZ-BLE™ PSoc® EVALUATION BOARD

CYBLE-214009-EVAL



The EZ-BLE™ PSoc® Evaluation Board (CYBLE-214009-EVAL) enables you to evaluate and develop applications on the EZ-BLE PSoc Module (CYBLE-214009-00). The EZ-BLE PSoc Module is a fully-integrated, fully-certified, 11 mm x 11 mm x 1.8 mm, programmable, Bluetooth® Smart module designed to reduce your time-to-market.

For more information visit:

www.cypress.com/EZ-BLEModule - The EZ-BLE Module home page.

www.cypress.com/EZ-BLEEval - The EZ-BLE PSoc Evaluation Board kit page.

www.cypress.com/go/AN96841 - The getting started guide.

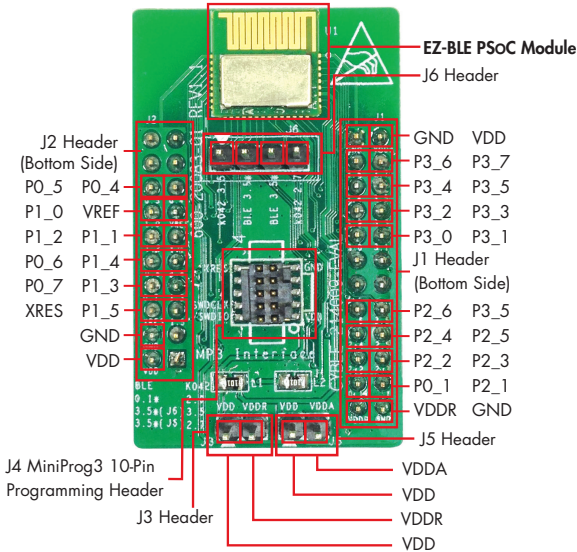
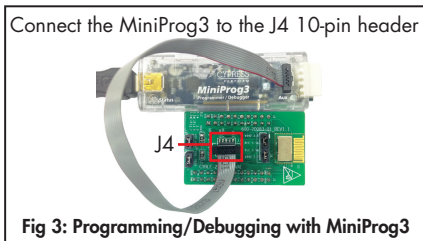
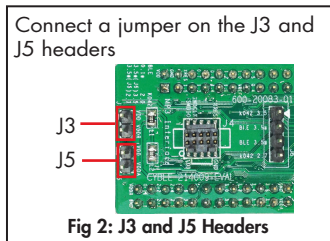


Fig 1: CYBLE-214009-EVAL Pinout Description

Note: To use the CYBLE-214009-EVAL you must separately purchase either the CY8CKIT-002 MINIPROG3 or the CY8CKIT-042-BLE BLE PIONEER KIT.

EZ-BLE™ PSoC® EVALUATION BOARD

1: Connect the CYBLE-214009-00-EVAL to the CY8CKIT-002 (MiniProg3)



OR
 Plug the CYBLE-214009-EVAL on the CY8CKIT-042-BLE baseboard.
 Note: Jumpers on CYBLE-214009-EVAL's J3 or J5 headers can be connected or disconnected.

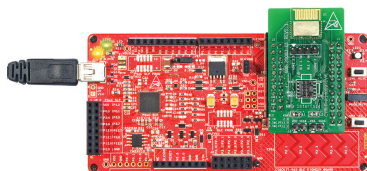


Fig 4: Programming and debugging with CY8CKIT-042-BLE BLE Pioneer Kit Baseboard

| Pin Mapping between CY8CKIT-042-BLE (Base) and CYBLE-214009-00 EVAL (Eval) | | | | | | | |
|----------------------------------------------------------------------------|--------|--------|--------|-------------------|-------------------|-------------------|-------------------|
| (Base) | (Eval) | (Base) | (Eval) | (Base) | (Eval) | (Base) | (Eval) |
| GND | GND | P0_7 | P0_7 | P2_1 | P2_1 | P3_1 | P3_1 |
| VDDD, VDDA | VDD | P1_0 | P1_0 | P2_2 | P2_2 | P3_2 | P3_2 |
| VDDR | VDDR | P1_1 | P1_1 | P2_3 | P2_3 | P3_3 | P3_3 |
| XRES | XRES | P1_2 | P1_2 | P2_4 | P2_4 | P3_4 | P3_4 |
| VREF | VREF | P1_3 | P1_3 | P2_5 | P2_5 | P3_5 ¹ | P3_5 ¹ |
| PO_4 | PO_4 | P1_4 | P1_4 | P2_6 | P2_6 | P3_6 | P3_6 |
| PO_5 | PO_5 | P1_5 | P1_5 | P2_7 ¹ | P3_5 ¹ | P3_7 | P3_7 |
| PO_6 | PO_6 | P2_0 | PO_1 | P3_0 | P3_0 | | |

¹ The J6 header provides flexibility to route P3_5 of the EZ-BLE Module to the P2_7 and/or P3_5 connections of the Pioneer Baseboard.

2: Create a project using the CYBLE-214009-00 MPN and program/debug using PSoC® Creator™ 3.3

The EZ-BLE PSoC Module is qualified for the Bluetooth 4.1 specification and is certified for the 2.4 GHz unlicensed frequency range in USA (FCC), Canada (IC), Europe (CE), Japan (TELEC) and Korea (KC).

Visit www.cypress.com/go/support for technical support