



Chipsmall Limited consists of a professional team with an average of over 10 year of expertise in the distribution of electronic components. Based in Hongkong, we have already established firm and mutual-benefit business relationships with customers from,Europe,America and south Asia,supplying obsolete and hard-to-find components to meet their specific needs.

With the principle of “Quality Parts,Customers Priority,Honest Operation,and Considerate Service”,our business mainly focus on the distribution of electronic components. Line cards we deal with include Microchip,ALPS,ROHM,Xilinx,Pulse,ON,Everlight and Freescale. Main products comprise IC,Modules,Potentiometer,IC Socket,Relay,Connector.Our parts cover such applications as commercial,industrial, and automotives areas.

We are looking forward to setting up business relationship with you and hope to provide you with the best service and solution. Let us make a better world for our industry!



## Contact us

Tel: +86-755-8981 8866 Fax: +86-755-8427 6832

Email & Skype: info@chipsmall.com Web: www.chipsmall.com

Address: A1208, Overseas Decoration Building, #122 Zhenhua RD., Futian, Shenzhen, China



# EZ-BLE™ PROc™ EVALUATION BOARD

## CYBLE-222014-EVAL



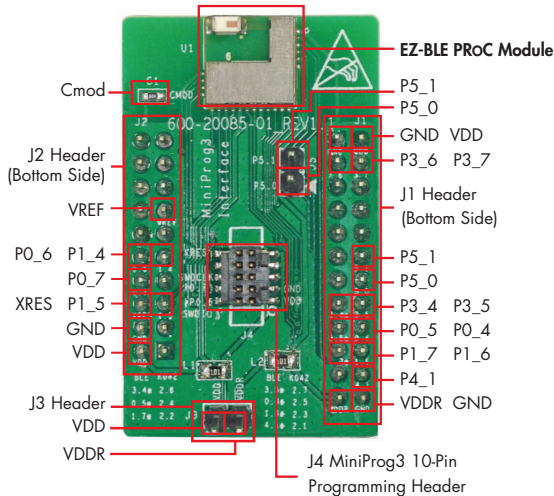
The EZ-BLE™ PROc™ Evaluation Board (CYBLE-222014-EVAL) enables you to evaluate and develop applications on the EZ-BLE PROc Module (CYBLE-222014-01). The EZ-BLE PROc Module is a fully-integrated, fully-certified, 10 mm x 10 mm x 1.8 mm, programmable, Bluetooth® Smart module designed to reduce your time-to-market.

For more information visit:

[www.cypress.com/EZ-BLEModule](http://www.cypress.com/EZ-BLEModule) - The EZ-BLE Module home page.

[www.cypress.com/EZ-BLEEval](http://www.cypress.com/EZ-BLEEval) - The EZ-BLE PROc Evaluation Board kit page.

[www.cypress.com/go/AN96841](http://www.cypress.com/go/AN96841) - The getting started guide.



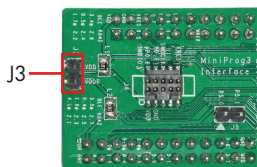
**Fig 1: CYBLE-222014-EVAL Pinout Description**

Note: To use the CYBLE-222014-EVAL you must separately purchase either the CY8CKIT-002 MINIPROG3 or the CY8CKIT-042-BLE BLE PIONEER KIT.

# EZ-BLE™ PROc™ EVALUATION BOARD

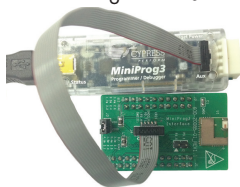
**1:** Connect the CYBLE-222014-EVAL to the CY8CKIT-002 (MiniProg3)

Connect a jumper on the J3 header



**Fig 2: J3 Header**

Connect the MiniProg3 to the J4 10-pin header



**Fig 3: Programming/Debugging with MiniProg3**

**OR**

Plug the CYBLE-222014-EVAL on the CY8CKIT-042-BLE baseboard.

Note: Jumper on CYBLE-222014-EVAL's J3 header can be connected or disconnected.



**Fig 4: Programming and debugging with CY8CKIT-042-BLE BLE Pioneer Kit Baseboard**

Pin Mapping between CY8CKIT-042-BLE (Base) and CYBLE-222014-EVAL (Eval)

| (Base)      | (Eval) | (Base) | (Eval) | (Base) | (Eval) | (Base) | (Eval) |
|-------------|--------|--------|--------|--------|--------|--------|--------|
| GND         | GND    | P2_4   | PO_5   | P2_3   | P1_6   | P3_7   | P3_7   |
| VDDD, VDDDA | VDD    | PO_6   | PO_6   | P2_2   | P1_7   | P2_1   | P4_1   |
| VDDR        | VDDR   | PO_7   | PO_7   | P2_6   | P3_4   | P5_0   | P5_0   |
| XRES        | XRES   | P1_4   | P1_4   | P2_7   | P3_5   | P5_1   | P5_1   |
| P2_5        | PO_4   | P1_5   | P1_5   | P3_6   | P3_6   | VREF   | VREF   |

**2:** Create a project using the CYBLE-222014-01 MPN and program/debug using PSoC® Creator™ 3.3

The EZ-BLE PROc Module is qualified for the Bluetooth 4.2 specification and is certified for the 2.4 GHz unlicensed frequency range in USA (FCC), Canada (IC), Europe (CE), Japan (TELEC) and Korea (KC).

Visit [www.cypress.com/go/support](http://www.cypress.com/go/support) for technical support