



Chipsmall Limited consists of a professional team with an average of over 10 year of expertise in the distribution of electronic components. Based in Hongkong, we have already established firm and mutual-benefit business relationships with customers from,Europe,America and south Asia,supplying obsolete and hard-to-find components to meet their specific needs.

With the principle of “Quality Parts,Customers Priority,Honest Operation,and Considerate Service”,our business mainly focus on the distribution of electronic components. Line cards we deal with include Microchip,ALPS,ROHM,Xilinx,Pulse,ON,Everlight and Freescale. Main products comprise IC,Modules,Potentiometer,IC Socket,Relay,Connector.Our parts cover such applications as commercial,industrial, and automotives areas.

We are looking forward to setting up business relationship with you and hope to provide you with the best service and solution. Let us make a better world for our industry!



## Contact us

Tel: +86-755-8981 8866 Fax: +86-755-8427 6832

Email & Skype: info@chipsmall.com Web: www.chipsmall.com

Address: A1208, Overseas Decoration Building, #122 Zhenhua RD., Futian, Shenzhen, China



## CZRF2V4B-HF Thru CZRF39VB-HF

Voltage 2.4 to 39 Volts

Power 200 mWatts

RoHS Device

Halogen Free

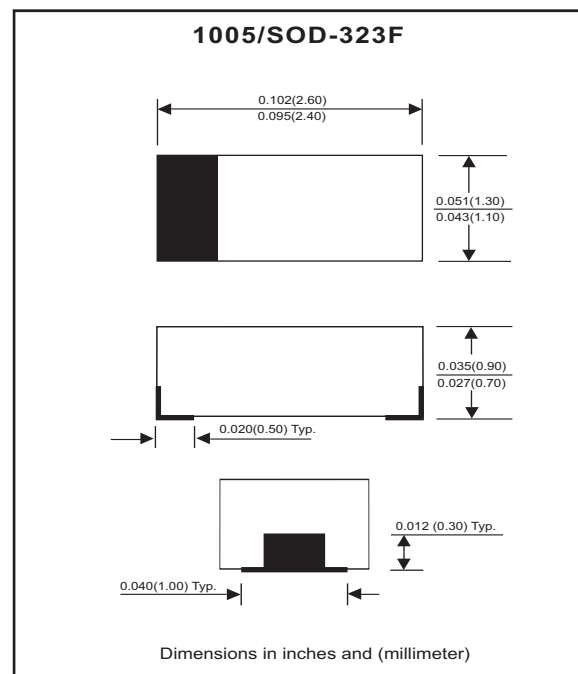


### Features

- 200mW Power Dissipation.
- High Voltages from 2.4 ~ 39 V.
- Designed for mounting on small surface.
- Extremely thin/leadless package.
- Constant voltage control.
- Pb free product.

### Mechanical data

- Case: 1005/SOD-323F Standard package  
Molded plastic.
- Terminals: Gold plated, solderable per MIL-STD-750,method 2026.
- Polarity: Indicated by cathode band.
- Weight: 0.006 gram(approx.).



### Maximum Rating AND Electrical Characteristics

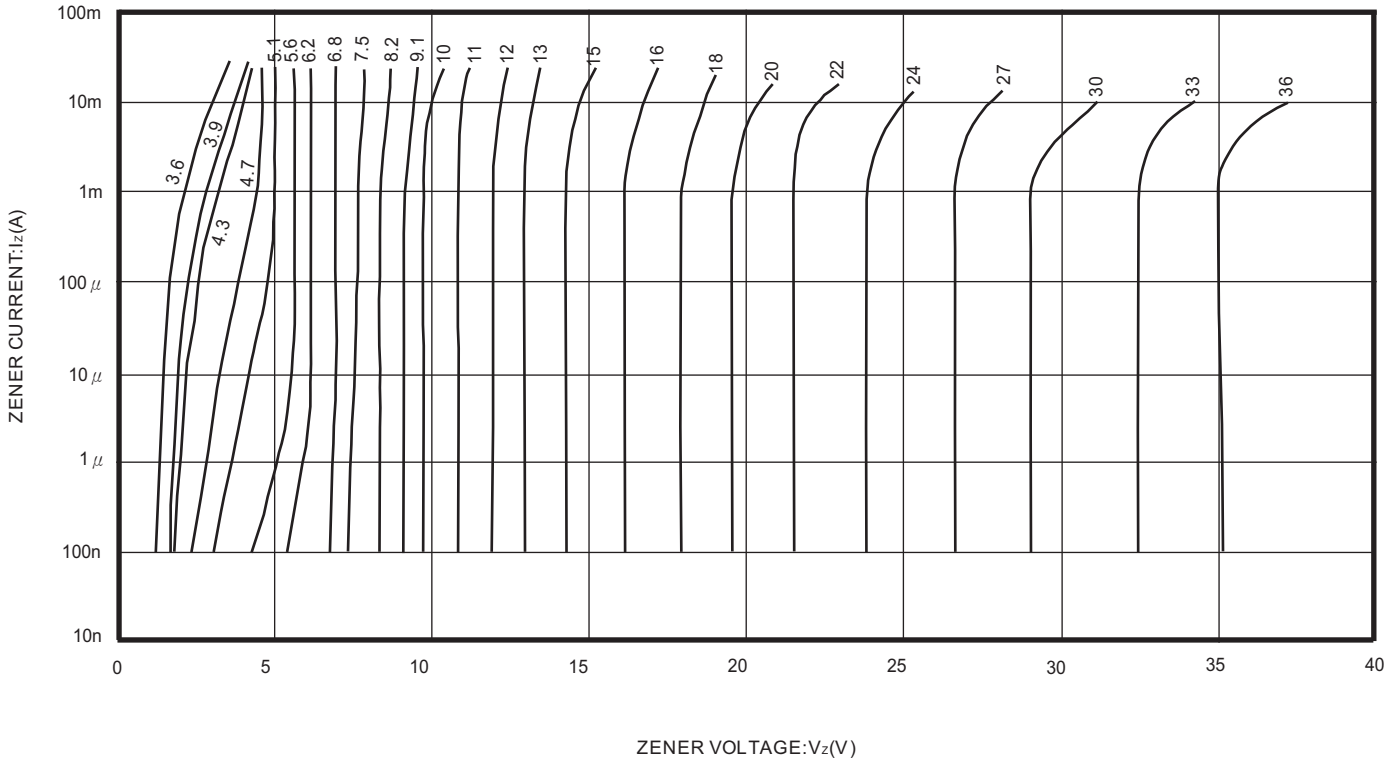
Parameter	Symbol	Value	Unit
Maximum Forward Voltage Drop at $I_F = 10 \text{ mA}$	$V_F$	0.9	V
Maximum Power Dissipation at $25 \text{ C}^\circ$	$P_D$	200	mW
Forward current , surge peak 8.3 ms single half sine-wave superimposed on rate load( JEDEC method )	$I_{FSM}$	2.0	A
Peak ESD voltage capability (IEC 61000-4-2)	$V_{PV}$	8	kV
Operating Junction and Storage Temperature Range	$T_J$	-55 to +125	$^\circ\text{C}$

## Electrical Characteristics(Ta = 25C) °

Part Number	Marking Code	Zener Voltage			Operating resistance		Rising operating Resistance		Reverse current	
		Vz(V)			ZZT(Ohm)		ZZK(Ohm)		IR(uA)	
		Min	Max	Iz(mA)	Max	Iz(mA)	Max	Iz(mA)	Max	VR(V)
CZRF2V4B-HF	U2	2.34	2.46	5	100	5	1800	0.25	100	1
CZRF2V7B-HF	U3	2.63	2.77	5	100	5	1900	0.25	75	1
CZRF3V0B-HF	U4	2.93	3.08	5	95	5	2000	0.25	50	1
CZRF3V3B-HF	U5	3.22	3.38	5	95	5	2200	0.25	25	1
CZRF3V6B-HF	U6	3.51	3.69	5	90	5	2300	0.25	15	1
CZRF3V9B-HF	U7	3.80	4.00	5	90	5	2400	0.25	10	1
CZRF4V3B-HF	U8	4.19	4.41	5	88	5	2500	0.25	5	1
CZRF4V7B-HF	U9	4.58	4.82	5	70	5	2200	0.25	3	1.5
CZRF5V1B-HF	UA	4.97	5.23	5	50	5	2050	0.25	2	2
CZRF5V6B-HF	UB	5.46	5.74	5	25	5	1800	0.25	2	3
CZRF6V2B-HF	UC	6.05	6.36	5	10	5	1300	0.25	1	4
CZRF6V8B-HF	UE	6.63	6.97	5	8	5	750	0.25	1	5.2
CZRF7V5B-HF	UF	7.31	7.69	5	7	5	600	0.25	0.5	6
CZRF8V2B-HF	UG	8.00	8.41	5	7	5	600	0.25	0.5	6.5
CZRF9V1B-HF	UH	8.87	9.33	5	10	5	600	0.25	0.1	7
CZRF10VB-HF	UJ	9.75	10.25	5	15	5	600	0.25	0.1	8
CZRF11VB-HF	UK	10.73	11.27	5	18	5	600	0.25	0.1	8.4
CZRF12VB-HF	UM	11.70	12.30	5	22	5	600	0.25	0.1	9.1
CZRF13VB-HF	UN	12.68	13.32	5	25	5	600	0.25	0.1	9.9
CZRF15VB-HF	UP	14.63	15.37	5	32	5	600	0.25	0.1	11
CZRF16VB-HF	UQ	15.60	16.40	5	36	5	600	0.25	0.1	12
CZRF18VB-HF	UR	17.55	18.45	5	42	5	600	0.25	0.1	14
CZRF20VB-HF	US	19.50	20.50	5	48	5	600	0.25	0.1	15
CZRF22VB-HF	UT	21.45	22.55	5	55	5	600	0.25	0.1	17
CZRF24VB-HF	UU	23.40	24.60	5	62	5	600	0.25	0.1	18
CZRF27VB-HF	UV	26.33	27.67	5	70	5	600	0.25	0.1	21
CZRF30VB-HF	UW	29.25	30.75	5	78	5	600	0.25	0.1	23
CZRF33VB-HF	UX	32.18	33.82	5	88	5	700	0.25	0.1	25
CZRF36VB-HF	UY	35.10	36.90	5	95	5	700	0.25	0.1	27
CZRF39VB-HF	UZ	38.03	39.97	5	130	5	800	0.25	0.1	30



## RATING AND CHARACTERISTIC CURVES (CZRF2V4B-HF Thru CZRF39VB-HF)



ZENER VOLTAGE:  $V_z$ (V)  
Fig. 1 Zener voltage characteristics

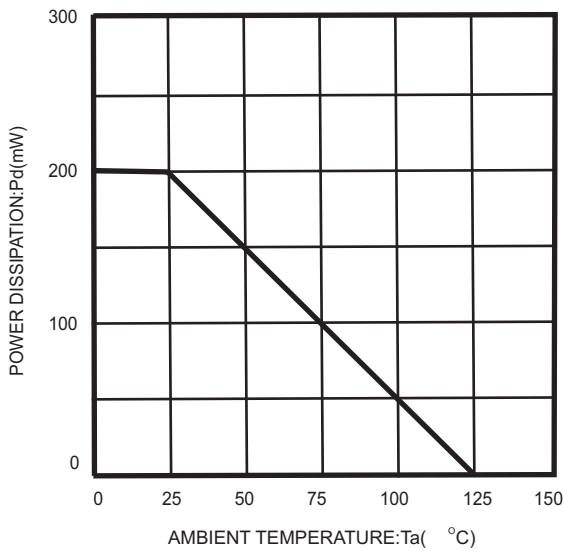


Fig. 2 Derating curve

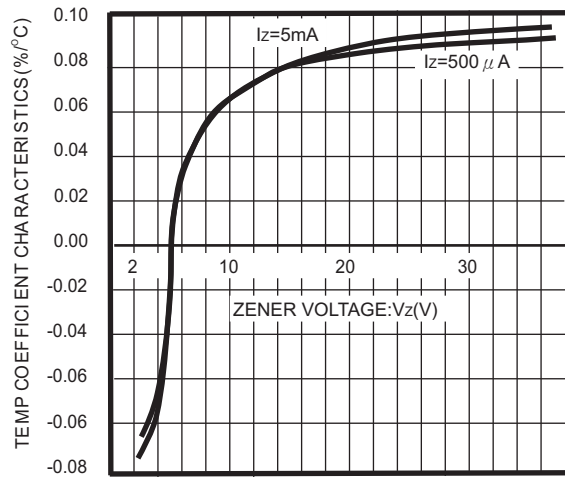
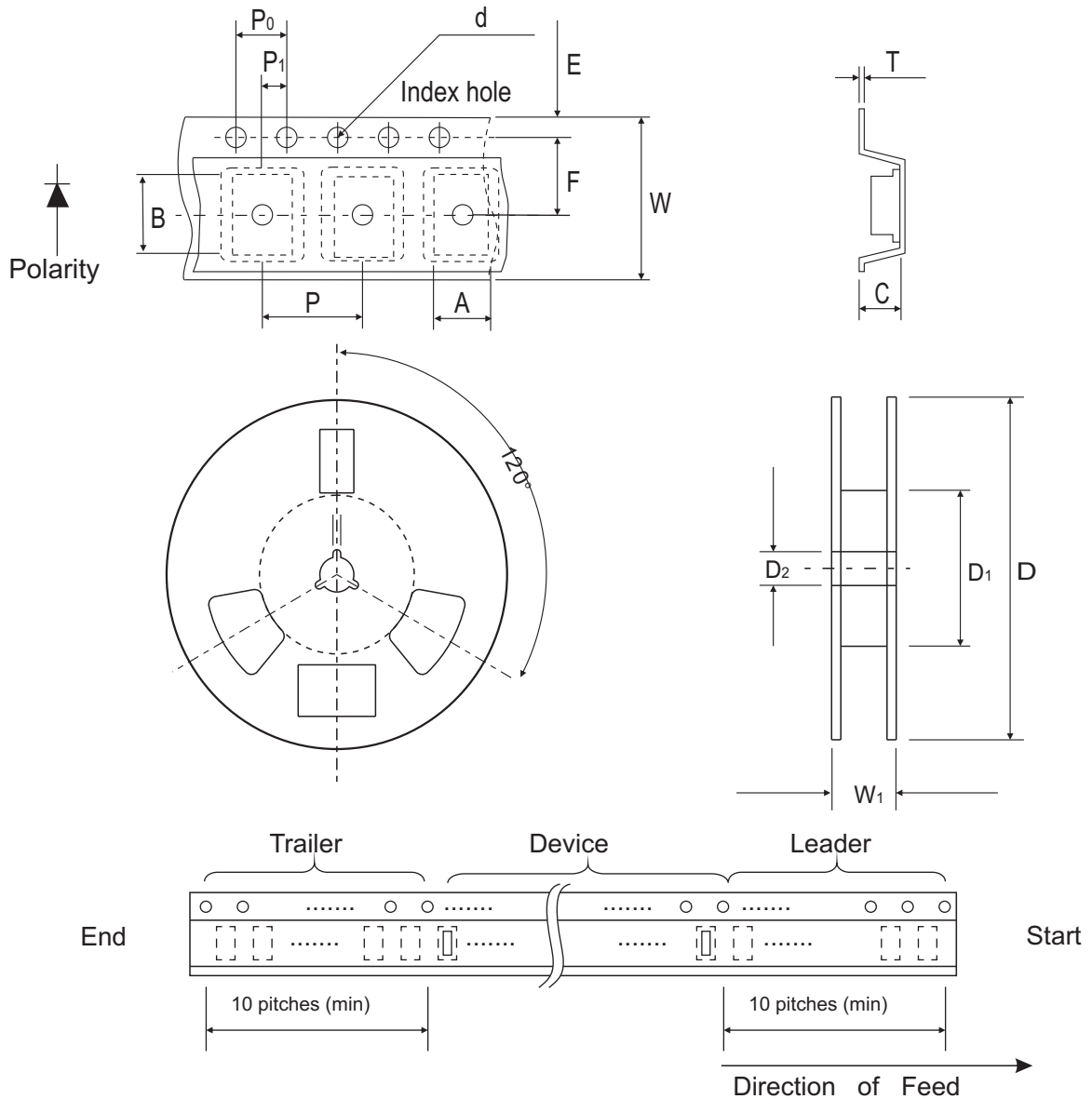


Fig. 3 Zener voltage-temp. Coefficient characteristics

## Reel Taping Specification

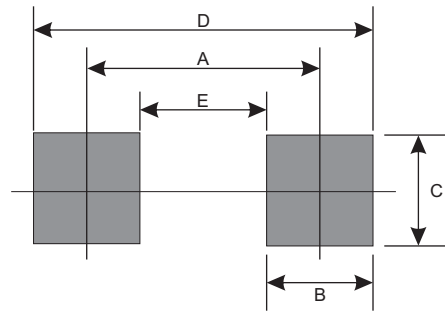


1005 (SOD-323F)	SYMBOL	A	B	C	d	D	D <sub>1</sub>	D <sub>2</sub>
	(mm)	1.55 ± 0.10	2.65 ± 0.10	1.05 ± 0.10	1.55 ± 0.05	178 ± 1	60.0 MIN.	13.0 ± 0.20
	(inch)	0.061 ± 0.004	0.104 ± 0.004	0.041 ± 0.004	0.061 ± 0.002	7.008 ± 0.04	2.362 MIN.	0.512 ± 0.008

1005 (SOD-323F)	SYMBOL	E	F	P	P <sub>0</sub>	P <sub>1</sub>	T	W	W <sub>1</sub>
	(mm)	1.75 ± 0.10	3.50 ± 0.05	4.00 ± 0.10	4.00 ± 0.10	2.00 ± 0.05	0.23 ± 0.05	8.00 ± 0.20	13.5 MAX.
	(inch)	0.069 ± 0.004	0.138 ± 0.002	0.157 ± 0.004	0.157 ± 0.004	0.079 ± 0.004	0.009 ± 0.002	0.315 ± 0.008	0.531 MAX.

## Suggested PAD Layout

SIZE	1005/SOD-323F	
	(mm)	(inch)
A	2.10	0.083
B	1.20	0.047
C	1.20	0.047
D	3.30	0.130
E	0.90	0.035



## Standard Package

Case Type	Qty per Reel	Reel Size
	(Pcs)	(inch)
1005/SOD-323F	4000	7