



Chipsmall Limited consists of a professional team with an average of over 10 year of expertise in the distribution of electronic components. Based in Hongkong, we have already established firm and mutual-benefit business relationships with customers from,Europe,America and south Asia,supplying obsolete and hard-to-find components to meet their specific needs.

With the principle of “Quality Parts,Customers Priority,Honest Operation,and Considerate Service”,our business mainly focus on the distribution of electronic components. Line cards we deal with include Microchip,ALPS,ROHM,Xilinx,Pulse,ON,Everlight and Freescale. Main products comprise IC,Modules,Potentiometer,IC Socket,Relay,Connector.Our parts cover such applications as commercial,industrial, and automotives areas.

We are looking forward to setting up business relationship with you and hope to provide you with the best service and solution. Let us make a better world for our industry!



Contact us

Tel: +86-755-8981 8866 Fax: +86-755-8427 6832

Email & Skype: info@chipsmall.com Web: www.chipsmall.com

Address: A1208, Overseas Decoration Building, #122 Zhenhua RD., Futian, Shenzhen, China

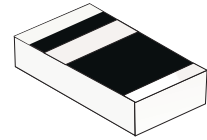


CZRNC55C2V0-G Thru. CZRNC55C75-G

Voltage: 2.0 to 75 Volts

Power: 0.5 Watts

RoHS Device

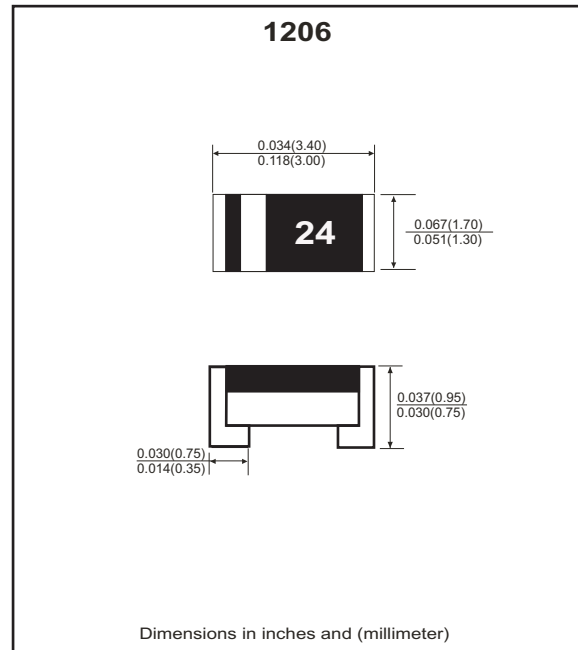


Features

- Silicon planar power zener diodes.
- Leadfree and RoHS Compliance components.

Mechanical data

- Size: 1206
- Weight: approx. 10mg
- Marking: Zener voltage & cathode band.



Maximum Rating and Thermal Characteristics (Tamb = 25°C)¹⁾

Parameter	Symbol	Value	Unit
Power Dissipation	P _{tot}	500	mW
Repetitive Peak Forward Current	I _{FRM}	200	mA
Junction Temperature	T _J	150	°C
Thermal Resistance Junction To Ambient Air	R _{θJA}	300	°C/W
Operating & Storage Temperature Range	T _{OPR} , T _{STG}	-55 to +150	°C

Notes: 1)Valid provided that electrodes are kept at ambient temperature

Electrical Characteristics (Tamb = 25°C)¹⁾

Parameter	Symbol	Max	Unit
Forward Voltage At I _F = 200mA	V _F	1.5	V
Zener Voltage Tolerance, C=±5%			

Notes: 1)Valid provided that electrodes are kept at ambient temperature

Electrical Characteristics(Ta = 25°C)

Part Number	Nominal Zener Voltage		Maximum Zener Impedance				Maximum Reverse Leakage Current		Marking Code
	VZ @ IZT		ZZT @ IZT		ZZK @ IZK		IR @ VR		
	Min V	Max V	(Ω)	(mA)	(Ω)	(mA)	(uA)	(V)	
CZRNC55C2V0-G	1.90	2.10	85	5.0	600	1.0	100	1	2
CZRNC55C2V2-G	2.09	2.31	85	5.0	600	1.0	75	1	2V2
CZRNC55C2V4-G	2.28	2.52	85	5.0	600	1.0	50	1	2V4
CZRNC55C2V7-G	2.57	2.84	85	5.0	600	1.0	10	1	2V7
CZRNC55C3V0-G	2.85	3.15	85	5.0	600	1.0	4	1	3
CZRNC55C3V3-G	3.14	3.47	85	5.0	600	1.0	2	1	3V3
CZRNC55C3V6-G	3.42	3.78	85	5.0	600	1.0	2	1	3V6
CZRNC55C3V9-G	3.71	4.10	85	5.0	600	1.0	2	1	3V9
CZRNC55C4V3-G	4.09	4.52	80	5.0	600	1.0	1	1	4V3
CZRNC55C4V7-G	4.47	4.94	70	5.0	600	1.0	0.5	1	4V7
CZRNC55C5V1-G	4.85	5.36	50	5.0	550	1.0	0.1	1	5V1
CZRNC55C5V6-G	5.32	5.88	30	5.0	450	1.0	0.1	1	5V6
CZRNC55C6V2-G	5.89	6.51	10	5.0	200	1.0	0.1	2	6V2
CZRNC55C6V8-G	6.46	7.14	8	5.0	150	1.0	0.1	3	6V8
CZRNC55C7V5-G	7.13	7.88	7	5.0	50	1.0	0.1	5	7V5
CZRNC55C8V2-G	7.79	8.61	7	5.0	50	1.0	0.1	6.2	8V2
CZRNC55C9V1-G	8.65	9.56	10	5.0	50	1.0	0.1	6.8	9V1
CZRNC55C10-G	9.50	10.50	15	5.0	70	1.0	0.1	7.5	10
CZRNC55C11-G	10.45	11.55	20	5.0	70	1.0	0.1	8.2	11
CZRNC55C12-G	11.40	12.60	20	5.0	90	1.0	0.1	9.1	12
CZRNC55C13-G	12.35	13.65	26	5.0	110	1.0	0.1	10	13
CZRNC55C15-G	14.25	15.75	30	5.0	110	1.0	0.1	11	15
CZRNC55C16-G	15.20	16.80	40	5.0	170	1.0	0.1	12	16
CZRNC55C18-G	17.10	18.90	50	5.0	170	1.0	0.1	13	18
CZRNC55C20-G	19.00	21.00	55	5.0	220	1.0	0.1	15	20
CZRNC55C22-G	20.90	23.10	55	5.0	220	1.0	0.1	16	22
CZRNC55C24-G	22.80	25.20	80	5.0	220	1.0	0.1	18	24
CZRNC55C27-G	25.65	28.35	80	5.0	220	1.0	0.1	20	27
CZRNC55C30-G	28.50	31.50	80	5.0	220	1.0	0.1	22	30
CZRNC55C33-G	31.35	34.65	80	5.0	220	1.0	0.1	24	33
CZRNC55C36-G	34.20	37.80	80	5.0	220	1.0	0.1	27	36
CZRNC55C39-G	37.05	40.95	90	2.5	500	0.5	0.1	29.3	39
CZRNC55C43-G	40.85	45.15	90	2.5	600	0.5	0.1	32.3	43
CZRNC55C47-G	44.65	49.35	110	2.5	700	0.5	0.1	35.3	47
CZRNC55C51-G	48.45	53.55	125	2.5	700	0.5	0.1	38.3	51
CZRNC55C56-G	53.20	58.80	135	2.5	1000	0.5	0.1	42	56
CZRNC55C62-G	58.90	65.10	150	2.5	1000	0.5	0.1	46.5	62
CZRNC55C68-G	64.60	71.40	200	2.5	1000	0.5	0.1	51	68
CZRNC55C75-G	71.25	78.75	250	2.5	1500	0.5	0.1	56.3	75

RATING AND CHARACTERISTIC CURVES (CZRNC55C2V0-G Thru CZRNC55C75-G)

Fig.1 Forward Current vs Forward Voltage

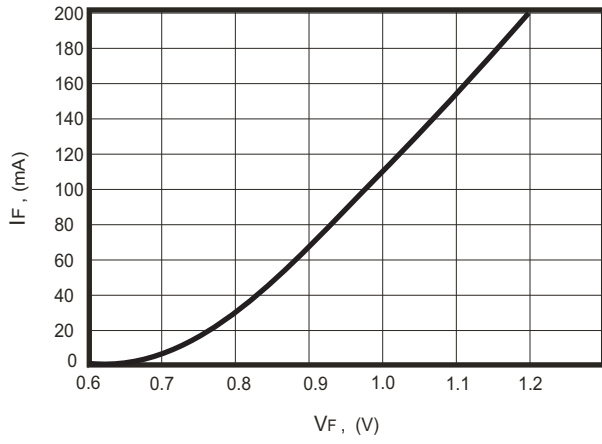
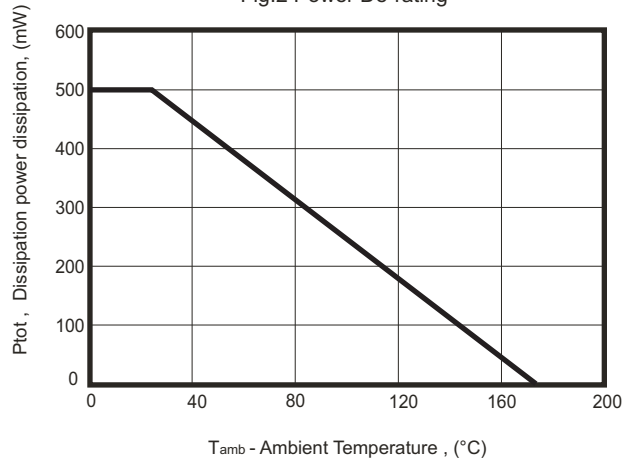
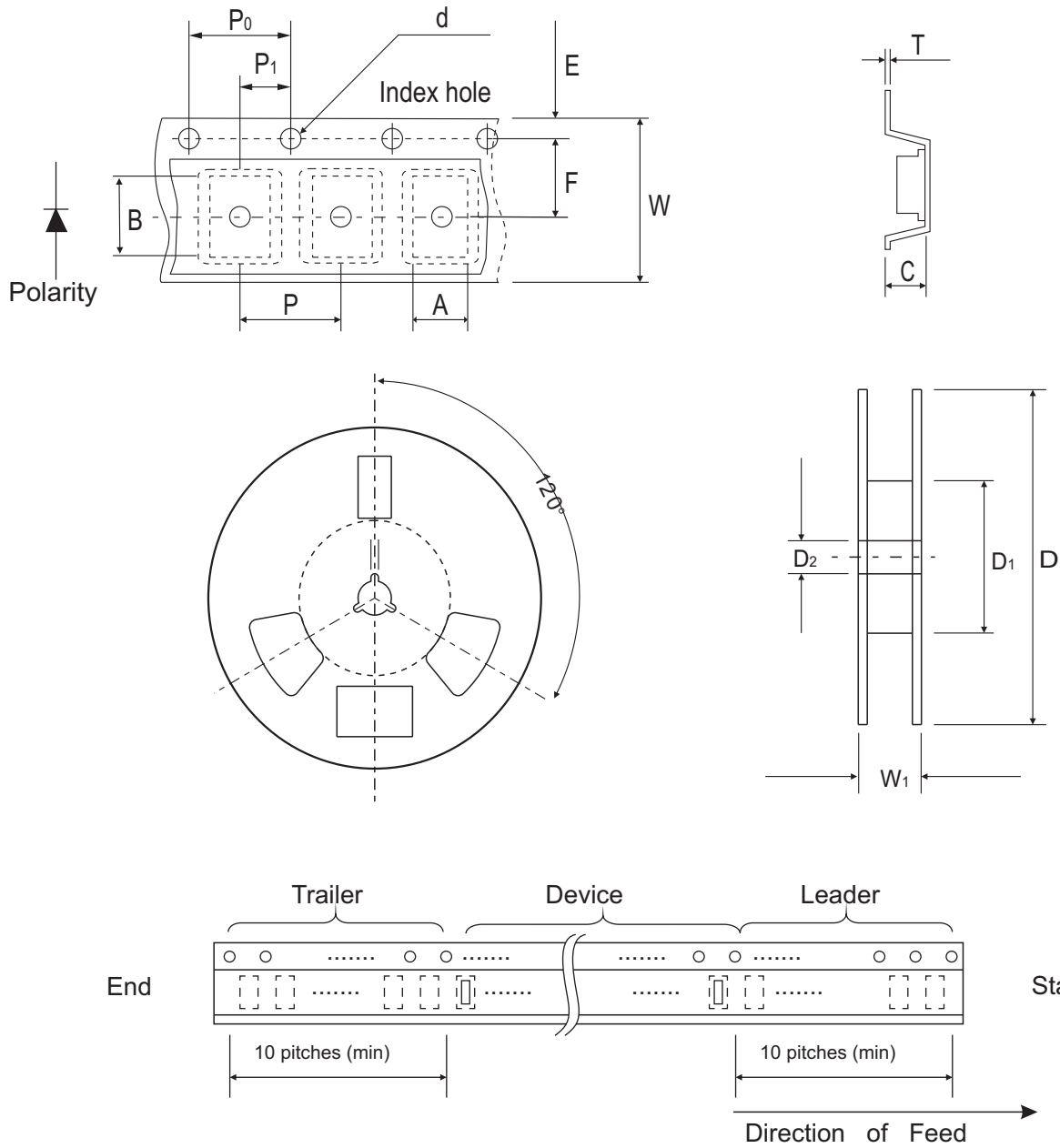


Fig.2 Power De-rating



Reel Taping Specification

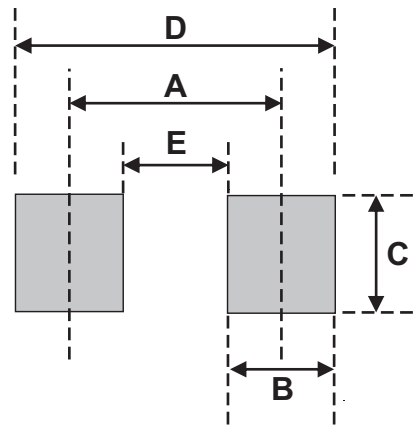


1206	SYMBOL	A	B	C	d	D	D1	D2
	(mm)	2.00 ± 0.20	3.60 ± 0.20	0.95 ± 0.05	1.50 ± 0.10	178.0 ± 1.00	60.0 ± 1.00	13.0 ± 0.30
	(inch)	0.079 ± 0.008	0.142 ± 0.008	0.037 ± 0.002	0.059 ± 0.004	7.007 ± 0.040	2.362 ± 0.040	0.512 ± 0.012

1206	SYMBOL	E	F	P	P0	P1	W	W1
	(mm)	1.75 ± 0.10	3.50 ± 0.10	4.00 ± 0.10	4.00 ± 0.10	2.00 ± 0.05	8.00 ± 0.20	9.50 ± 0.30
	(inch)	0.689 ± 0.004	0.138 ± 0.004	0.157 ± 0.004	0.157 ± 0.004	0.079 ± 0.002	0.315 ± 0.008	0.374 ± 0.012

Suggested PAD Layout

SIZE	1206	
	(mm)	(inch)
A	3.00~3.40	0.118~0.134
B	0.80~1.20	0.032~0.047
C	1.50~1.70	0.059~0.067
D	3.80~4.60	0.150~0.181
E	2.20	0.087



Standard Packaging

Case Type	REEL PACK	
	REEL (pcs)	Reel Size (inch)
1206	5,000	7