



Chipsmall Limited consists of a professional team with an average of over 10 year of expertise in the distribution of electronic components. Based in Hongkong, we have already established firm and mutual-benefit business relationships with customers from,Europe,America and south Asia,supplying obsolete and hard-to-find components to meet their specific needs.

With the principle of “Quality Parts,Customers Priority,Honest Operation,and Considerate Service”,our business mainly focus on the distribution of electronic components. Line cards we deal with include Microchip,ALPS,ROHM,Xilinx,Pulse,ON,Everlight and Freescale. Main products comprise IC,Modules,Potentiometer,IC Socket,Relay,Connector.Our parts cover such applications as commercial,industrial, and automotives areas.

We are looking forward to setting up business relationship with you and hope to provide you with the best service and solution. Let us make a better world for our industry!



Contact us

Tel: +86-755-8981 8866 Fax: +86-755-8427 6832

Email & Skype: info@chipsmall.com Web: www.chipsmall.com

Address: A1208, Overseas Decoration Building, #122 Zhenhua RD., Futian, Shenzhen, China



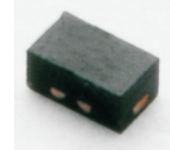
CZRZ3V3B-HF Thru. CZRZ6V8B-HF

Voltage: 3.3 to 6.8 Volts

Power: 100mW

RoHS Device

Halogen Free



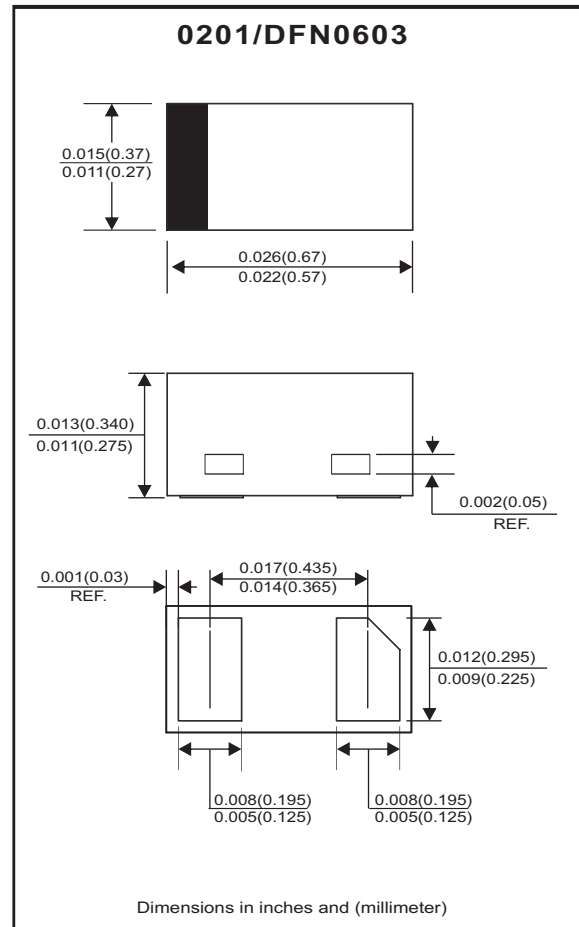
Features

- 100mW Power Dissipation.
- Voltages : 3.3V, 4.7V, 5.1V, 5.6V, 6.8V
- High reliability.
- Designed for mounting on small surface.
- Extremely thin/leadless package.

Mechanical data

- Case: 0201/DFN0603 package, molded plastic.
- Terminals: Gold plated, Solderable per MIL-STD-750, method 2026.
- Polarity: Color band denotes cathode end.
- Mounting position: Any

Circuit diagram



Maximum Rating (at TA=25°C unless otherwise noted)

Parameter	Symbol	Value	Unit
Maximum Forward Voltage Drop at $I_F = 10 \text{ mA}$	V_F	0.9	V
Maximum Power Dissipation at 25 °C	P_D	100	mW
Junction Temperature	T_J	150	°C
Operating Temperature Range	T_{opr}	-55 to +125	°C
Storage Temperature Range	T_{stg}	-55 to +150	°C

Electrical Characteristics ($T_A=25^{\circ}\text{C}$ unless otherwise specified)

Part Number	Zener Voltage				Operating resistance		Rising Operating Resistance		Leakage Current	
	V_Z (Volts)			@ I_{ZT}	Z_{ZT} (Ohm)		Z_{ZK} (Ohm)		$I_R@V_R$	
	Min	Nom	Max	mA	Max	I_{ZT} (mA)	Max	I_{ZK} (mA)	μA	Volts
CZRZ3V3B-HF	3.16	3.30	3.53	5	100	5	1000	1.0	20	1.0
CZRZ4V7B-HF	4.42	4.70	4.90	5	100	5	800	0.5	2.0	1.0
CZRZ5V1B-HF	4.84	5.10	5.37	5	80	5	500	0.5	2.0	1.5
CZRZ5V6B-HF	5.31	5.60	5.92	5	60	5	200	0.5	1.0	2.5
CZRZ6V8B-HF	6.47	6.80	7.14	5	40	5	60	0.5	0.5	3.5

RATING AND CHARACTERISTIC CURVES

Fig.1 - Forward Characteristics

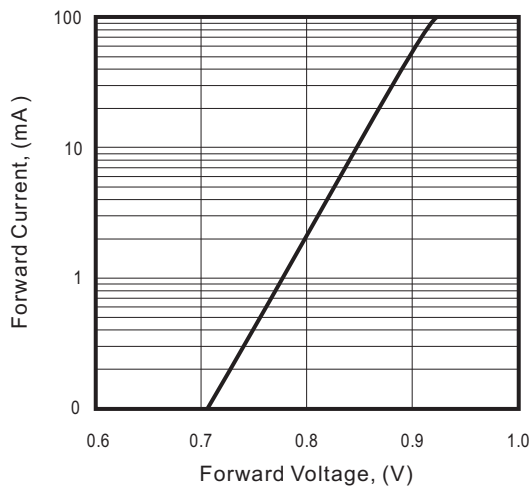


Fig.2 - Zener Breakdown Characteristics

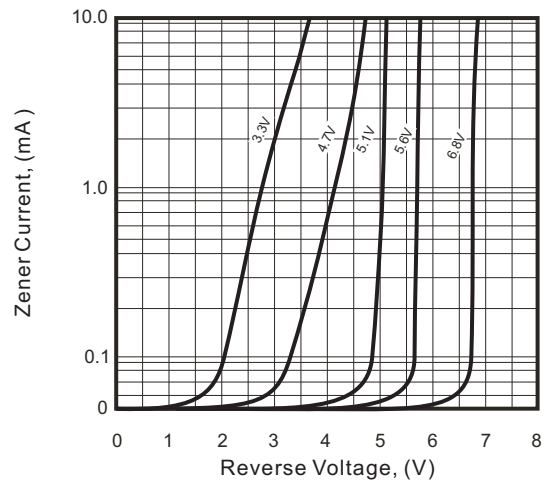
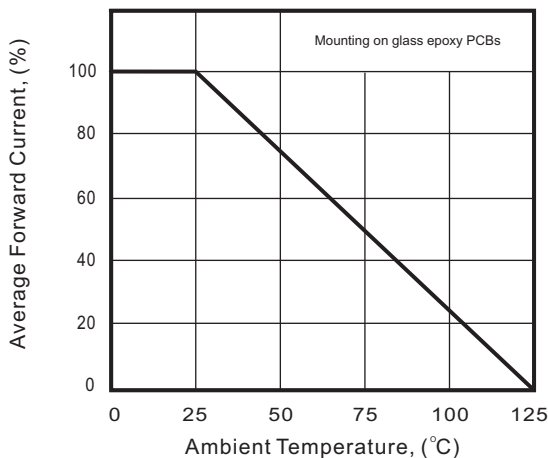
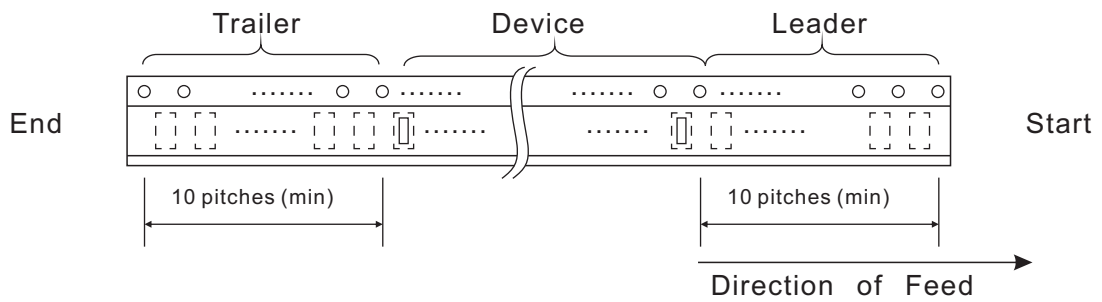
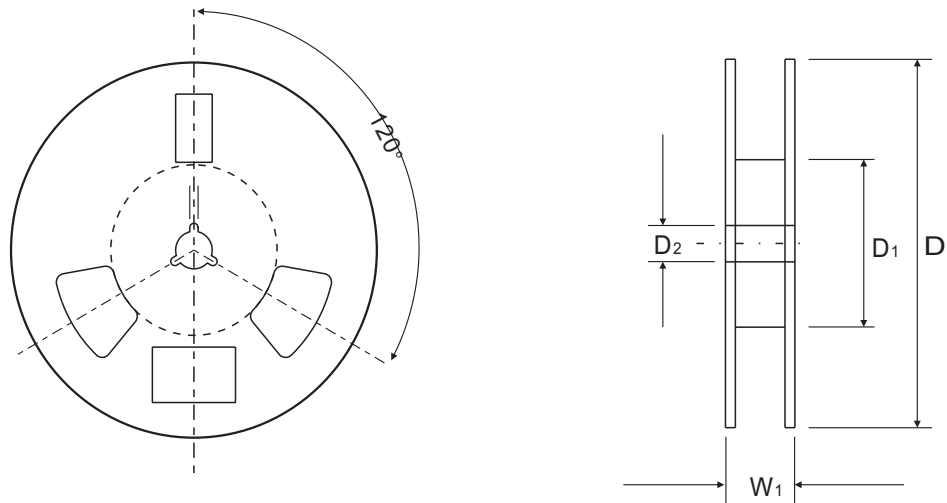
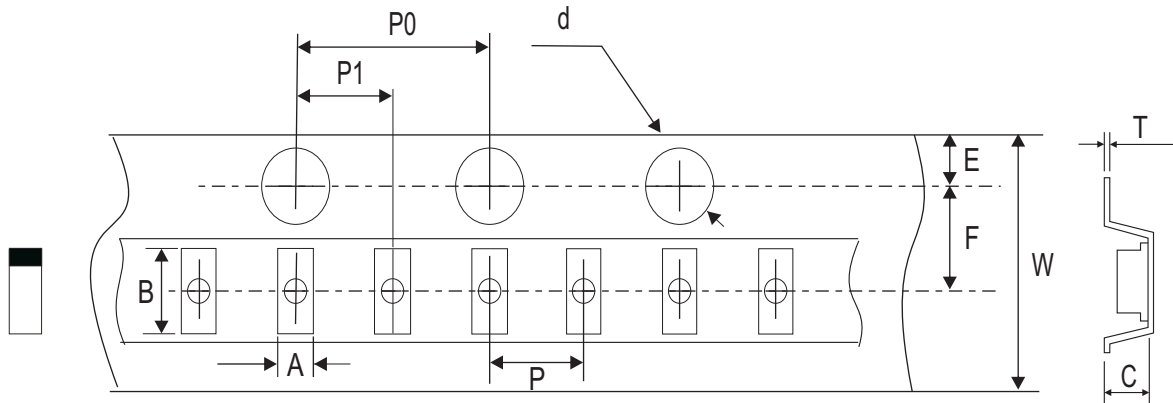


Fig.3 - Current Derating Curve



Reel Taping Specification



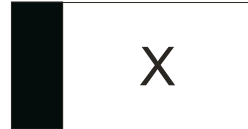
0201 (DFN0603)	SYMBOL	A	B	C	d	D	D ₁	D ₂
	(mm)	0.39 +0.03/-0.02	0.72 ± 0.03	0.36 ± 0.03	1.50 + 0.10	178 ± 1.00	54.4 ± 0.40	13.0 ± 0.20
	(inch)	0.015 +0.001/0.001	0.028 ± 0.001	0.014 ± 0.001	0.059 + 0.004	7.008 ± 0.039	2.142 ± 0.016	0.512 ± 0.008

0201 (DFN0603)	SYMBOL	E	F	P	P ₀	P ₁	T	W	W ₁
	(mm)	1.75 ± 0.10	3.50 ± 0.05	2.00 ± 0.05	4.00 ± 0.05	2.00 ± 0.05	0.23 ± 0.05	8.00 ± 0.10	12.30 ± 0.10
	(inch)	0.069 ± 0.004	0.138 ± 0.002	0.079 ± 0.004	0.157 ± 0.004	0.079 ± 0.004	0.009 ± 0.002	0.315 ± 0.008	0.484 ± 0.004

SMD Zener Diode

Marking Code

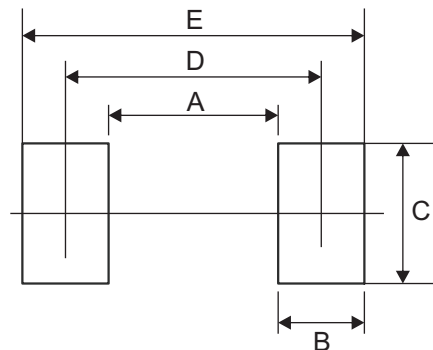
Part Number	Marking Code
CZRZ3V3B-HF	E
CZRZ4V7B-HF	I
CZRZ5V1B-HF	J
CZRZ5V6B-HF	K
CZRZ6V8B-HF	L



X = Product type marking code

Suggested PAD Layout

SIZE	0201(DFN0603)	
	(mm)	(inch)
A	0.16	0.006
B	0.24	0.009
C	0.34	0.013
D	0.40	0.016
E	0.64	0.025



Standard Packaging

Case Type	Qty Per Reel	Reel Size
	(Pcs)	(inch)
0201/DFN0603	10,000	7