



Chipsmall Limited consists of a professional team with an average of over 10 year of expertise in the distribution of electronic components. Based in Hongkong, we have already established firm and mutual-benefit business relationships with customers from,Europe,America and south Asia,supplying obsolete and hard-to-find components to meet their specific needs.

With the principle of "Quality Parts,Customers Priority,Honest Operation,and Considerate Service",our business mainly focus on the distribution of electronic components. Line cards we deal with include Microchip,ALPS,ROHM,Xilinx,Pulse,ON,Everlight and Freescale. Main products comprise IC,Modules,Potentiometer,IC Socket,Relay,Connector.Our parts cover such applications as commercial,industrial, and automotives areas.

We are looking forward to setting up business relationship with you and hope to provide you with the best service and solution. Let us make a better world for our industry!



Contact us

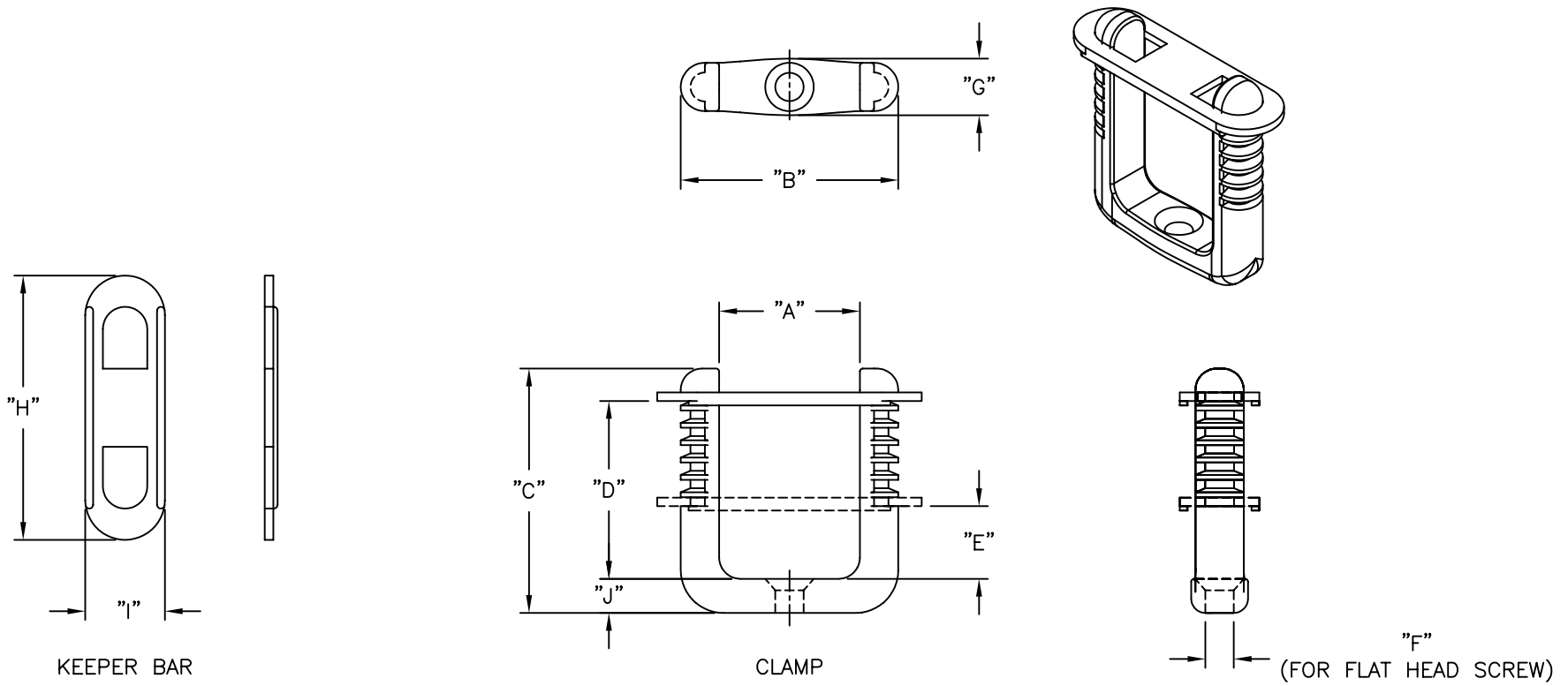
Tel: +86-755-8981 8866 Fax: +86-755-8427 6832

Email & Skype: info@chipsmall.com Web: www.chipsmall.com

Address: A1208, Overseas Decoration Building, #122 Zhenhua RD., Futian, Shenzhen, China



PART NO.	DIM. "A"	DIM. "B"	DIM. "C"	DIM. "D"	DIM. "E"	DIM. "F"	DIM. "G"	DIM. "H"	DIM. "I"	DIM. "J"
D-1	.990 (25.1)	1.53 (38.9)	1.72 (43.7)	1.25 (31.8)	.51 (13.0)	.200 (5.1)	.40 (10.2)	1.86 (47.2)	.56 (14.2)	.24 (6)
D-1.5	1.457 (37.0)	2.175 (55.2)	2.23 (56.6)	1.65 (41.9)	.66 (16.8)		.46 (11.7)	2.47 (62.7)	.70 (17.8)	.31 (7.9)



NOTES:

1. MATERIAL: NYLON 6/6 (RMS-01).
FLAME RETARDANT NYLON (RMS-19),
AVAILABLE BY SPECIAL ORDER ONLY.
2. COLOR: NATURAL.
3. ALL DIMENSIONS ARE FOR REFERENCE ONLY.

TITLE: D-CLAMPS			DWG IN IN (MM)		FINAL	
E	SEE ECN #1273 FOR CHANGES	SK 01.18.07	TOLERANCES UNLESS NOTED	FILE # D-CLAMPS	DWN: S.M.	APP:
D	ADDED TABLE, PART NO. D-1.5 AND NOTE 3.	SM 07.27.01	.XX=±.010	MAT'L: SEE NOTES	DT: 06/06/01	DT:
C	REMOVED D-.250, D-.500 AND D-1.5; RE-DRAWN AND UPDATED	SM 06.06.01	.XXX=±.005	RE: RICHCO, INC.	RICHCO INC. PO BOX 804238, CHICAGO, 60680 (773) 539-4060	
B	MAT'L RMS-19 ADDED	JL 04.04.00	FRAC=±1/64			PART #
A	CONVERTED TO ACAD	PB 03.31.95	ANG=±1°			SEE TABLE
REV	DESCRIPTION	ENGR DATE				PRINT TYPE CA