



Chipsmall Limited consists of a professional team with an average of over 10 year of expertise in the distribution of electronic components. Based in Hongkong, we have already established firm and mutual-benefit business relationships with customers from,Europe,America and south Asia,supplying obsolete and hard-to-find components to meet their specific needs.

With the principle of “Quality Parts,Customers Priority,Honest Operation,and Considerate Service”,our business mainly focus on the distribution of electronic components. Line cards we deal with include Microchip,ALPS,ROHM,Xilinx,Pulse,ON,Everlight and Freescale. Main products comprise IC,Modules,Potentiometer,IC Socket,Relay,Connector.Our parts cover such applications as commercial,industrial, and automotives areas.

We are looking forward to setting up business relationship with you and hope to provide you with the best service and solution. Let us make a better world for our industry!



Contact us

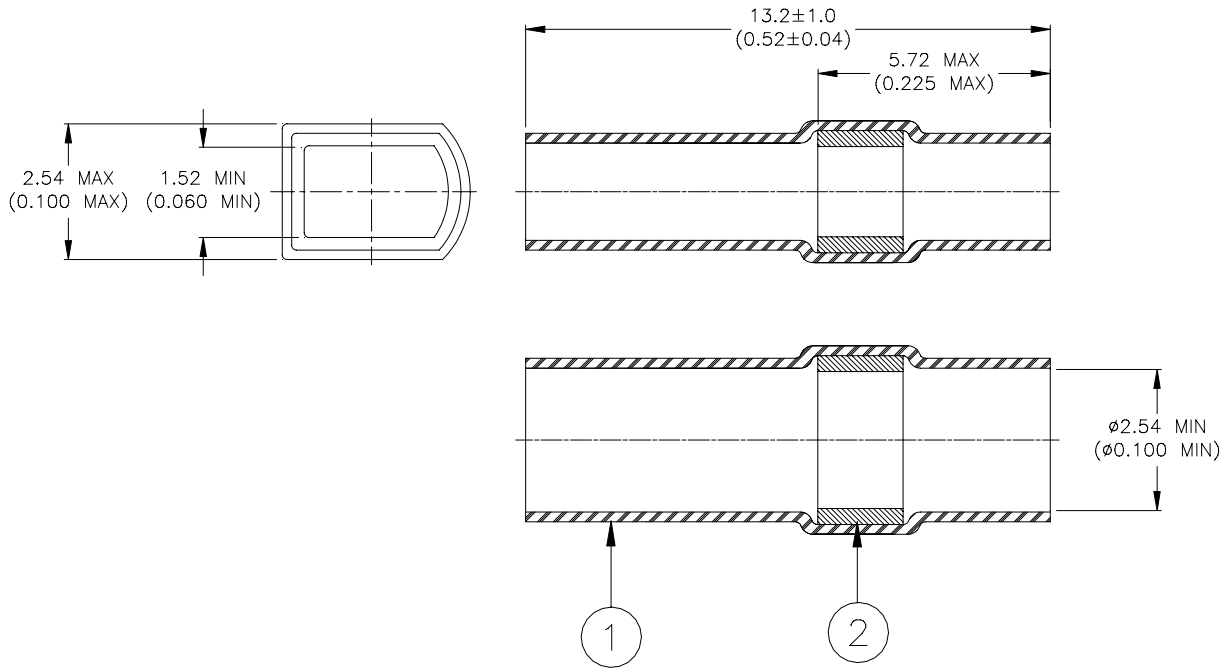
Tel: +86-755-8981 8866 Fax: +86-755-8427 6832

Email & Skype: info@chipsmall.com Web: www.chipsmall.com

Address: A1208, Overseas Decoration Building, #122 Zhenhua RD., Futian, Shenzhen, China



SPECIFICATION CONTROL DRAWING



MATERIALS

1. **INSULATION SLEEVE:** Heat shrinkable, transparent blue, radiation cross-linked modified polyvinylidene fluoride.
2. **SOLDER PREFORM WITH FLUX:**
SOLDER: TYPE Sn63 per ANSI J-STD-006.
FLUX: TYPE ROL1 per ANSI J-STD-004.

APPLICATION

1. This part is designed to be used in conjunction with a Raychem AS-4000 Wire Organization System to attach tin or silver plated wires to connector terminals on 2.54 (0.100) or greater center spacing.
Wire Accommodation:
Single wire:
 Jacket O.D.: 1.52 (0.060) max.
 Wire Gauge: 26 - 20
Connector Terminal:
 Max. Width: 1.52 (0.060)
 Min. Height: 4.45 (0.175)
2. Sleeve will recover to 1.27 (0.050) max. I.D.
3. This drawing forms part of Raychem Devices Specification Control Drawings:
 D-704-0010, 2.54 (0.100) centers.
 D-704-0012, 3.18 (0.125) centers.

tyco / Electronics / Raychem		Wire and Harnessing Products		TITLE : (AS-4000) SOLDERSLEEVE WIRE TERMINATOR			
307 Constitution Drive Menlo Park, CA 94025, USA				DOCUMENT NO.: D-128-0008			
Unless otherwise specified dimensions are in millimeters. Inches dimensions are in between brackets.							
TOLERANCES: 0.00 N/A 0.0 N/A 0 N/A	ANGLES: N/A ROUGHNESS IN MICRON	Tyco Electronics reserves the right to amend this drawing at any time. Users should evaluate the suitability of the product for their application.		DCR NUMBER: D010029	REPLACES: N/A		
DRAWN BY: M. FORONDA	DATE: 08-Feb.-01	PROD. REV. E	DOC ISSUE: 1	SCALE: None	SIZE: A	SHEET: 1 of 1	

If this document is printed it becomes uncontrolled. Check for the latest revision.