



Chipsmall Limited consists of a professional team with an average of over 10 year of expertise in the distribution of electronic components. Based in Hongkong, we have already established firm and mutual-benefit business relationships with customers from,Europe,America and south Asia,supplying obsolete and hard-to-find components to meet their specific needs.

With the principle of “Quality Parts,Customers Priority,Honest Operation,and Considerate Service”,our business mainly focus on the distribution of electronic components. Line cards we deal with include Microchip,ALPS,ROHM,Xilinx,Pulse,ON,Everlight and Freescale. Main products comprise IC,Modules,Potentiometer,IC Socket,Relay,Connector.Our parts cover such applications as commercial,industrial, and automotives areas.

We are looking forward to setting up business relationship with you and hope to provide you with the best service and solution. Let us make a better world for our industry!



## Contact us

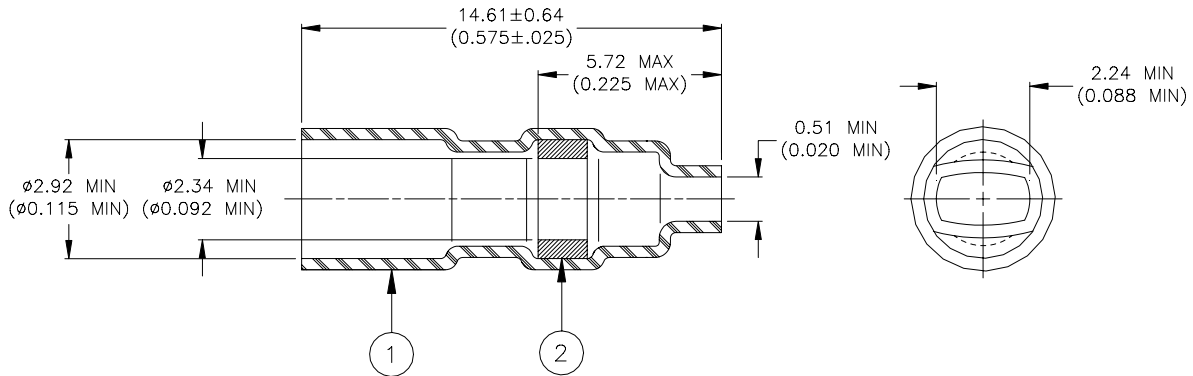
Tel: +86-755-8981 8866 Fax: +86-755-8427 6832

Email & Skype: info@chipsmall.com Web: www.chipsmall.com

Address: A1208, Overseas Decoration Building, #122 Zhenhua RD., Futian, Shenzhen, China



## SPECIFICATION CONTROL DRAWING



### MATERIALS

1. INSULATION SLEEVE: Heat shrinkable, transparent blue, radiation cross-linked polyvinylidene fluoride.
2. SOLDER PREFORM WITH FLUX:  
 SOLDER: TYPE Sn63 per ANSI J-STD-006.  
 FLUX: TYPE ROL1 per ANSI J-STD-004.

### APPLICATION

1. This part will terminate from one to three 22 AWG solder dipped wires.
2. Sleeve will recover to 1.30 (0.050) max. I.D.
3. Temperature rating: 150°C.

<b>tyco / Electronics / Raychem</b> 307 Constitution Drive Menlo Park, CA 94025, USA		<b>Wire and                  Harnessing                  Products</b>		TITLE : <b>SOLDERSLEEVE, PCB CONNECTOR,                  PVC WIRE,                  2.16x0.51x6.35 (0.085x0.020x0.250) TERMINAL</b>			
Unless otherwise specified dimensions are in millimeters. Inches dimensions are in between brackets.				DOCUMENT NO.: <b>D-129-11</b>			
TOLERANCES: 0.00 N/A 0.0 N/A 0 N/A	ANGLES: N/A  ROUGHNESS IN MICRON	Tyco Electronics reserves the right to amend this drawing at any time. Users should evaluate the suitability of the product for their application.		DCR NUMBER: D010034		REPLACES: N/A	
DRAWN BY: M. FORONDA	DATE: 08-Feb.-01	PROD. REV. C	DOC ISSUE: 1	SCALE: None	SIZE: A	SHEET: 1 of 1	

If this document is printed it becomes uncontrolled. Check for the latest revision.