



Chipsmall Limited consists of a professional team with an average of over 10 year of expertise in the distribution of electronic components. Based in Hongkong, we have already established firm and mutual-benefit business relationships with customers from,Europe,America and south Asia,supplying obsolete and hard-to-find components to meet their specific needs.

With the principle of “Quality Parts,Customers Priority,Honest Operation,and Considerate Service”,our business mainly focus on the distribution of electronic components. Line cards we deal with include Microchip,ALPS,ROHM,Xilinx,Pulse,ON,Everlight and Freescale. Main products comprise IC,Modules,Potentiometer,IC Socket,Relay,Connector.Our parts cover such applications as commercial,industrial, and automotives areas.

We are looking forward to setting up business relationship with you and hope to provide you with the best service and solution. Let us make a better world for our industry!



Contact us

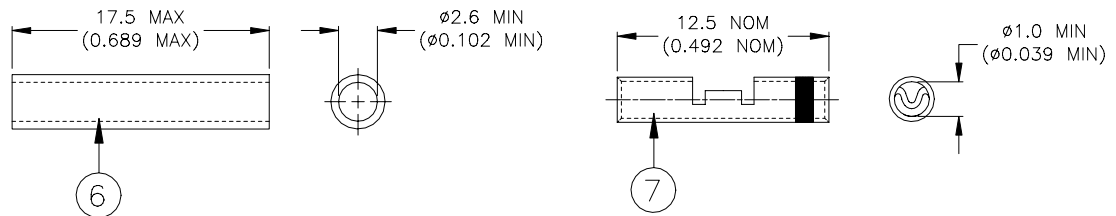
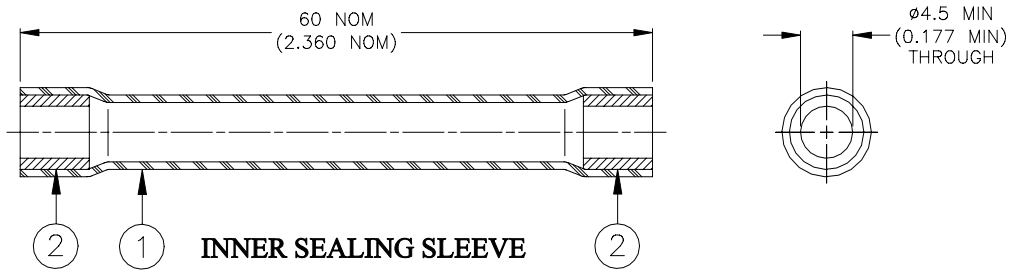
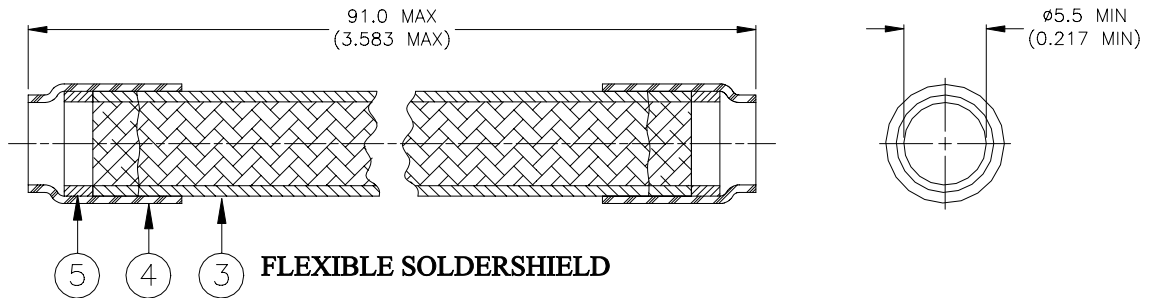
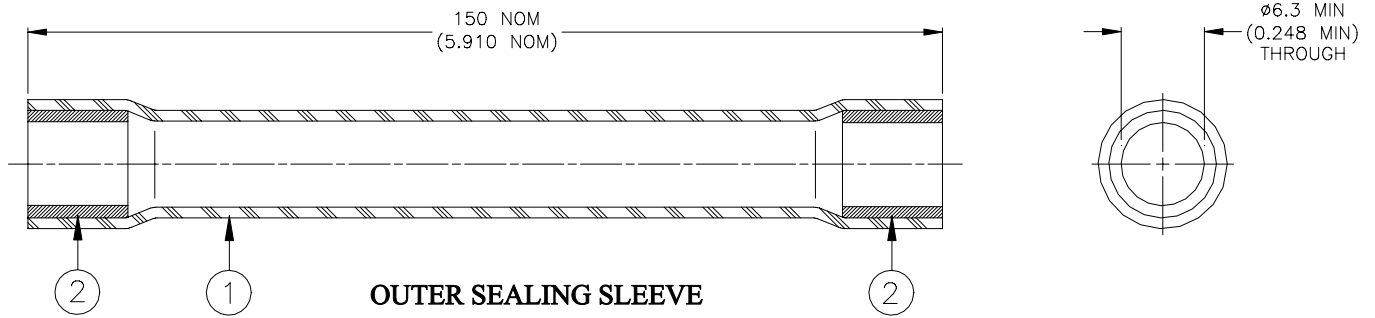
Tel: +86-755-8981 8866 Fax: +86-755-8427 6832

Email & Skype: info@chipsmall.com Web: www.chipsmall.com

Address: A1208, Overseas Decoration Building, #122 Zhenhua RD., Futian, Shenzhen, China



SPECIFICATION CONTROL DRAWING



INSULATION SLEEVE (2/Kit)

CRIMP (2/Kit)

tyco <i>Electronics</i>	Tyco Electronics Corporation 300 Constitution Drive, Menlo Park, CA. 94025, U.S.A.	Raychem	TITLE: Raychem Hi-Spec Flexible Bus Cable Joint MIL-STD-1553B Lightweight System				
Unless otherwise specified dimensions are in millimeters. [Inches dimensions are shown in brackets]			DOCUMENT NO.: D-150-9133				
TOLERANCES: 0.00 N/A 0.0 N/A 0 N/A	ANGLES: N/A ROUGHNESS IN MICRON	Tyco Electronics reserves the right to amend this drawing at any time. Users should evaluate the suitability of the product for their application.		DOC. ISSUE: 1	DATE: 27-Sept-00		
DRAWN BY: M. FORONDA	CAGE CODE: 06090	REPLACES: N/A	DCR NUMBER: D000423	PROD. REV.: F	SCALE: None	SIZE: A	SHEET: 1 of 2

If this document is printed it becomes uncontrolled. Check for the latest revision.

MATERIALS

1. SEALING SLEEVE: High temperature fluid stabilized cross-linked elastomer to Specification RK-6008.
Color: black.
2. MELTABLE RINGS: Modified stabilized elastomer-fluoropolymer thermoplastic.
3. BRAID: Solder impregnated, flux coated, tin plated copper wire braid.
SOLDER: TYPE Sn96 per ANSI J-STD-006.
FLUX: TYPE ROM1 per ANSI-J-STD-004.
4. INSULATION SLEEVE: Heat-shrinkable, transparent blue, radiation cross-linked modified polyvinylidene fluoride.
5. SOLDER PREFORM:
SOLDER: TYPE Sn96 per ANSI J-STD-006.
6. INSULATION SLEEVE: Heat-shrinkable, transparent blue, radiation cross-linked modified polyvinylidene fluoride.
7. CRIMP: Copper Alloy 102 per ASTM B75. Tin plated per MIL-T-10727 Type T. Red stripe code.

APPLICATION

1. This flexible cable joint is designed to facilitate the assembly or maintenance of pre-cabled digital harness components for MIL-STD-1553B networks. It should be used where continuous flexing is not a functional requirement.
2. Cables to be joined, Raychem 10612, 10613, 10614.
3. Minimum bend radius; Static: 80mm. Dynamic: not recommended.
4. Temperature range: -65°C to +150°C. Brief excursions to 200°C permissible without degradation.
5. Designed to meet performance requirements of Raychem Specification HPDS-0519.
6. For installation procedure and tooling, see RPIP-600-12.

DRAWN BY: M. FORONDA	CAGE CODE: 06090	REPLACES: N/A	DCR NUMBER: D000423	PROD. REV.: F	SCALE: None	SIZE: A	SHEET: 2 of 2
-------------------------	---------------------	------------------	------------------------	------------------	----------------	------------	------------------

If this document is printed it becomes uncontrolled. Check for the latest revision.