



Chipsmall Limited consists of a professional team with an average of over 10 year of expertise in the distribution of electronic components. Based in Hongkong, we have already established firm and mutual-benefit business relationships with customers from,Europe,America and south Asia,supplying obsolete and hard-to-find components to meet their specific needs.

With the principle of “Quality Parts,Customers Priority,Honest Operation,and Considerate Service”,our business mainly focus on the distribution of electronic components. Line cards we deal with include Microchip,ALPS,ROHM,Xilinx,Pulse,ON,Everlight and Freescale. Main products comprise IC,Modules,Potentiometer,IC Socket,Relay,Connector.Our parts cover such applications as commercial,industrial, and automotives areas.

We are looking forward to setting up business relationship with you and hope to provide you with the best service and solution. Let us make a better world for our industry!



Contact us

Tel: +86-755-8981 8866 Fax: +86-755-8427 6832

Email & Skype: info@chipsmall.com Web: www.chipsmall.com

Address: A1208, Overseas Decoration Building, #122 Zhenhua RD., Futian, Shenzhen, China



PART NAME ADJUSTABLE SLIDE DRAWER

PART No. D-1722

MATERIAL:

PANEL _____ 12 GA. STEEL
 BODY ASSEMBLY _____ 18 GA. STEEL
 MOUNTING BRACKETS _____ 16 GA. STEEL
 HANDLE _____ ABS

FINISH:

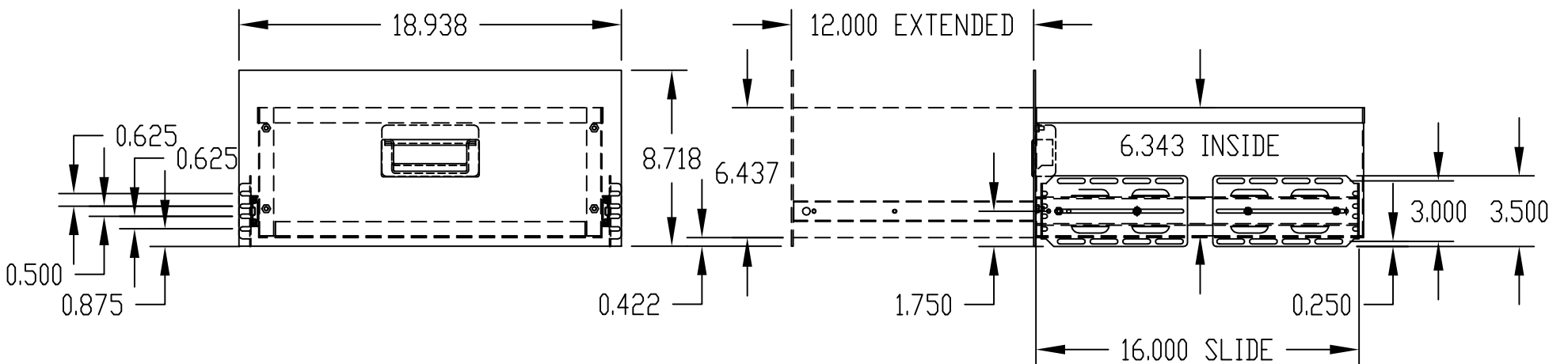
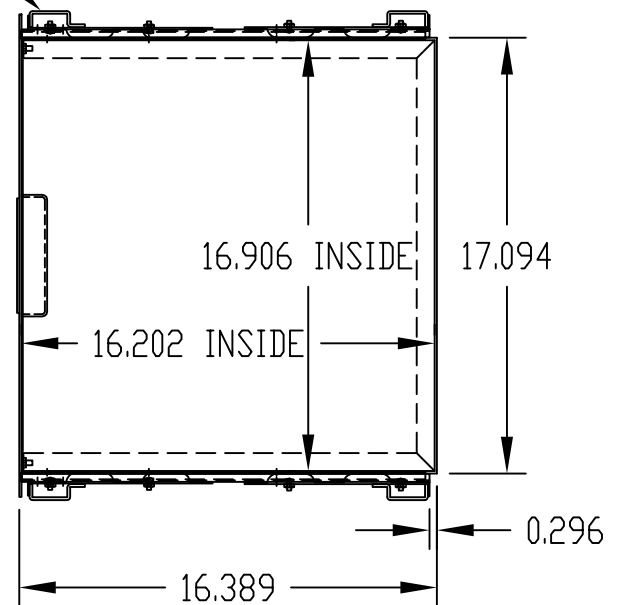
PANEL _____ WHITE TEXTURED
 METALLIC GRAY
 BLACK TEXTURED
 BODY ASSEMBLY _____ BLACK TEXTURED
 MOUNTING BRACKETS _____ SMOOTH BLACK
 HANDLE _____ BLACK

UNIT SHIPPED UNASSEMBLED.

SLIDE TRAVEL 12".

SLIDE LOAD RATING 120 LBS. PER PAIR.

REF. RACK
 PANEL MTG. RAIL



PART NAME ADJUSTABLE SLIDE DRAWER

PART No. D-1723

MATERIAL:

PANEL _____ 12 GA. STEEL
 BODY ASSEMBLY _____ 18 GA. STEEL
 MOUNTING BRACKETS _____ 16 GA. STEEL
 HANDLE _____ ABS

FINISH:

PANEL _____ WHITE TEXTURED
 METALLIC GRAY
 BLACK TEXTURED
 BODY ASSEMBLY _____ BLACK TEXTURED
 MOUNTING BRACKETS _____ SMOOTH BLACK
 HANDLE _____ BLACK

UNIT SHIPPED UNASSEMBLED.

SLIDE TRAVEL 15".

SLIDE LOAD RATING 92 LBS. PER PAIR.

REF. RACK
 PANEL MTG. RAIL

