



Chipsmall Limited consists of a professional team with an average of over 10 year of expertise in the distribution of electronic components. Based in Hongkong, we have already established firm and mutual-benefit business relationships with customers from,Europe,America and south Asia,supplying obsolete and hard-to-find components to meet their specific needs.

With the principle of “Quality Parts,Customers Priority,Honest Operation,and Considerate Service”,our business mainly focus on the distribution of electronic components. Line cards we deal with include Microchip,ALPS,ROHM,Xilinx,Pulse,ON,Everlight and Freescale. Main products comprise IC,Modules,Potentiometer,IC Socket,Relay,Connector.Our parts cover such applications as commercial,industrial, and automotives areas.

We are looking forward to setting up business relationship with you and hope to provide you with the best service and solution. Let us make a better world for our industry!



Contact us

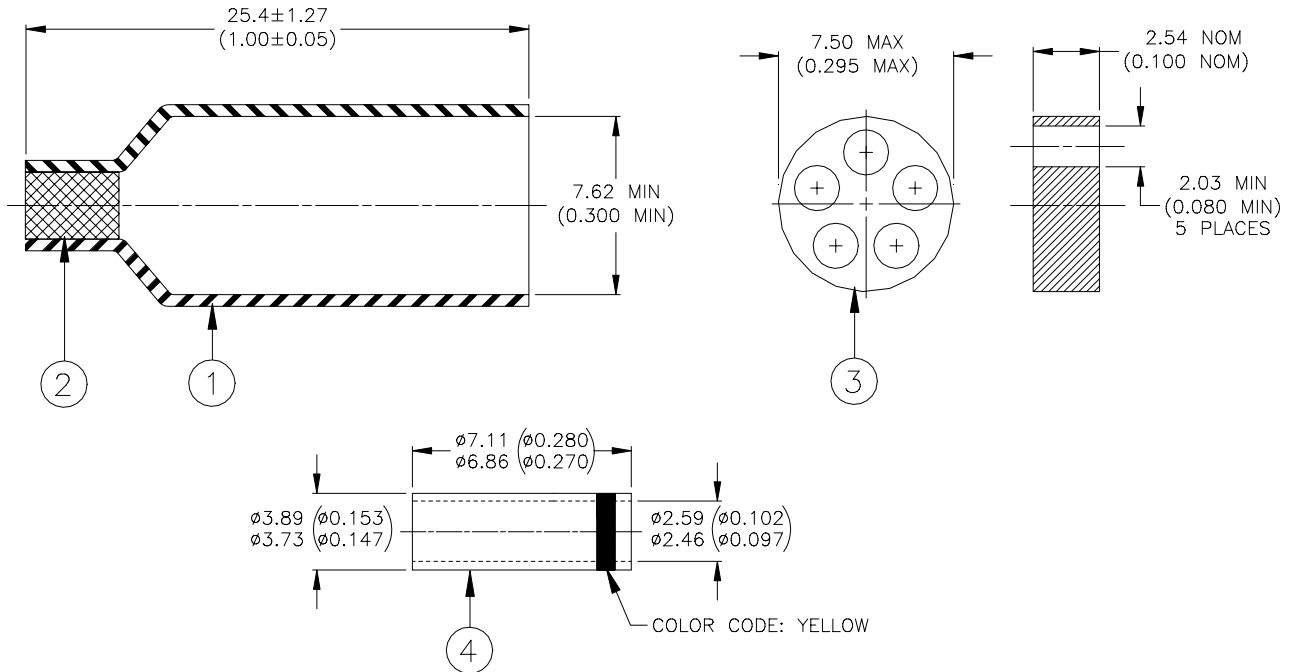
Tel: +86-755-8981 8866 Fax: +86-755-8427 6832

Email & Skype: info@chipsmall.com Web: www.chipsmall.com

Address: A1208, Overseas Decoration Building, #122 Zhenhua RD., Futian, Shenzhen, China



SPECIFICATION CONTROL DRAWING



MATERIALS

1. INSULATION SLEEVE: Heat-shrinkable, transparent blue, radiation cross-linked modified polyvinylidene fluoride.
2. TOP SEAL: Low outgassing thermoplastic, color-blue.
3. MULTI-CONDUCTOR SEAL: Low outgassing thermoplastic, color-natural.
4. CRIMP SPLICE: Base Metal: Copper Alloy 102 per ASTM B-75.
Plating: Tin per MIL-T-10727, Type 1.
CMA Range: 1900 - 6755

APPLICATION

1. This part is designed to make an immersion resistant stub splice in wires having insulations rated for at least 135°C.
2. Wire Accomodation:
Jacket O.D.: 2.01 (0.079) max

Gauge	CMA	Number
16	2426	2
18	1919	2 - 3
20	1216	2 - 5
22	754	3 - 5
3. Parts will meet performance requirements of MIL-S-81824/1.

Raychem Interconnect <small>a division of Tyco Electronics</small> 300 Constitution Drive Menlo Park, CA 94025, USA		THERMOFIT DEVICES	TITLE: (5 at 2.03 (0.080)) STUB SPLICE SEALING SYSTEM, 16/12 SPLICE			
UNLESS OTHERWISE SPECIFIED DIMENSIONS ARE IN MILLIMETERS. INCHES DIMENSIONS ARE BETWEEN BRACKETS.			DOCUMENT NO.: D-436-0127			
TOLERANCES: 0.00 N/A 0.0 N/A 0 N/A	ANGLES: N/A ROUGHNESS IN MICRON	Raychem reserves the right to amend this drawing at any time. Users should evaluate the suitability of the product for their application.	DCR NUMBER: D001279		REPLACES: N/A	
DRAWN BY: M. FORONDA	DATE: 14-Nov.-00	PROD. REV. C	DOC ISSUE: 1	SCALE: None	SIZE: A	SHEET: 1 of 1

If this document is printed it becomes uncontrolled. Check for the latest revision.