



Chipsmall Limited consists of a professional team with an average of over 10 year of expertise in the distribution of electronic components. Based in Hongkong, we have already established firm and mutual-benefit business relationships with customers from,Europe,America and south Asia,supplying obsolete and hard-to-find components to meet their specific needs.

With the principle of “Quality Parts,Customers Priority,Honest Operation,and Considerate Service”,our business mainly focus on the distribution of electronic components. Line cards we deal with include Microchip,ALPS,ROHM,Xilinx,Pulse,ON,Everlight and Freescale. Main products comprise IC,Modules,Potentiometer,IC Socket,Relay,Connector.Our parts cover such applications as commercial,industrial, and automotives areas.

We are looking forward to setting up business relationship with you and hope to provide you with the best service and solution. Let us make a better world for our industry!



Contact us

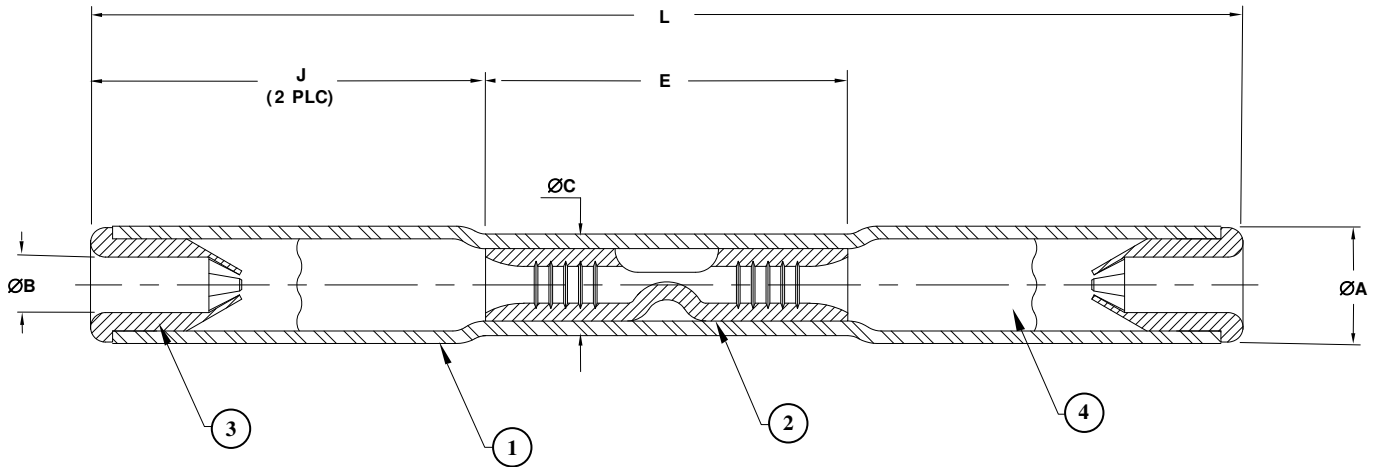
Tel: +86-755-8981 8866 Fax: +86-755-8427 6832

Email & Skype: info@chipsmall.com Web: www.chipsmall.com

Address: A1208, Overseas Decoration Building, #122 Zhenhua RD., Futian, Shenzhen, China



CUSTOMER DRAWING




PART NUMBER	WIRE RANGE	L ± 1.0 (±0.040)	ØA ± 0.5 (±0.020)	ØB ± 0.25 (±0.010)	ØC ± 0.5 (±0.020)	E ± 0.25 (±0.010)	J ± 0.50 (±0.020)	END CAP COLOR CODE (BOTH ENDS)
D-436-36-COLD	26-24-22-20	36.8 (1.450)	4.2 (0.165)	2.0 (0.080)	3.7 (0.145)	12.1 (0.475)	12.7 (0.500)	RED
D-436-37-COLD	18-16	37.7 (1.484)	5.1 (0.200)	2.9 (0.115)	4.5 (0.175)	14.3 (0.565)	11.8 (0.464)	BLUE
D-436-38-COLD	14-12	37.7 (1.484)	5.9 (0.235)	3.8 (0.150)	5.2 (0.205)	14.3 (0.565)	11.8 (0.464)	YELLOW

MATERIALS

- INSULATION SLEEVE: Heat-shrinkable, transparent clear, radiation cross-linked modified polyvinylidene fluoride.
- CRIMP:
Base Metal: Copper Alloy 101 or 102 per ASTM B-75, Annealed
Plating: Tin-plate per ASTM-B545
- END CAPS: Thermoplastic, Color Coded (See Table)
- GEL: Clear silicone based Gel.

APPLICATION

- These parts are designed to provide immersion resistant in-line splices of 1 to 1 wires falling within size range listed above, and having insulations rated for 105°C.
- Crimp splices using a Tyco Electronics AD-1381 Crimp Tool.
- Install Cold Crimp Splices per Tyco Electronics RPIP-1102.
- This document takes precedence over documents reference herein.
- Temperature range: -65°C to +150°C.

 TE AEROSPACE, DEFENSE & MARINE		300 Constitution Dr Menlo Park, CA 94025, U.S.A.		TITLE: IMMERSION RESISTANT CRIMP SPLICE 150 DEG C, ROHS COMPLIANT COLD APPLIED SPLICE				
Unless otherwise specified dimensions are in millimeters. [Inches dimensions are shown in brackets]			Raychem Devices		DOCUMENT NO.: D-436-3X-COLD			
TOLERANCES: 0.00 N/A 0.0 N/A 0 N/A	ANGLES: N/A ROUGHNESS IN MICRON	Tyco Electronics reserves the right to amend this drawing at any time. Users should evaluate the suitability of the product for their application.			REV: B		DATE: March 10, 2011	
REVISED BY: UNGUYEN	CAGE CODE: 06090	ECO NUMBER: ECO-11-004984		SCALE: NTS		SIZE: A	SHEET: 1 of 1	

© 2010-2011 Tyco Electronics Corporation. All rights reserved.

If this document is printed it becomes uncontrolled. Check for the latest revision.