



Chipsmall Limited consists of a professional team with an average of over 10 year of expertise in the distribution of electronic components. Based in Hongkong, we have already established firm and mutual-benefit business relationships with customers from,Europe,America and south Asia,supplying obsolete and hard-to-find components to meet their specific needs.

With the principle of “Quality Parts,Customers Priority,Honest Operation,and Considerate Service”,our business mainly focus on the distribution of electronic components. Line cards we deal with include Microchip,ALPS,ROHM,Xilinx,Pulse,ON,Everlight and Freescale. Main products comprise IC,Modules,Potentiometer,IC Socket,Relay,Connector.Our parts cover such applications as commercial,industrial, and automotives areas.

We are looking forward to setting up business relationship with you and hope to provide you with the best service and solution. Let us make a better world for our industry!



## Contact us

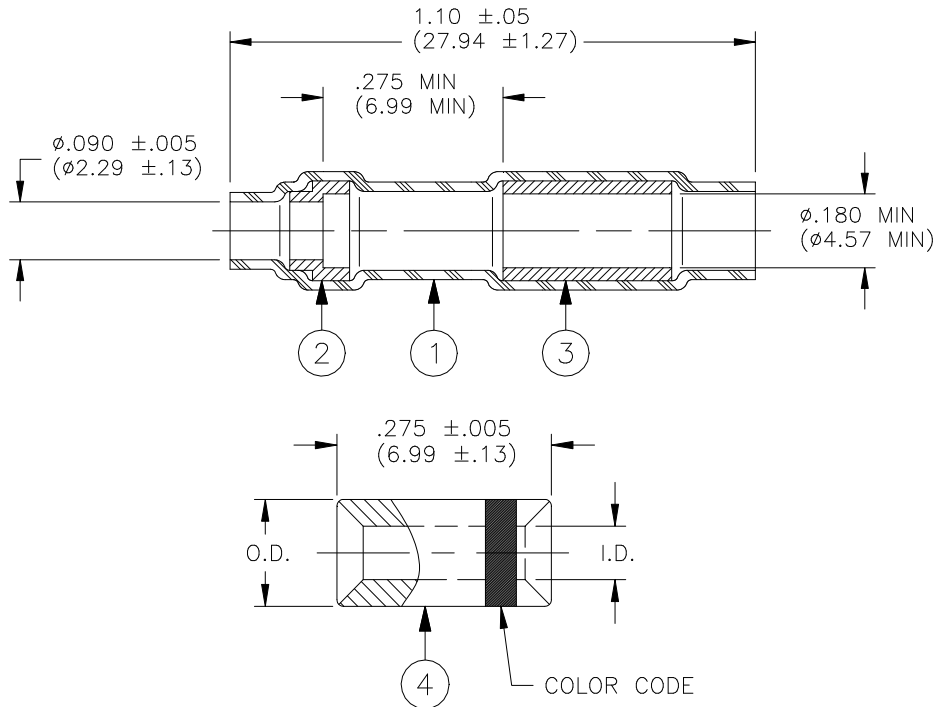
Tel: +86-755-8981 8866 Fax: +86-755-8427 6832

Email & Skype: info@chipsmall.com Web: www.chipsmall.com

Address: A1208, Overseas Decoration Building, #122 Zhenhua RD., Futian, Shenzhen, China



## CUSTOMER DRAWING



Dimensions Of Sub Splicer				I.D.		O.D.	
Product Name	Color Code	Max. Weight	CMA Range	min	max	min	max
D-436-58	Blue	1.4 lbs/Mpcs	779-2680	1.63 (0.064)	1.75 (0.069)	2.57 (0.101)	2.69 (0.106)
D-436-59	Yellow	1.8 lbs/Mpcs	1900-6755	2.46 (0.097)	2.59 (0.102)	3.73 (0.147)	3.89 (0.153)

### MATERIAL

1. INSULATION SLEEVE: Heat-shrinkable, radiation cross-linked modified polyvinylidene fluoride. Transparent blue.
2. MELTABLE SEALING INSERT: Modified, immersion resistant thermoplastic. Color: natural.
3. MELTABLE SEALING INSERT: Modified, immersion resistant thermoplastic. Color: natural.
4. SEAMLESS STUB SPLICER:

BASE METAL: Copper alloy 101 or 102 per WW-T-775.

PLATING: Tin per MIL-T-10727, Type 1.

### APPLICATION

1. These parts are designed to provide an immersion resistant 2 wire stub splice, or a 2 to 1 parallel splice, made with having insulations rated for 135°C minimum.
2. Recovered dimensions of insulation sleeve (Item1):  
I.D.: .095 (2.4130) Max.  
Wall: .013 (0.3302) Min.
3. For installation procedures refer to Tyco Electronics/Raychem's "Miniseal D-436 Series Sealed Crimp Splice Products Installation Guidelines."

		300 Constitution Dr Menlo Park, CA 94025, U.S.A.		TITLE: <b>STUB SPLICE SEALING SYSTEM</b>		
		Unless otherwise specified dimensions are in millimeters. [Inches dimensions are shown in brackets]		Raychem Devices		DOCUMENT NO.: <b>D-436-58/-59</b>
TOLERANCES: 0.00 N/A 0.0 N/A 0 N/A	ANGLES: N/A  ROUGHNESS IN MICRON	Tyco Electronics reserves the right to amend this drawing at any time. Users should evaluate the suitability of the product for their application.		REV: <b>J</b>	DATE: <b>November 3, 2010</b>	
REVISED BY: <b>UNGUYEN</b>	CAGE CODE: <b>06090</b>			ECO NUMBER: <b>ECO-10-022537</b>	SCALE: <b>NTS</b>	SIZE: <b>A</b>

© 2004-2009 Tyco Electronics Corporation. All rights reserved.

If this document is printed it becomes uncontrolled. Check for the latest revision.