



Chipsmall Limited consists of a professional team with an average of over 10 year of expertise in the distribution of electronic components. Based in Hongkong, we have already established firm and mutual-benefit business relationships with customers from,Europe,America and south Asia,supplying obsolete and hard-to-find components to meet their specific needs.

With the principle of “Quality Parts,Customers Priority,Honest Operation,and Considerate Service”,our business mainly focus on the distribution of electronic components. Line cards we deal with include Microchip,ALPS,ROHM,Xilinx,Pulse,ON,Everlight and Freescale. Main products comprise IC,Modules,Potentiometer,IC Socket,Relay,Connector.Our parts cover such applications as commercial,industrial, and automotives areas.

We are looking forward to setting up business relationship with you and hope to provide you with the best service and solution. Let us make a better world for our industry!



## Contact us

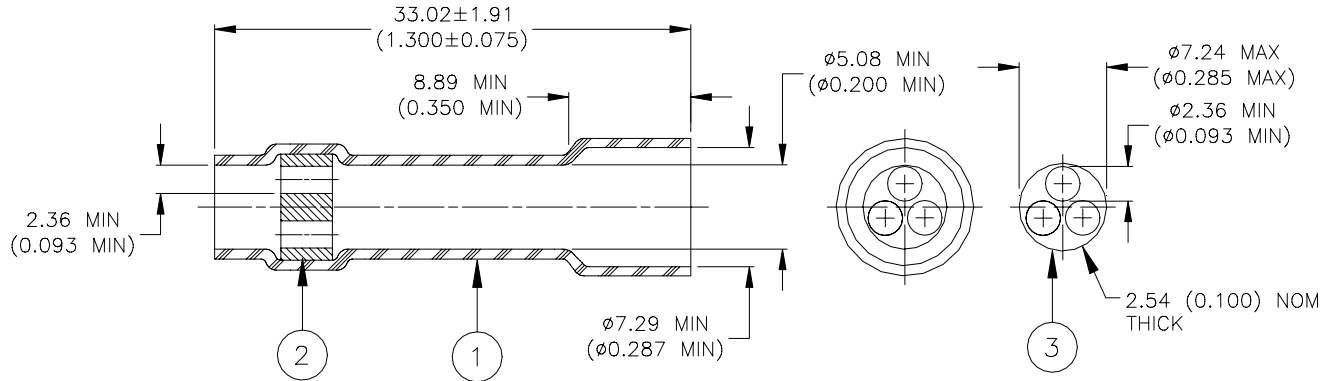
Tel: +86-755-8981 8866 Fax: +86-755-8427 6832

Email & Skype: info@chipsmall.com Web: www.chipsmall.com

Address: A1208, Overseas Decoration Building, #122 Zhenhua RD., Futian, Shenzhen, China



# SPECIFICATION CONTROL DRAWING




## MATERIALS

1. INSULATION SLEEVE: Heat-shrinkable, transparent blue, radiation cross-linked modified polyvinylidene fluoride.
2. INTEGRAL THREE WIRE SEAL: Immersion resistant thermoplastic.
3. SEPARATE THREE WIRE SEAL: Immersion resistant thermoplastic.

## APPLICATION

1. This part is designed to provide an immersion resistant seal on 2 or 3 to 2 or 3 splices made with Raychem D-609 series crimp splices in wires having insulations rated for 125°C min.
2. Sealing sleeve shall consist of an insulation sleeve with an integral seal and a separate three wire seal.
3. This part will meet the requirements of MIL-S-81824.

 307 Constitution Drive Menlo Park, CA 94025, USA		<b>Wire and Harnessing Products</b>	TITLE: <b>SEALING SLEEVE, MULTI-WIRE SPLICE WITH SEPARATE THREE WIRE SEAL</b>				
Unless otherwise specified dimensions are in millimeters. Inches dimensions are in between brackets.			DOCUMENT NO.: <b>D-436-95</b>				
TOLERANCES: 0.00 N/A 0.0 N/A 0 N/A	ANGLES: N/A  ROUGHNESS IN MICRON	Tyco Electronics reserves the right to amend this drawing at any time. Users should evaluate the suitability of the product for their application.	DCR NUMBER: D010336	REPLACES: N/A			
DRAWN BY: M. FORONDA	DATE: 8-May-01	PROD. REV. F	DOC ISSUE: 0	SCALE: None	SIZE: A	SHEET: 1 of 1	

If this document is printed it becomes uncontrolled. Check for the latest revision.