



Chipsmall Limited consists of a professional team with an average of over 10 year of expertise in the distribution of electronic components. Based in Hongkong, we have already established firm and mutual-benefit business relationships with customers from,Europe,America and south Asia,supplying obsolete and hard-to-find components to meet their specific needs.

With the principle of “Quality Parts,Customers Priority,Honest Operation,and Considerate Service”,our business mainly focus on the distribution of electronic components. Line cards we deal with include Microchip,ALPS,ROHM,Xilinx,Pulse,ON,Everlight and Freescale. Main products comprise IC,Modules,Potentiometer,IC Socket,Relay,Connector.Our parts cover such applications as commercial,industrial, and automotives areas.

We are looking forward to setting up business relationship with you and hope to provide you with the best service and solution. Let us make a better world for our industry!



Contact us

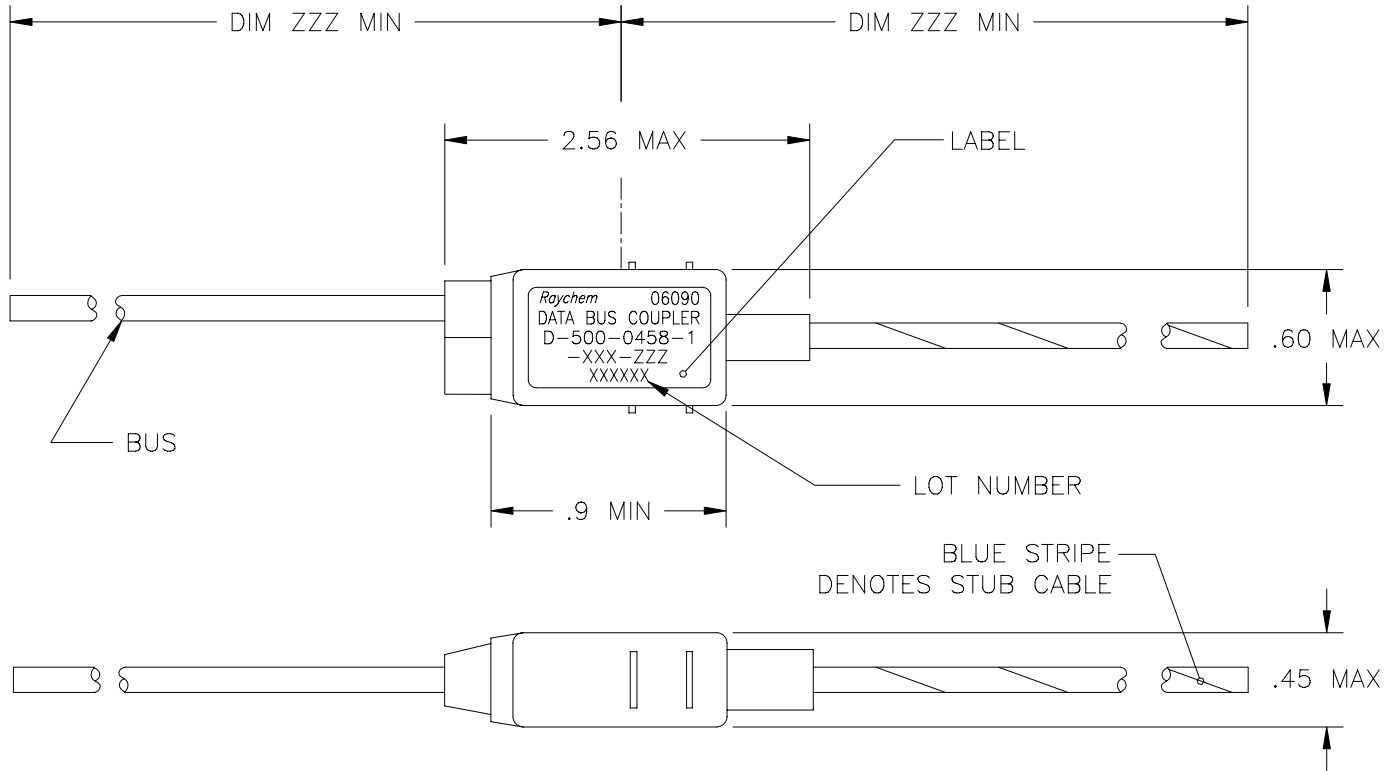
Tel: +86-755-8981 8866 Fax: +86-755-8427 6832

Email & Skype: info@chipsmall.com Web: www.chipsmall.com

Address: A1208, Overseas Decoration Building, #122 Zhenhua RD., Futian, Shenzhen, China



REVISION		
REV	DESCRIPTION	DATE
B	REVISED PER DCR NUMBER T31572	6/12/03



COMPONENT NUMBER	BUS CABLE	STUB CABLE
D-500-0458-1-612-ZZZ	10612-24-9	10612-24-96
D-500-0458-1-613-ZZZ	10613-24-9	10613-24-96
D-500-0458-1-614-ZZZ	10614-24-9	10614-24-96

PART NO. D-500-045X-1-XXX-ZZZ

SCHEMATIC ————

8=INTERNAL TERMINATOR (AS SHOWN)
REVERSE CONFIGURATION

1=SINGLE STUB ————

LENGTH OF CABLE (INCHES)

CABLE
612=10612
613=10613
614=10614

If this document is printed it becomes uncontrolled.
Check for the latest revision.

SPECIFICATION CONTROL DRAWING

UNLESS OTHERWISE SPECIFIED DIMENSIONS ARE INCHES. METRIC DIMENSIONS ARE IN BRACKETS. DECIMAL TOLERANCES .XXX ± --- [--- mm] .XX ± --- [--- mm] .X ± --- [--- mm] ANGLE TOLERANCE .X ± --- WEIGHT SEE NOTES	DRAWN Z.Teman	DATE 4/15/97		Tyco Electronics 300 CONSTITUTION DRIVE MENLO PARK, CALIFORNIA 94025 USA	Raychem
	MATERIAL FINISH THIRD ANGLE PROJECTION			TITLE DATABUS MICROCOUPLER SINGLE STUB IN-LINE, 04 SERIES, REVERSE WITH INTERNAL BUS TERMINATOR	
CAD FILE T31572A	SIZE A		CODE IDENT. NO. 06090	DWG. NO. D-500-0458-1-XXX-ZZZ	
DO NOT SCALE THIS DRAWING				SHEET 1 OF 2	

1. MATERIAL AND FINISHES:

1.1 INTERNAL COMPONENTS:

1.1.1 -TRANSFORMER TO MIL-PRF-21038 AND MIL-STD-1553B

1.1.2 -RESISTORS, ISOLATION PER MIL-PRF-39007/9, 57.6 OHMS (R1)

1.1.3 -RESISTORS, TERMINATION PER MIL-PRF-39007/9, 76.8 OHMS (R2)

1.2 SHIELDED CASE: ALUMINUM PER ASTM-B618

1.3 SEALED STRAIN RELIEF COVER: MODIFIED CROSS-LINKED ELASTOMER, BLACK, TO RAYCHEM SPECIFICATION RK-6713.

1.4 CABLE TYPE PER RAYCHEM SPECIFICATION 1200 (SEE PART NO. ON SHEET 1).

2. APPLICATION:

2.1 THIS COUPLER IS DESIGNED TO BE INSTALLED AS A DIGITAL MULTIPLEX ASSEMBLY MEETING THE REQUIREMENTS OF MIL-STD-1553B.

2.2 FOR CABLE SPLICING USE FLEXIBLE SPLICE KIT D-150-0708-5 (NOT SUPPLIED).

2.3 CABLE BEND RADIUS PER SAE-AS50881 STATIC BEND: 5 x CABLE O.D. MIN.

DYNAMIC BEND: 10 x CABLE O.D. MIN.

3. TEMPERATURE:

3.1 OPERATING TEMPERATURE: -65°C TO +150°C

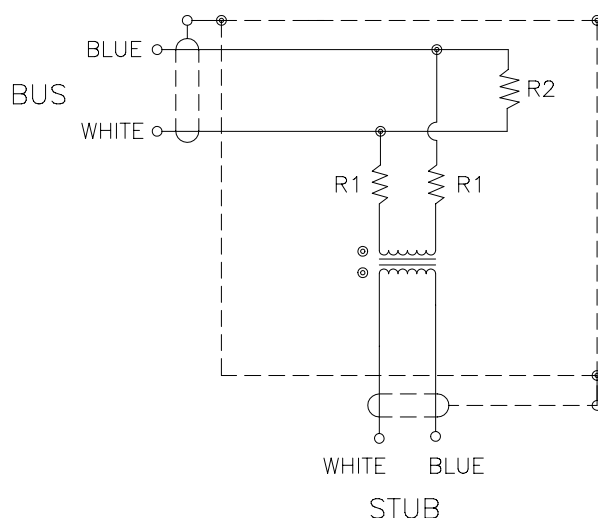
4. PERFORMANCE SPECIFICATIONS:

4.1 TRANSFORMER MEETS THE PERFORMANCE REQUIREMENTS OF MIL-STD-1553B.

4.2 COUPLER MEETS THE PERFORMANCE REQUIREMENTS OF RAYCHEM SPECIFICATION D-6020.

5. WEIGHT:

5.1 MAXIMUM WEIGHT WITHOUT CABLE: 10 GRAMS MAX.

ONE STUB COUPLER SCHEMATIC

SPECIFICATION CONTROL DRAWING

DRAWN	ZET	DATE	4/15/97	SIZE	CODE IDENT. NO.	DWG. NO.	REV
CAD FILE	T31572B	tyco		A	06090	D-500-0458-1-XXX-ZZZ	B
		Electronics		DO NOT SCALE THIS DRAWING			SHEET 2 OF 2