



Chipsmall Limited consists of a professional team with an average of over 10 year of expertise in the distribution of electronic components. Based in Hongkong, we have already established firm and mutual-benefit business relationships with customers from,Europe,America and south Asia,supplying obsolete and hard-to-find components to meet their specific needs.

With the principle of “Quality Parts,Customers Priority,Honest Operation,and Considerate Service”,our business mainly focus on the distribution of electronic components. Line cards we deal with include Microchip,ALPS,ROHM,Xilinx,Pulse,ON,Everlight and Freescale. Main products comprise IC,Modules,Potentiometer,IC Socket,Relay,Connector.Our parts cover such applications as commercial,industrial, and automotives areas.

We are looking forward to setting up business relationship with you and hope to provide you with the best service and solution. Let us make a better world for our industry!



## Contact us

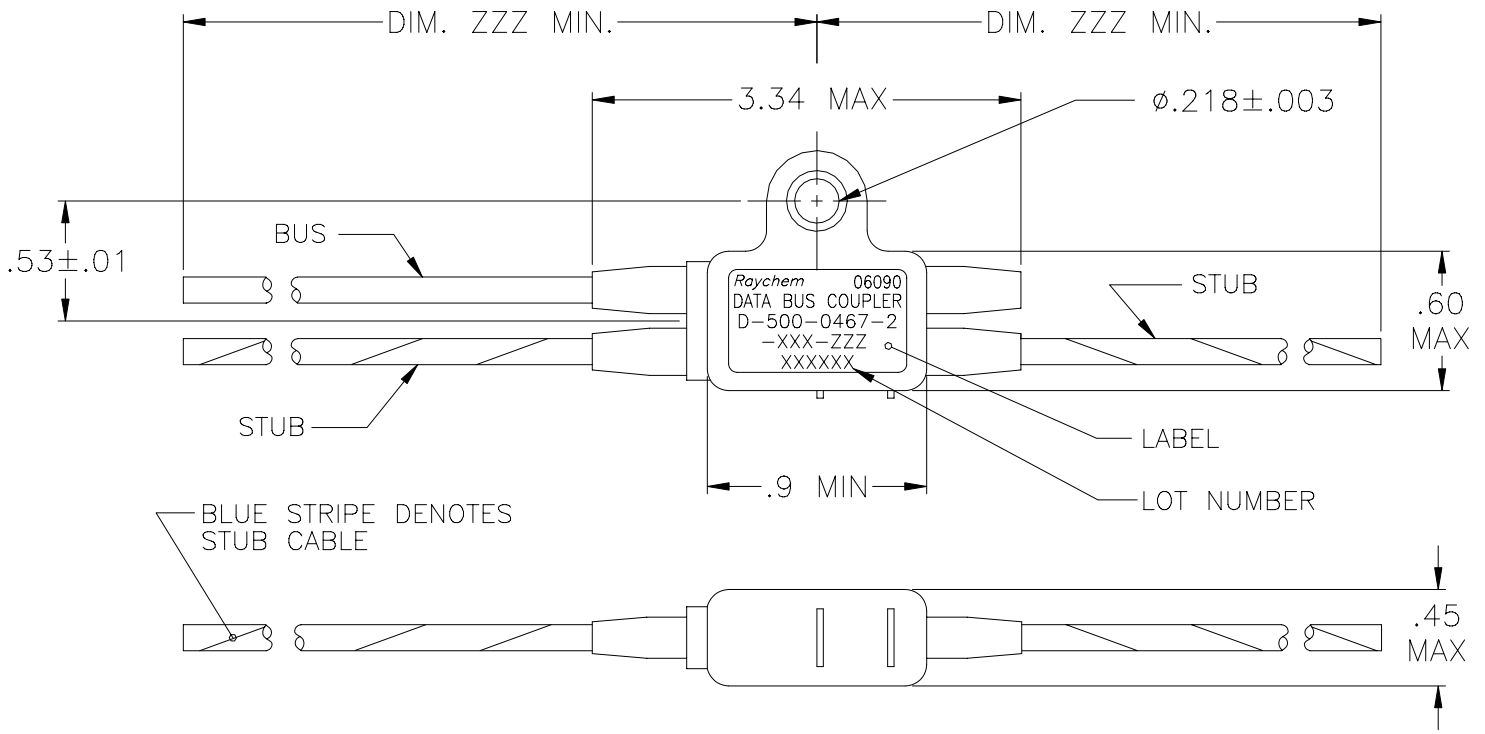
Tel: +86-755-8981 8866 Fax: +86-755-8427 6832

Email & Skype: info@chipsmall.com Web: www.chipsmall.com

Address: A1208, Overseas Decoration Building, #122 Zhenhua RD., Futian, Shenzhen, China



REVISION		
REV	DESCRIPTION	DATE
A	REVISED PER DCR NUMBER T31577	6/12/03



COMPONENT NUMBER	BUS CABLE	STUB CABLE
D-500-0467-2-612-ZZZ	10612-24-9	10612-24-96
D-500-0467-2-613-ZZZ	10613-24-9	10613-24-96
D-500-0467-2-614-ZZZ	10614-24-9	10614-24-96

PART NO. D-500-0467-2-XXX-ZZZ

SCHEMATIC  
7=TERMINATOR (AS SHOWN)

2=DOUBLE STUB

LENGTH OF CABLE (INCHES)

CABLE  
612=10612 (SINGLE OPTIMIZED BRAID)  
613=10613 (DOUBLE OPTIMIZED BRAID)  
614=10614 (EMP HARDENED)

If this document is printed it becomes uncontrolled.  
Check for the latest revision.

SPECIFICATION CONTROL DRAWING		
<b>tyco</b> <b>Electronics</b>	Tyco Electronics 300 CONSTITUTION DRIVE MENLO PARK, CALIFORNIA 94025 USA	<b>Raychem</b>
TITLE DATABUS MICROCOUPLER, TWO STUB, IN-LINE 04 SERIES W/BUS TERMINATOR & MOUNTING LUG		
SIZE A	CODE IDENT. NO. 06090	DWG. NO. D-500-0467-2-XXX-ZZZ
DO NOT SCALE THIS DRAWING		SHEET 1 OF 2

UNLESS OTHERWISE SPECIFIED DIMENSIONS ARE INCHES. METRIC DIMENSIONS ARE IN BRACKETS.

DECIMAL TOLERANCES  
.XXX ± --- [ --- mm]  
.XX ± --- [ --- mm]  
.X ± --- [ --- mm]

ANGLE TOLERANCE  
.X ± ---

WEIGHT  
SEE NOTES

CAD FILE  
T31577A

DRAWN  
D.PIQUE

DATE  
95AUG25

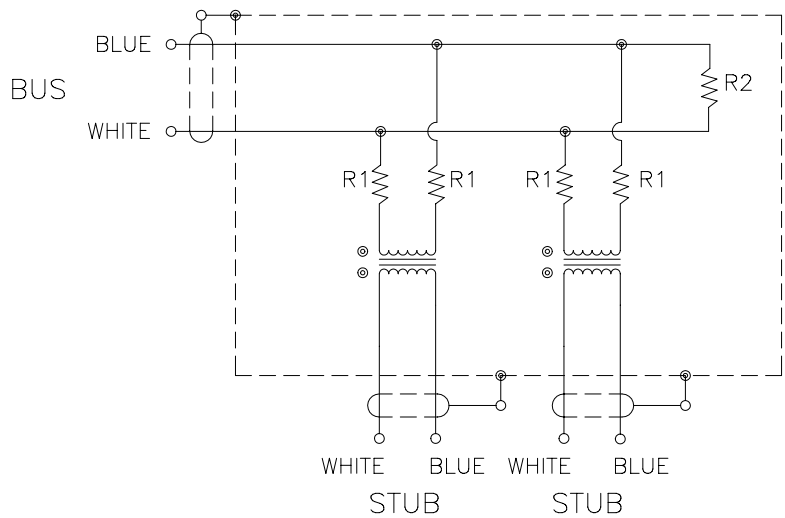
MATERIAL

FINISH

THIRD ANGLE PROJECTION

1. MATERIAL AND FINISHES:
  - 1.1 INTERNAL COMPONENTS:
    - 1.1.1 -TRANSFORMER TO MIL-PRF-21038 AND MIL-STD-1553B
    - 1.1.2 -RESISTORS, ISOLATION PER MIL-PRF-39007/9, 57.6 OHMS (R1)
    - 1.1.3 -RESISTOR, TERMINATION PER MIL-PRF-39007/9, 76.8 OHMS (R2)
  - 1.2 SHIELDED CASE: ALUMINUM PER ASTM-B618
  - 1.3 SEALED STRAIN RELIEF COVER: MODIFIED CROSS-LINKED ELASTOMER, BLACK, TO RAYCHEM SPECIFICATION RK-6713.
  - 1.4 CABLE TYPE PER RAYCHEM SPECIFICATION 1200 (SEE PART NO. ON SHEET 1).
2. APPLICATION:
  - 2.1 THIS COUPLER IS DESIGNED TO BE INSTALLED INTO A DIGITAL MULTIPLEX ASSEMBLY MEETING THE REQUIREMENTS OF MIL-STD-1553B.
  - 2.2 FOR CABLE SPLICING USE FLEXIBLE SPLICE KIT D-150-0708-5 (NOT SUPPLIED)
  - 2.3 CABLE BEND RADIUS PER SAE-AS50881 STATIC BEND: 5 x CABLE O.D. MIN.  
DYNAMIC BEND: 10 x CABLE O.D. MIN.
3. TEMPERATURE:
  - 3.1 OPERATING TEMPERATURE: -65°C TO +150°C
4. PERFORMANCE SPECIFICATIONS:
  - 4.1 TRANSFORMER MEETS THE PERFORMANCE REQUIREMENTS OF MIL-STD-1553B.
  - 4.2 COUPLER MEETS THE PERFORMANCE REQUIREMENTS OF RAYCHEM SPECIFICATION D-6020.
5. WEIGHT:
  - 5.1 MAXIMUM WEIGHT WITHOUT CABLE: 15 GRAMS MAX.

TWO STUB COUPLER SCHEMATIC



If this document is printed it becomes uncontrolled.  
Check for the latest revision.

SPECIFICATION CONTROL DRAWING

DRAWN DCP	DATE 95AUG25	SIZE A	CODE IDENT. NO. 06090	DWG. NO. D-500-0467-2-XXX-ZZZ	REV A
CAD FILE T31577B	<b>tyco</b> <b>Electronics</b>		DO NOT SCALE THIS DRAWING		SHEET 2 OF 2