



Chipsmall Limited consists of a professional team with an average of over 10 year of expertise in the distribution of electronic components. Based in Hongkong, we have already established firm and mutual-benefit business relationships with customers from,Europe,America and south Asia,supplying obsolete and hard-to-find components to meet their specific needs.

With the principle of “Quality Parts,Customers Priority,Honest Operation,and Considerate Service”,our business mainly focus on the distribution of electronic components. Line cards we deal with include Microchip,ALPS,ROHM,Xilinx,Pulse,ON,Everlight and Freescale. Main products comprise IC,Modules,Potentiometer,IC Socket,Relay,Connector.Our parts cover such applications as commercial,industrial, and automotives areas.

We are looking forward to setting up business relationship with you and hope to provide you with the best service and solution. Let us make a better world for our industry!



## Contact us

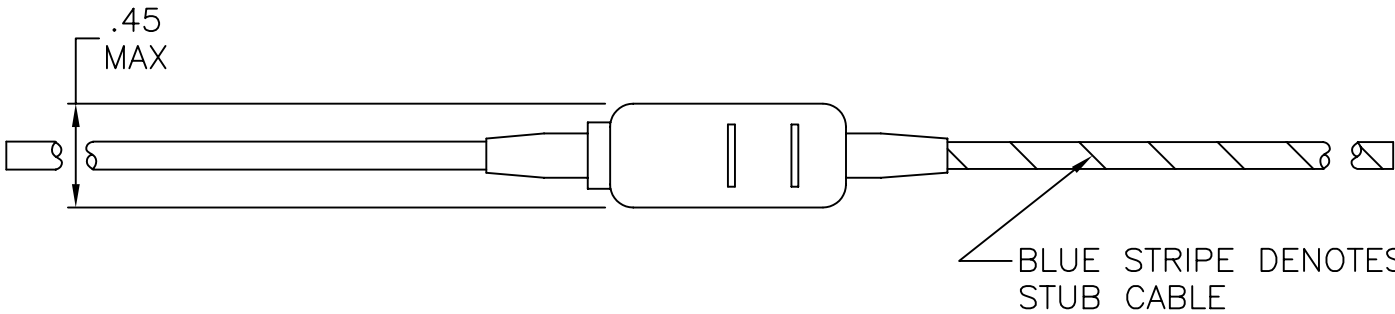
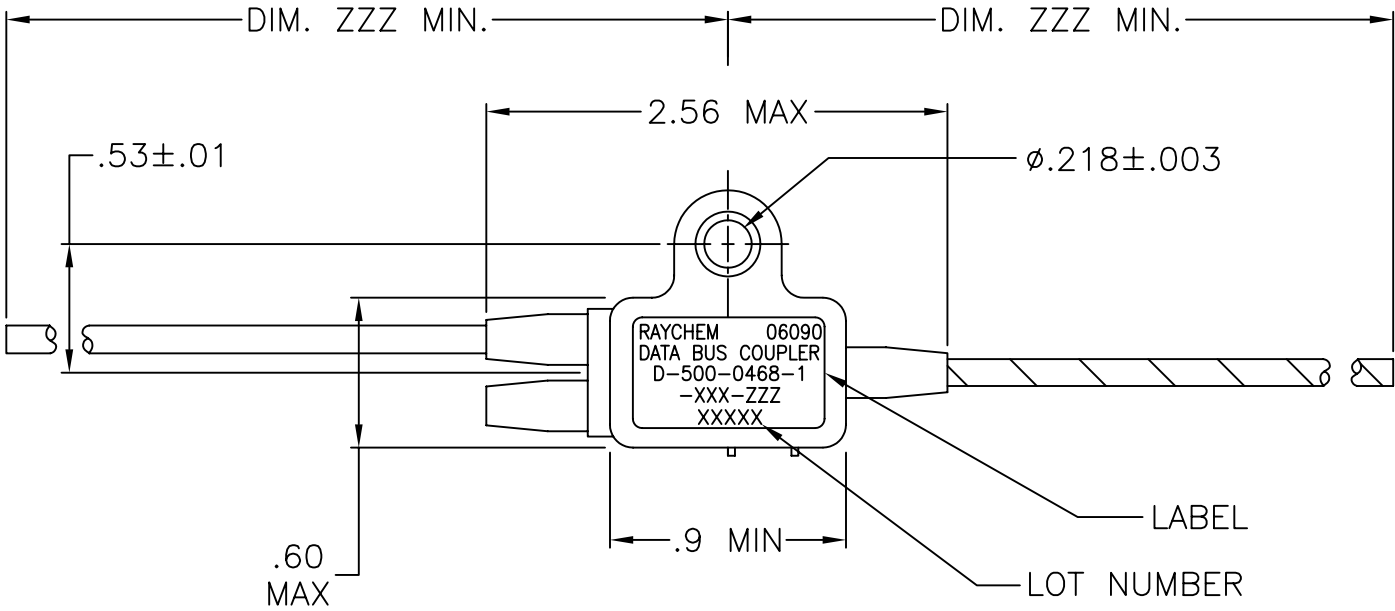
Tel: +86-755-8981 8866 Fax: +86-755-8427 6832

Email & Skype: info@chipsmall.com Web: www.chipsmall.com

Address: A1208, Overseas Decoration Building, #122 Zhenhua RD., Futian, Shenzhen, China



REVISION		
REV	DESCRIPTION	DATE
B	REVISED DCR PER DCR NO. C050211	3/24/05



PART NO. D-500-0468-1-XXX-ZZZ

1=SINGLE STUB

LENGTH OF CABLE IN INCHES

CABLE

- 612=10612 (SINGLE OPTIMIZED BRAID)
- 613=10613 (DOUBLE OPTIMIZED BRAID)
- 614=10614 (EMP HARDENED)

If this document is printed it becomes uncontrolled.  
Check for the latest revision.

**SPECIFICATION CONTROL DRAWING**  
© 2005 Tyco Electronics Corporation. All Rights Reserved.

UNLESS OTHERWISE SPECIFIED  
DIMENSIONS ARE INCHES. METRIC  
DIMENSIONS ARE IN BRACKETS.

DECIMAL TOLERANCES

.XXX ± 0.005	[ 0.13 mm]
.XX ± 0.010	[ 0.25 mm]
.X ± 0.020	[ 0.50 mm]

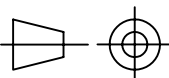
ANGLE TOLERANCE  
.X ± 0.5 DEG.

WEIGHT  
SEE NOTES

DRAWN  
T RATZLAFF  
DATE  
17JUL2003

MATERIAL  
FINISH

THIRD ANGLE  
PROJECTION



TYCO ELECTRONICS  
300 CONSTITUTION DRIVE  
MENLO PARK, CA 94025

**Raychem**

TITLE  
DATABUS COUPLER, SINGLE STUB,  
REVERSE, WITH INTERNAL TERMINATOR  
AND MOUNTING LUG

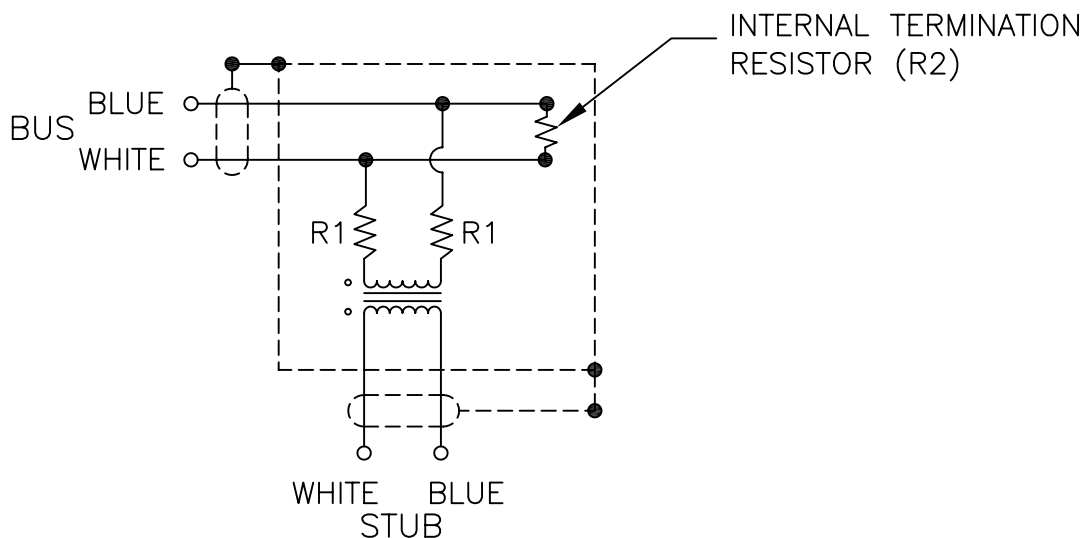
SIZE A	CAGE CODE 06090	DWG. NO. D-500-0468-1-XXX-ZZZ
-----------	--------------------	----------------------------------

CAD FILE  
C050211A

DO NOT SCALE THIS DRAWING SHEET 1 OF 2

1. MATERIAL AND FINISHES:
  - 1.1 INTERNAL COMPONENTS:
    - 1.1.1 -TRANSFORMER TO MIL-PRF-21038 AND MIL-STD-1553B
    - 1.1.2 -RESISTORS, ISOLATION PER MIL-PRF-39007/9, 57.6 OHMS (R1)
    - 1.1.3 -RESISTOR, TERMINATION PER MIL-PRF-39007/9, 76.8 OHMS (R2)
  - 1.2 SHIELDED CASE: ALUMINUM PER ASTM-B618
  - 1.3 SEALED STRAIN RELIEF COVER: MODIFIED CROSS-LINKED ELASTOMER, BLACK, TO RAYCHEM SPECIFICATION RK-6713.
  - 1.4 CABLE TYPE PER RAYCHEM SPECIFICATION 1200 (SEE PART NO. ON SHEET 1).
  
2. APPLICATION:
  - 2.1 THIS COUPLER IS DESIGNED TO BE INSTALLED AS A DIGITAL MULTIPLEX ASSEMBLY MEETING THE REQUIREMENTS OF MIL-STD-1553B.
  - 2.2 FOR CABLE SPLICING USE FLEXIBLE SPLICE KIT D-150-0708-5 (NOT SUPPLIED).
  - 2.3 CABLE BEND RADIUS PER SAE-AS50881 STATIC BEND: 5 x CABLE O.D. MIN., DYNAMIC BEND: 10 x CABLE O.D. MIN.
  
3. TEMPERATURE:
  - 3.1 OPERATING TEMPERATURE: -65°C TO +150°C
  
4. PERFORMANCE SPECIFICATIONS:
  - 4.1 TRANSFORMER MEETS THE PERFORMANCE REQUIREMENTS OF MIL-STD-1553B.
  - 4.2 COUPLER MEETS THE PERFORMANCE REQUIREMENTS OF RAYCHEM SPECIFICATION D-6020.
  
5. WEIGHT:
  - 5.1 MAXIMUM WEIGHT WITHOUT CABLE: 18 GRAMS, MAX.

SINGLE STUB COUPLER SCHEMATIC



SPECIFICATION CONTROL DRAWING

© 2005 Tyco Electronics Corporation. All Rights Reserved.

DRAWN T RATZLAFF	DATE 17JUL2003	SIZE A	CAGE CODE 06090	DWG. NO. D-500-0468-1-XXX-ZZZ	REV B
CAD FILE C050211B		<b>tyco</b> <b>Electronics</b>		DO NOT SCALE THIS DRAWING      SHEET 2 OF 2	