



Chipsmall Limited consists of a professional team with an average of over 10 year of expertise in the distribution of electronic components. Based in Hongkong, we have already established firm and mutual-benefit business relationships with customers from,Europe,America and south Asia,supplying obsolete and hard-to-find components to meet their specific needs.

With the principle of “Quality Parts,Customers Priority,Honest Operation,and Considerate Service”,our business mainly focus on the distribution of electronic components. Line cards we deal with include Microchip,ALPS,ROHM,Xilinx,Pulse,ON,Everlight and Freescale. Main products comprise IC,Modules,Potentiometer,IC Socket,Relay,Connector.Our parts cover such applications as commercial,industrial, and automotives areas.

We are looking forward to setting up business relationship with you and hope to provide you with the best service and solution. Let us make a better world for our industry!



## Contact us

Tel: +86-755-8981 8866 Fax: +86-755-8427 6832

Email & Skype: info@chipsmall.com Web: www.chipsmall.com

Address: A1208, Overseas Decoration Building, #122 Zhenhua RD., Futian, Shenzhen, China



**Raychem**

SPECIFICATION  
CONTROL DRAWING

Number

D-500-9263-XXX

Date

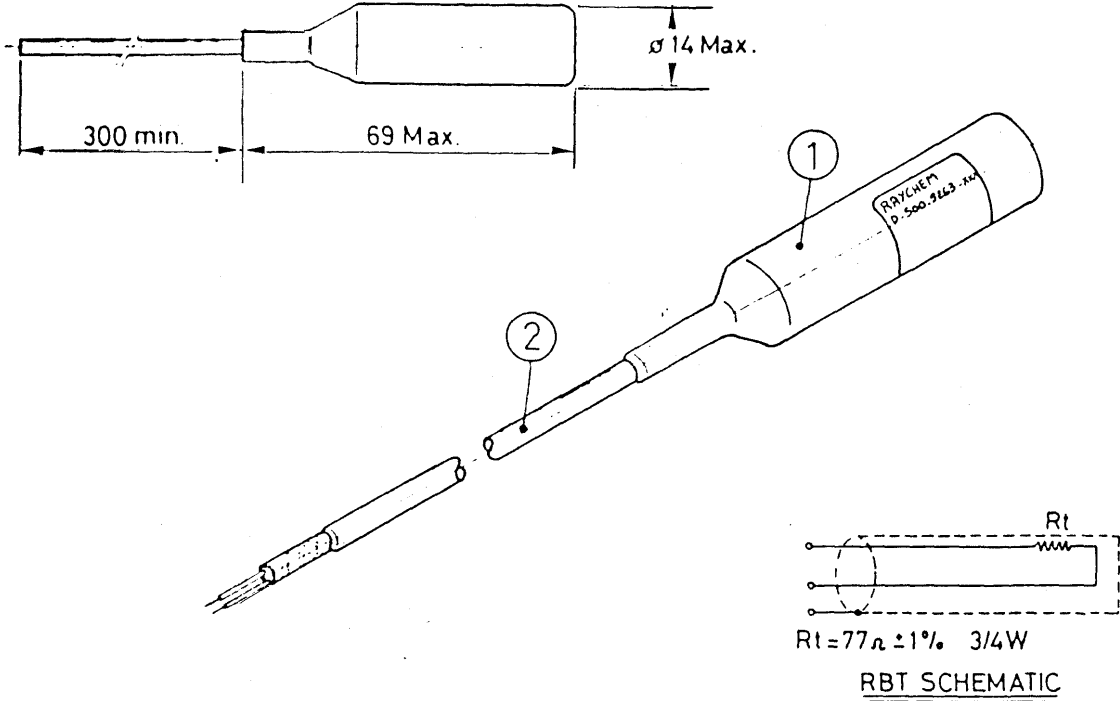
25/6/87

Revision

N/C

T-18220

Raychem BUS TERMINATOR (RBT) TO MIL-STD-1553B  
LIGHT WEIGHT SYSTEM



- ① RBT MODULE, SEALED, STRAIN RELIEVED, BLACK.
- ② Raychem BUS CABLE, WHITE JACKET.

PART NUMBER	CABLE
D-500-9263-006	10614-24-9
D-500-9263-012	10613-24-9
D-500-9263-017	10612-24-9

If this document is printed it becomes uncontrolled.  
Check with the web for latest revision.

Dimensions are in millimeters

DRAWN G. PONS	ENGINEERING	APPROVED W. POULSON	PRODUCT MANAGER
APPROVED R. DE CONTI	DEVELOPMENT	APPROVED M. LAMOTHE	QUALITY ASSURANCE

\*Raychem trade mark This drawing and the information set forth hereon are the property of Raychem Corporation, and are to be held in trust and confidence. Publication, duplication, disclosure or use for any purpose not expressly authorized in writing by Raychem Corporation is prohibited.

### 1. MATERIALS AND FINISHES

- 1.1 RBT MODULE WITH 3/4 W RESISTOR TO MIL-R-55182E.  
SCREENING BY COPPER BRAID, TIN PLATED. SOLDER JOINTS SN 96 TO QQS-571-E.
- 1.2 SEALED STRAIN RELIEF COVER IN MODIFIED CROSS-LINKED ELASTOMER TO RAYCHEM SPECIFICATION RK 6713.
- 1.3 BUS CABLE: SEE TABLE PAGE 1.

### 2. APPLICATION

- 2.1 THIS RBT IS DESIGNED TO BE INSTALLED INTO A DIGITAL MULTIPLEX HARNESS MEETING THE REQUIREMENTS OF MIL-STD-1553B, DEF-STAN-0018 (PART 2). FOR CABLE JOINTING USE FLEXIBLE JOINT D-150-9133.
- 2.2 FOR SYSTEM LAYOUT REQUIREMENTS CONSULT RAYCHEM TECHNICAL SERVICES.
- 2.3 CABLES BEND RADIUS: PER MIL-W-5088 STATIC  $5 \times$  CABLE OD. MIN.  
DYNAMIC  $10 \times$  CABLE OD. MIN.

### 3. TEMPERATURE

- 3.1 CABLE/STRAIN RELIEF COVER OPERATING TEMPERATURE  $-65^{\circ}\text{C}$  TO  $+150^{\circ}\text{C}$  CONTINUOUS.

### 4. PERFORMANCE SPECIFICATIONS

- 4.1 INSTALLED TERMINATOR MEETS THE PERFORMANCE REQUIREMENTS OF MIL-STD-1553B, AND RAYCHEM HDPS-0519.

### 5. ORDERING INFORMATION

ORDER AS PER TABLE PAGE 1. STANDARD PACKAGE ONE PIECE. CABLE JOINTS SHOULD BE ORDERED SEPARATELY. SPECIFY CERTIFICATE OF CONFORMANCE REQUIREMENTS AS A SEPARATE LINE ITEM.

**If this document is printed it becomes uncontrolled.  
Check with the web for latest revision.**

Dimensions are in millimeters