



Chipsmall Limited consists of a professional team with an average of over 10 year of expertise in the distribution of electronic components. Based in Hongkong, we have already established firm and mutual-benefit business relationships with customers from,Europe,America and south Asia,supplying obsolete and hard-to-find components to meet their specific needs.

With the principle of “Quality Parts,Customers Priority,Honest Operation,and Considerate Service”,our business mainly focus on the distribution of electronic components. Line cards we deal with include Microchip,ALPS,ROHM,Xilinx,Pulse,ON,Everlight and Freescale. Main products comprise IC,Modules,Potentiometer,IC Socket,Relay,Connector.Our parts cover such applications as commercial,industrial, and automotives areas.

We are looking forward to setting up business relationship with you and hope to provide you with the best service and solution. Let us make a better world for our industry!



Contact us

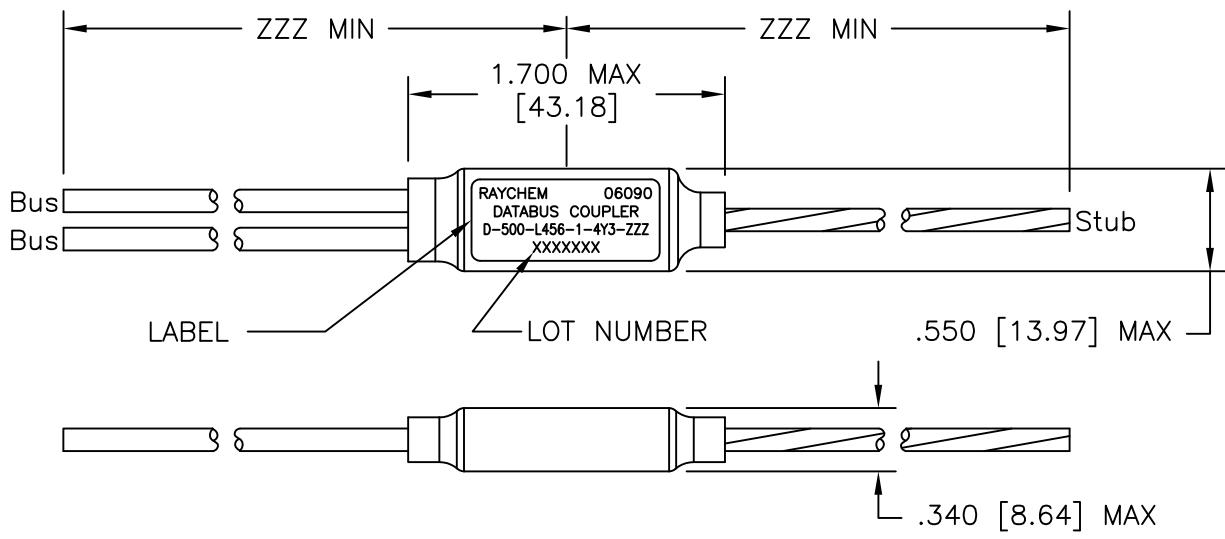
Tel: +86-755-8981 8866 Fax: +86-755-8427 6832

Email & Skype: info@chipsmall.com Web: www.chipsmall.com

Address: A1208, Overseas Decoration Building, #122 Zhenhua RD., Futian, Shenzhen, China



REVISION			
REV	DESCRIPTION	DATE	APPVD
B	REVISED NOTE 2.2 PER ECO-13-012558	8/5/13	LR

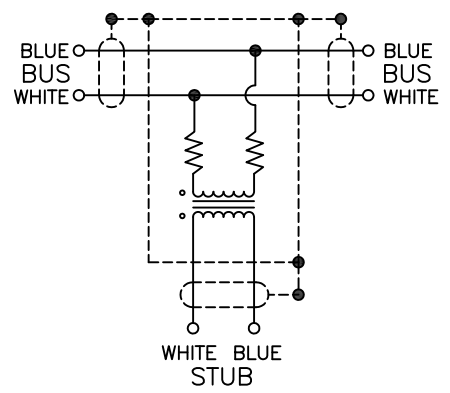


COMPONENT NUMBER

D-500-L456-1-4Y3-ZZZ

6: REVERSE CONFIGURATION
 No. OF STUBS
 CABLE LENGTH (INCHES)
 CABLE TYPE: 7724Y3664

SINGLE STUB COUPLER SCHEMATIC



1.0 MATERIAL AND FINISHES:

1.1 INTERNAL COMPONENTS:

- TRANSFORMER TO MIL-PRF-21038 AND MIL-STD-1553B
- RESISTORS TO MIL-PRF-39007/9, 57.6 OHMS

1.2 SHIELDED CASE: ALUMINUM PER ASTM B618 OR ASTM B211.

1.3 SEALED COVER: MODIFIED CROSS-LINKED, FLAME RETARDANT, BLACK, FLUOROPOLYMER TO RAYCHEM SPECIFICATION RT-370.

1.4 CABLE TO RAYCHEM SPECIFICATION: 1200.

2.0 APPLICATION:

2.1 THIS COUPLER IS DESIGNED TO BE INSTALLED INTO A DIGITAL MULTIPLEX ASSEMBLY MEETING THE REQUIREMENTS OF MIL-STD-1553B.

2.2 CABLE SPLICING: USE FLEXIBLE SPLICE KIT D-150-0250-RT OR D-150-0251-RT (NOT SUPPLIED)

2.3 CABLE BEND RADIUS PER SAE-AS50881 STATIC BEND: 5 x CABLE O.D. MIN.

DYNAMIC BEND: 10 x CABLE O.D. MIN.

3.0 TEMPERATURE:

3.1 OPERATING TEMPERATURE: -65°C TO +150°C

4.0 PERFORMANCE SPECIFICATIONS:

4.1 COUPLER MEETS THE PERFORMANCE REQUIREMENTS OF MIL-STD-1553B.

5.0 WEIGHT:

5.1 WEIGHT WITHOUT CABLE: 6.5g MAX

© 2013 Tyco Electronics Corporation. All Rights Reserved.
 Raychem Databus CUSTOMER DRAWING

DIMENSIONING AND TOLERANCING PER ASME Y14.5M-2009 UNLESS OTHERWISE SPECIFIED DIMENSIONS ARE INCHES. METRIC DIMENSIONS ARE IN BRACKETS. DECIMAL TOLERANCES .XXX ±--- [---mm] .XX ±--- [---mm] .X ±--- [---mm] ANGLE TOLERANCE .X ±---	DRAWN G.Rositano	DATE 2/26/2013	 TE Connectivity
	MATERIAL FINISH THIRD ANGLE PROJECTION	TITLE DATABUS MICROCOUPLER, SINGLE STUB, REVERSE CONFIGURATION WITH 7724Y3664 CABLE, LIGHTWEIGHT	
		SIZE A	CODE IDENT. NO. 06090
			DWG. NO. D-500-L456-1-4Y3-ZZZ
CAD FILE: D-500-L456-1-4Y3-ZZZ_CD_B		DO NOT SCALE THIS DRAWING	
		SHEET 1 OF 1	