



Chipsmall Limited consists of a professional team with an average of over 10 year of expertise in the distribution of electronic components. Based in Hongkong, we have already established firm and mutual-benefit business relationships with customers from,Europe,America and south Asia,supplying obsolete and hard-to-find components to meet their specific needs.

With the principle of “Quality Parts,Customers Priority,Honest Operation,and Considerate Service”,our business mainly focus on the distribution of electronic components. Line cards we deal with include Microchip,ALPS,ROHM,Xilinx,Pulse,ON,Everlight and Freescale. Main products comprise IC,Modules,Potentiometer,IC Socket,Relay,Connector.Our parts cover such applications as commercial,industrial, and automotives areas.

We are looking forward to setting up business relationship with you and hope to provide you with the best service and solution. Let us make a better world for our industry!



Contact us

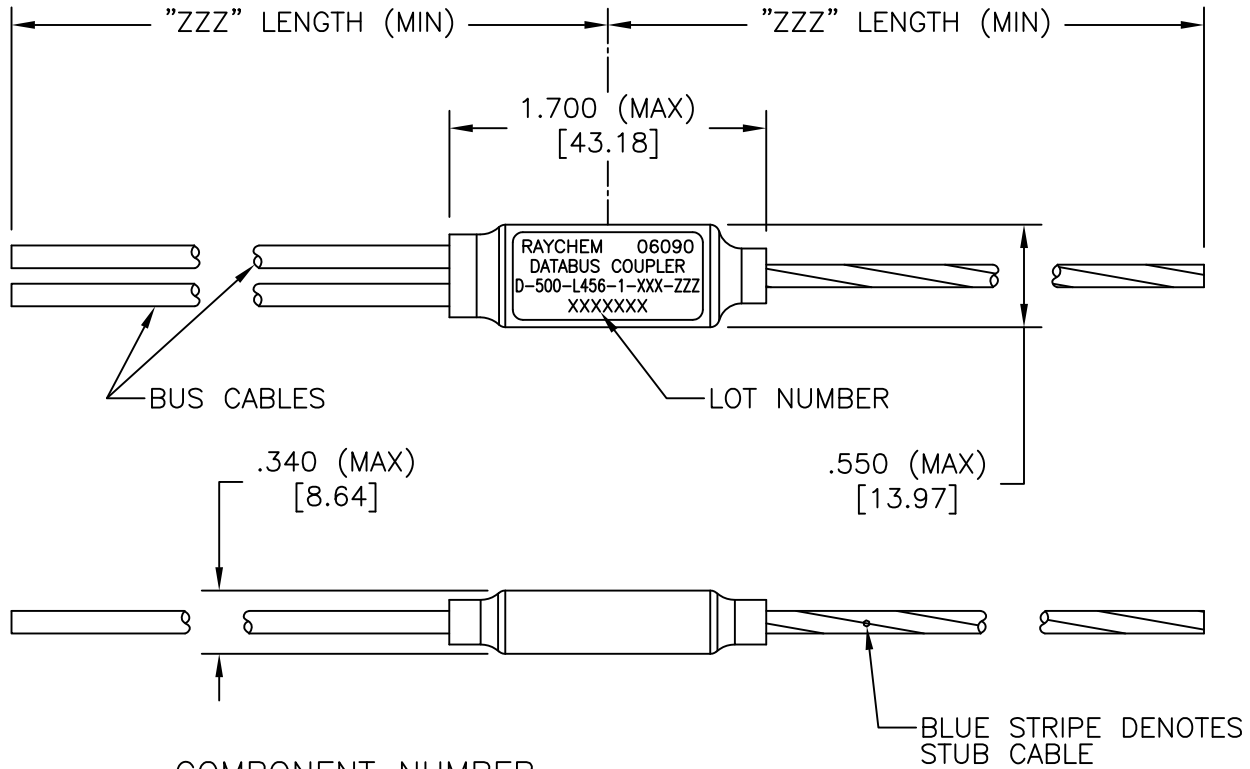
Tel: +86-755-8981 8866 Fax: +86-755-8427 6832

Email & Skype: info@chipsmall.com Web: www.chipsmall.com

Address: A1208, Overseas Decoration Building, #122 Zhenhua RD., Futian, Shenzhen, China



REVISION		
REV	DESCRIPTION	DATE
C	REVISED PER ECO-12-018952	26OCT2012



COMPONENT NUMBER

D-500-L456-1-XXX-ZZZ

SCHEMATIC: 6: REVERSE
 NUMBER OF STUBS
 CABLE
 CABLE LENGTH (INCHES)

- 612: 10612 (OPTIMIZED SINGLE SHIELD)
- 613: 10613 (OPTIMIZED DOUBLE SHIELD)
- 614: 10614 (EMP HARDENED)
- EP3: EPD30653Q (BUS), EPD31346A-6L9-US (STUB) (OPTIMIZED DOUBLE SHIELD)
- H06: 7724H0664 (FLAT SHIELD WIRE, UNFILLED)
- 6D0: 7726D0664 26 AWG OPTIMIZED SINGLE SHIELD
- 6D3: 7726D3664 26 AWG OPTIMIZED DOUBLE SHIELD

If this document is printed it becomes uncontrolled. Check for the latest revision

© 2011-2012 Tyco Electronics Corporation. All Rights Reserved.

Raychem Databus
 CUSTOMER DRAWING

UNLESS OTHERWISE SPECIFIED DIMENSIONS ARE INCHES. METRIC DIMENSIONS ARE IN BRACKETS. DECIMAL TOLERANCES .XXX ±--- [---mm] .XX ±--- [---mm] .X ±--- [---mm] ANGLE TOLERANCE .X ±---	DRAWN G.Rositano	DATE 11/26/03		TITLE DATABUS MICROCOUPLER, SINGLE STUB, REVERSE LIGHTWEIGHT	
	MATERIAL FINISH				SIZE A
CAD FILE D-500-L456-1-XXX-ZZZa	THIRD ANGLE PROJECTION 		DO NOT SCALE THIS DRAWING		SHEET 1 OF 2

1. MATERIAL AND FINISHES:
 - 1.1 INTERNAL COMPONENTS:
 - TRANSFORMER TO MIL-PRF-21038 AND MIL-STD-1553B
 - RESISTORS TO MIL-PRF-39007/9, 57.6 OHMS
 - 1.2 SHIELDED CASE: ALUMINUM PER ASTM-B618.
 - 1.3 SEALED COVER: MODIFIED CROSS-LINKED, FLAME RETARDANT, BLACK, FLUOROPOLYMER TO RAYCHEM SPECIFICATION RT-370.
 - 1.4 CABLE TO RAYCHEM SPECIFICATION 1200 (SEE PART NO. ON SHEET 1).

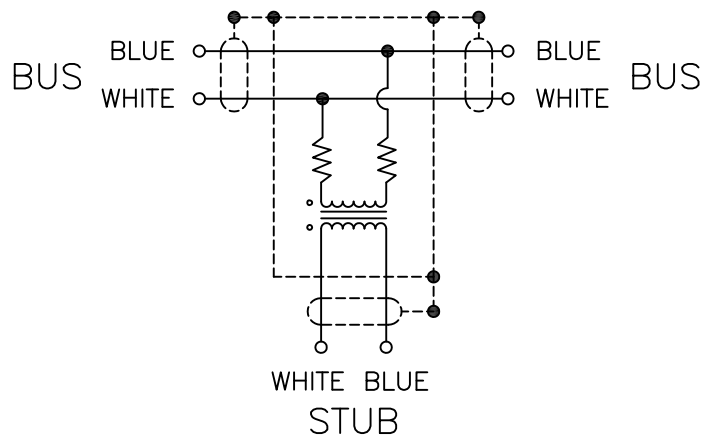
2. APPLICATION:
 - 2.1 THIS COUPLER IS DESIGNED TO BE INSTALLED INTO A DIGITAL MULTIPLEX ASSEMBLY MEETING THE REQUIREMENTS OF MIL-STD-1553B.
 - 2.2 FOR CABLE SPLICING USE FLEXIBLE SPLICE KIT D-150-0708-5 (NOT SUPPLIED).
 - 2.3 CABLE BEND RADIUS PER SAE-AS50881 STATIC BEND: 5 x CABLE O.D. MIN.
DYNAMIC BEND: 10 x CABLE O.D. MIN.

3. TEMPERATURE:
 - 3.1 OPERATING TEMPERATURE: -65°C TO +150°C

4. PERFORMANCE SPECIFICATIONS:
 - 4.1 COUPLER MEETS THE PERFORMANCE REQUIREMENTS OF MIL-STD-1553B.

5. WEIGHT:
 - 5.1 WEIGHT WITHOUT CABLE: 6.5 GRAMS (MAXIMUM).

SINGLE STUB COUPLER SCHEMATIC



If this document is printed it becomes uncontrolled. Check for the latest revision

Raychem Databus

© 2011-2012 Tyco Electronics Corporation. All Rights Reserved.

CUSTOMER DRAWING

DRAWN G. Rositano	DATE 11/26/03	SIZE A	CODE IDENT. NO. 06090	DWG. NO. D-500-L456-1-XXX-ZZZ	REV C
CAD FILE D-500L-456-1-XXX-ZZZ				DO NOT SCALE THIS DRAWING	
				SHEET 2 OF 2	