



Chipsmall Limited consists of a professional team with an average of over 10 year of expertise in the distribution of electronic components. Based in Hongkong, we have already established firm and mutual-benefit business relationships with customers from,Europe,America and south Asia,supplying obsolete and hard-to-find components to meet their specific needs.

With the principle of “Quality Parts,Customers Priority,Honest Operation,and Considerate Service”,our business mainly focus on the distribution of electronic components. Line cards we deal with include Microchip,ALPS,ROHM,Xilinx,Pulse,ON,Everlight and Freescale. Main products comprise IC,Modules,Potentiometer,IC Socket,Relay,Connector.Our parts cover such applications as commercial,industrial, and automotives areas.

We are looking forward to setting up business relationship with you and hope to provide you with the best service and solution. Let us make a better world for our industry!



## Contact us

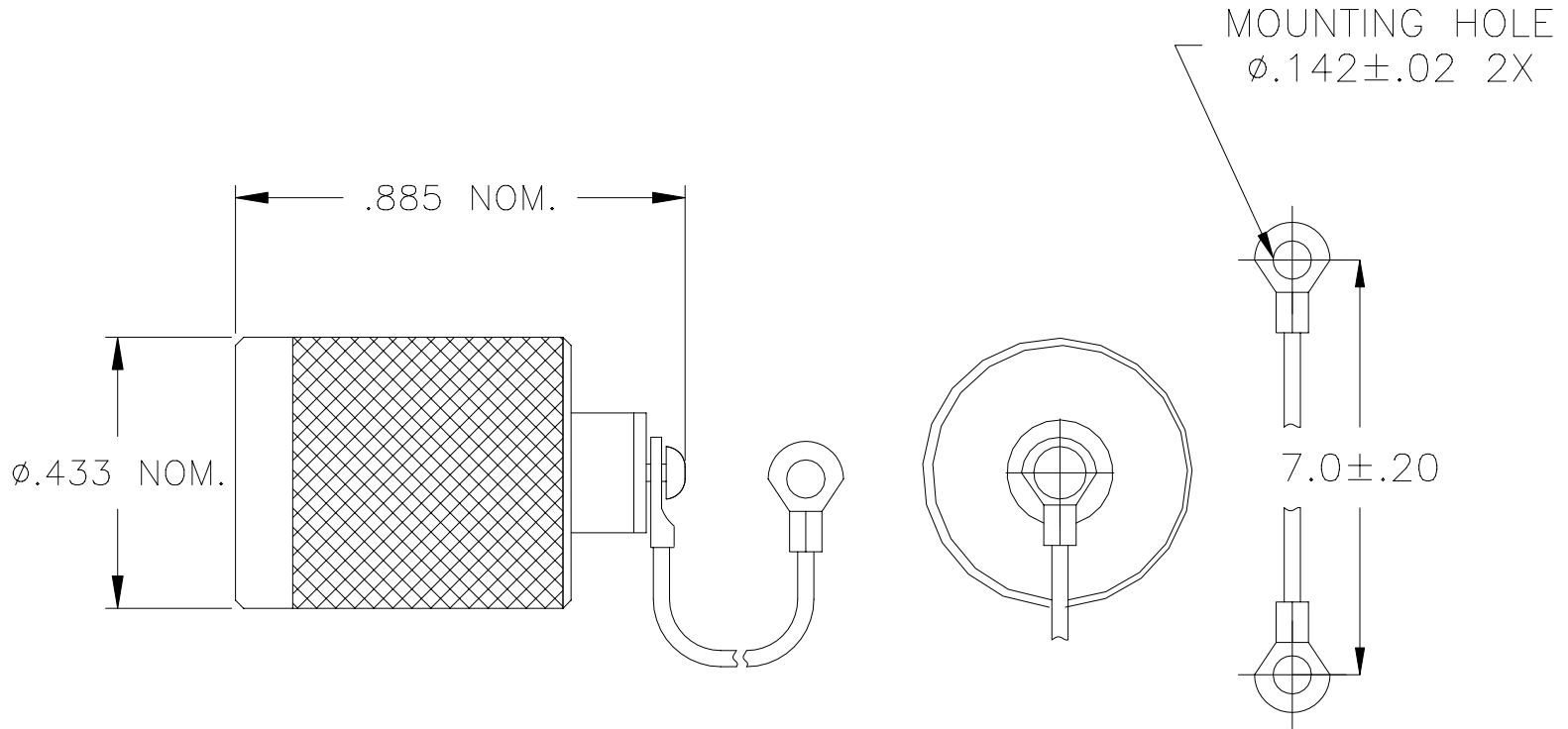
Tel: +86-755-8981 8866 Fax: +86-755-8427 6832

Email & Skype: info@chipsmall.com Web: www.chipsmall.com

Address: A1208, Overseas Decoration Building, #122 Zhenhua RD., Futian, Shenzhen, China



REVISIONS			
LTR	DESCRIPTION	DATE	APPROVED
B	REVISED PER ECN# T-21394	4/10/97	Z. TEMAN
C	REVISED PER ECN# T-21730	9/19/97	Z. TEMAN



NOTE:  
THIS DUST CAP IS TO BE USED ON A 5/16-32 THREADED INTERFACE CONNECTOR.

1.0 MATERIALS AND FINISHES

1.1 DUST CAP COUPLING NUT: BRASS ALLOY 360, HALF HARD PER ASTM B 16.  
TIN PLATED PER MIL-T-10727, OVER NICKEL PER QQ-N-290.

1.2 INTERFACIAL SEAL: SILICONE RUBBER

1.3 SCREW AND LANYARD: STAINLESS STEEL, PASSIVATED PER QQ-P-35.

If this document is printed it becomes uncontrolled.  
Check for the latest revision.

## SPECIFICATION CONTROL DRAWING

UNLESS OTHERWISE SPECIFIED DIMENSIONS ARE IN INCHES. METRIC DIMENSIONS ARE IN BRACKETS.  DECIMALS .XXX ± — [ — mm ] .XX ± — [ — mm ] ANGLES .X ± — WEIGHT — lbs [ — g ]	DRAWN	ZET	2/20/97		Tyco Electronics Corporation 300 Constitution Drive Menlo Park, CA. 94025 U.S.A.		
	CHECKED						
	APPROVED			TITLE			
	APPROVED	P.DUTTON		DUST CAP, THREADED, COUPLED,			
CAD NAME							
T21730							
THIRD ANGLE PROJECTION				SIZE	CODE IDENT. NO.	DWG. NO.	REV
				A	06090	D-600-0083	C
DO NOT SCALE THIS DRAWING						SHEET 1 OF 1	