



Chipsmall Limited consists of a professional team with an average of over 10 year of expertise in the distribution of electronic components. Based in Hongkong, we have already established firm and mutual-benefit business relationships with customers from,Europe,America and south Asia,supplying obsolete and hard-to-find components to meet their specific needs.

With the principle of “Quality Parts,Customers Priority,Honest Operation,and Considerate Service”,our business mainly focus on the distribution of electronic components. Line cards we deal with include Microchip,ALPS,ROHM,Xilinx,Pulse,ON,Everlight and Freescale. Main products comprise IC,Modules,Potentiometer,IC Socket,Relay,Connector.Our parts cover such applications as commercial,industrial, and automotives areas.

We are looking forward to setting up business relationship with you and hope to provide you with the best service and solution. Let us make a better world for our industry!



Contact us

Tel: +86-755-8981 8866 Fax: +86-755-8427 6832

Email & Skype: info@chipsmall.com Web: www.chipsmall.com

Address: A1208, Overseas Decoration Building, #122 Zhenhua RD., Futian, Shenzhen, China



NOTES:

1. RAYCHEM CABLE: 10595-24-9

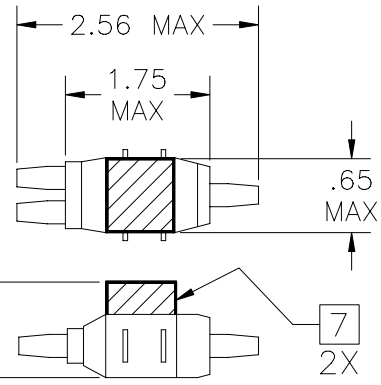
2. WEIGHT:

D-600-0170-1 .313 lbs. [142 g] APPROX.

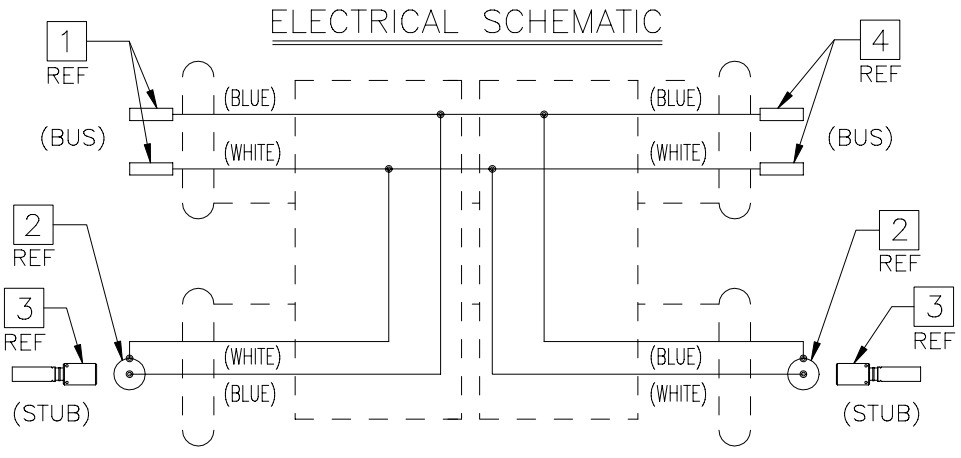
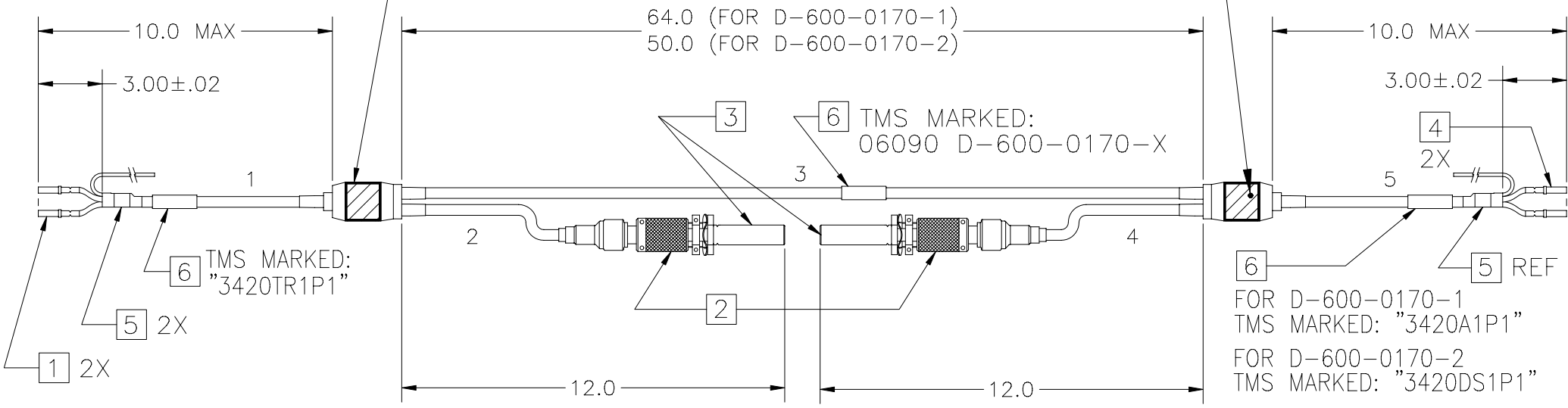
D-600-0170-2 .295 lbs. [134 g] APPROX.

REVISIONS		DATE	APPROVED
LTR	DESCRIPTION		
F	REVISED PER DCR NO. T-29138	6/6/01	GMR

**If this document is printed it becomes uncontrolled.
Check with the web for latest revision.**



PWB COUPLER WITHOUT COUPLING TRANSFORMER, 2X



COMPONENTS FOR D-600-0170-1 AND D-600-0170-2			
ITEM	QTY	COMPONENT	DESCRIPTION
1	2	M39029/57-354	CONTACT, CRIMP
2	2	DK-621-0411-P	CONNECTOR, PLUG WITH PIN CONTACT
3	2	D-621-0485	TERMINATOR JACK, 200 OHMS
4	2	M39029/57-357	CONTACT, CRIMP, SKT
5	2	S02-08-R	SHIELD TERMINATOR
6	3	TMS-SCE-3/8-2.0-4	TMS MARKER, YELLOW
7	2	-----	COUPLER MOUNTING BLOCK

SPECIFICATION CONTROL DRAWING

UNLESS OTHERWISE SPECIFIED DIMENSIONS ARE IN INCHES. METRIC DIMENSIONS ARE IN BRACKETS.	DRAWN	J.B.K.	92 MAR 30	tyco / Electronics / Raychem WIRE AND HARNESSING PRODUCTS 307 CONSTITUTION DRIVE MENLO PARK, CALIFORNIA 94025		
	CHECKED					
	APPROVED					
	APPROVED	Z.TEMAN	92 OCT 15			
ALL CABLE LENGTHS: +1.00 -0.00	CAD NAME	T29138		TITLE BELL WEATHER RADAR BUS		
WEIGHT	THIRD ANGLE PROJECTION	SIZE	CODE	IDENT. NO.	DWG. NO.	REV
△		A	06090	D-600-0170-1/-2	F	1
DO NOT SCALE THIS DRAWING				SHEET 1 OF 1		