



Chipsmall Limited consists of a professional team with an average of over 10 year of expertise in the distribution of electronic components. Based in Hongkong, we have already established firm and mutual-benefit business relationships with customers from,Europe,America and south Asia,supplying obsolete and hard-to-find components to meet their specific needs.

With the principle of “Quality Parts,Customers Priority,Honest Operation,and Considerate Service”,our business mainly focus on the distribution of electronic components. Line cards we deal with include Microchip,ALPS,ROHM,Xilinx,Pulse,ON,Everlight and Freescale. Main products comprise IC,Modules,Potentiometer,IC Socket,Relay,Connector.Our parts cover such applications as commercial,industrial, and automotives areas.

We are looking forward to setting up business relationship with you and hope to provide you with the best service and solution. Let us make a better world for our industry!



## Contact us

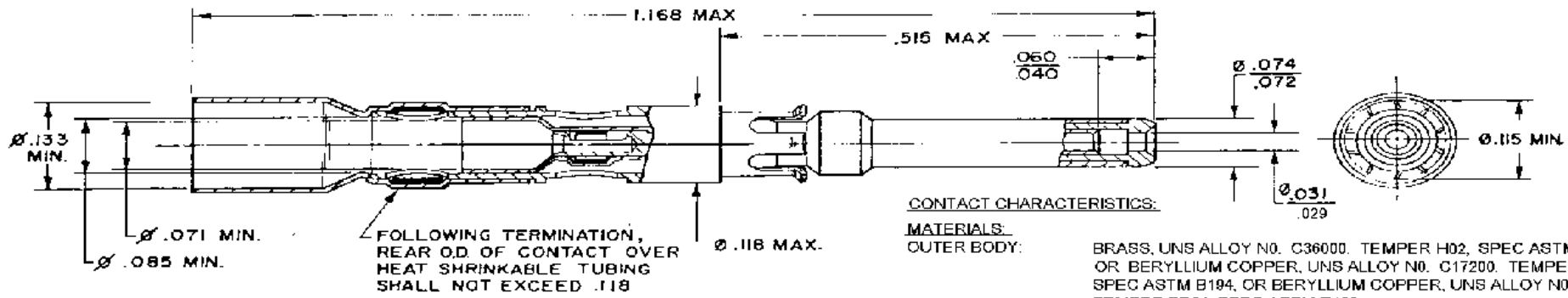
Tel: +86-755-8981 8866 Fax: +86-755-8427 6832

Email & Skype: info@chipsmall.com Web: www.chipsmall.com

Address: A1208, Overseas Decoration Building, #122 Zhenhua RD., Futian, Shenzhen, China



L	REVISED PER E.C.N. T-B334	6/2/93	V. AD
M	REVISED PER DCR# T-22012	12/16/98	M. HIGGY



**CONTACT CHARACTERISTICS:**

- MATERIALS:**  
**OUTER BODY:** BRASS, UNS ALLOY NO. C36000, TEMPER H02, SPEC ASTM B16 OR BERYLLIUM COPPER, UNS ALLOY NO. C17200, TEMPER TD04, SPEC ASTM B194, OR BERYLLIUM COPPER, UNS ALLOY NO. C17300, TEMPER TD04, SPEC ASTM B196.  
**PLATING:** GOLD PER ASTM B 488 (MIL-G-45204) NICKEL PER QQ-N-290 OVER COPPER FLASH.  
**INNER CONTACT:** BERYLLIUM COPPER, UNS ALLOY NO. C17300, TEMPER TH04, SPEC. ASTM B196.  
**PLATING:** GOLD PER ASTM B 488 (MIL-G-45204) NICKEL PER QQ-N-290 OVER COPPER FLASH.  
**RETAINING CLIP:** BERYLLIUM COPPER, UNS ALLOY NO. C17200, TEMPER TH04, SPEC. ASTM B194.  
**PLATING:** NICKEL PER QQ-N-290.  
**DIELECTRIC:** FLUOROPOLYMER.  
**SOLDER:** SN63 RMAP IN ACCORDANCE WITH ANSII-STD-006.  
**CABLE SUPPORT:** OUTER SLEEVE: POLYVINYLIDENE HEAT SHRINKABLE TUBING. INNER SLEEVE: POLYOLEFIN HEAT SHRINKABLE TUBING.

**NOTES:**

- THIS CONTACT IS DESIGNED FOR USE IN MIL-C-28748 SIZE 15 CAVITIES.
- THIS CONTACT IS DESIGNED TO TERMINATE TO THE CABLES IN THE TABLE. OTHER APPLICATIONS SHOULD BE SUBMITTED TO RAYCHEM FOR EVALUATION.
- FOR TERMINATION PROCEDURE: SEE ES 61133
- MATING CONTACT (FOR SIMILAR CABLES) D-602-45
- CABLE MUST BE TERMINATED WITH D-600-0018 DIELECTRIC BARRIER.
- THIS CONTACT MEETS RAYCHEM SPECIFICATION D-6002.

- PERFORMANCE:**  
**TEMPERATURE RATING:** 125°C MAXIMUM.  
**CURRENT RATING:** 3 AMPS  
**VOLTAGE RATING:** DIELECTRIC WITHSTAND VOLTAGE 900 VOLTS RMS, MAXIMUM.  
**CONTACT RESISTANCE:** 10 MILLIOHMS MAXIMUM (INNER) 8 MILLIOHMS MAXIMUM (OUTER)  
**INSULATION RESISTANCE:** 5,000 MEGOHMS MINIMUM.  
**ENGAGEMENT FORCE:** INNER SOCKET: 8 OZ. MAXIMUM.  
**SEPARATION FORCE:** INNER SOCKET: 0.5 OZ. MINIMUM.

RG CABLE NO.	RAYCHEM CABLE NO.
RG - 179 B/U	5026A 1X1X
RG - 178 B/U	5030A 1X1X
RG - 316 /U	7528A 1X1X
	7530A 1X1X
	9532A 1X1X

**CONNECTOR SPECIFICATION CONTROL DRAWING**

UNLESS OTHERWISE SPECIFIED DIMENSIONS ARE IN INCHES UNRAKED DIMENSIONS ( ) ARE METRIC AND TOLERANCES ARE:  XXX ± ( ) XX ± ( ) X ± ( )	DRAWN	DWV	2-15-BC	The Tyco Electronics Corporation 300 Westborough Drive North Andover, MA 01855 USA  Raychem
	CHECKED			
	APPROVED			
	APPROVED			
	CAD FILE	T22012.TIF	SIZE A	CODE IDENT NO. 06090
			SWG NO D-602-44	M
			W/FIGHT	SHEET
				OF 1

If this document is printed it becomes uncontrolled.  
Check for the latest revision.

DO NOT SCALE THIS DRAWING