



Chipsmall Limited consists of a professional team with an average of over 10 year of expertise in the distribution of electronic components. Based in Hongkong, we have already established firm and mutual-benefit business relationships with customers from,Europe,America and south Asia,supplying obsolete and hard-to-find components to meet their specific needs.

With the principle of “Quality Parts,Customers Priority,Honest Operation,and Considerate Service”,our business mainly focus on the distribution of electronic components. Line cards we deal with include Microchip,ALPS,ROHM,Xilinx,Pulse,ON,Everlight and Freescale. Main products comprise IC,Modules,Potentiometer,IC Socket,Relay,Connector.Our parts cover such applications as commercial,industrial, and automotives areas.

We are looking forward to setting up business relationship with you and hope to provide you with the best service and solution. Let us make a better world for our industry!



Contact us

Tel: +86-755-8981 8866 Fax: +86-755-8427 6832

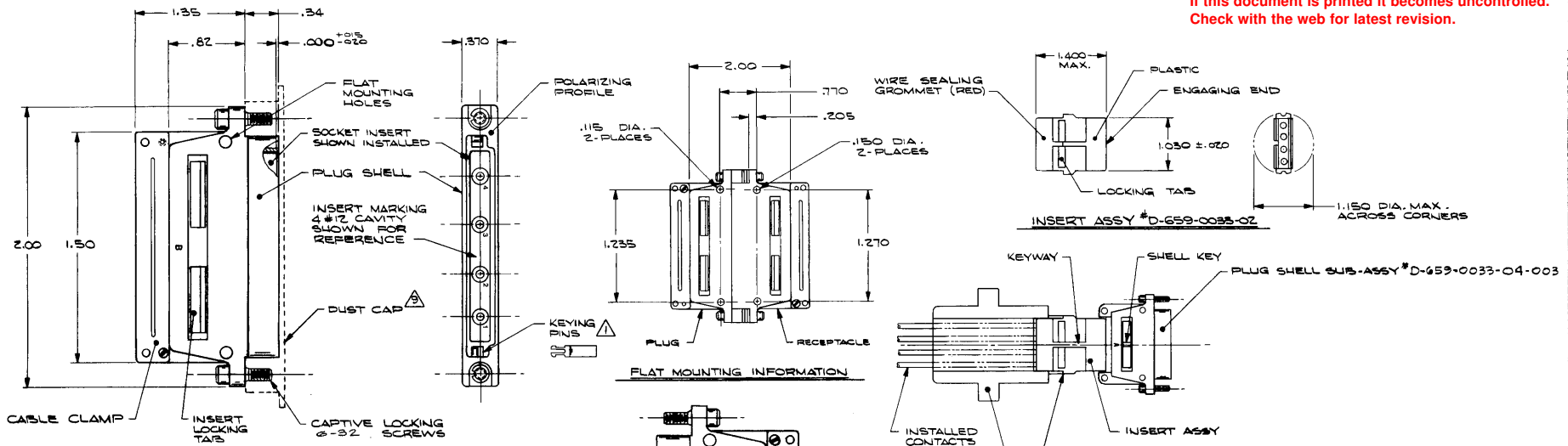
Email & Skype: info@chipsmall.com Web: www.chipsmall.com

Address: A1208, Overseas Decoration Building, #122 Zhenhua RD., Futian, Shenzhen, China



REVISIONS		DATE	APPROVED
ZONE	LTR	DESCRIPTION	
B		REVISE PER DCR# T-28607	2/12/2001 M.HICCY

If this document is printed it becomes uncontrolled.
Check with the web for latest revision.



NOTES :

- KEYING CODE DOES NOT FORM A PART OF RAYCHEM PART NUMBER SYSTEM AND SHOULD BE OMITTED WHEN ORDERING. KEYING PINS ARE SUPPLIED UN-INSTALLED.
- CONNECTOR ASSEMBLY SUPPLIED IN KIT FORM AND SHALL BE ASSEMBLED BY USER. THE COMPLETED ASSEMBLY DESIGNED TO MEET APPLICABLE REQUIREMENTS OF SPECIFICATION D-6007.
 - KIT INCLUDES :
 - PLUG SHELL SUB-ASSY (INCLUDES ASSEMBLED JACKSCREW LOCKING MECHANISM).
 - INSERT SUB-ASSEMBLY #D-659-0033-02
 - CABLE CLAMP AND BUSHING
 - CABLE CLAMP SCREWS
 - KEYING PINS
- CONNECTOR COMPONENTS AND ACCESSORIES ARE INDIVIDUALLY BAGGED AND LABELED.
- REAR GROMMET INSERT WILL SEAL ON SMOOTH INSULATION FROM .097 TO .158 O.D.
- CONNECTOR DESIGNED FOR USE WITH POWER AND SHIELDED CONTACTS PER TABLE I.
- ALL UNUSED CAVITIES TO BE SEALED USING SEALING PLUG NUMBER M83723-28-12.
- ALL CONTACTS SIZE 12 POWER OR COAX SHIELDED MAY BE INSERTED AND REMOVED USING TOOL NUMBER M83723-31-12.
- REFER TO RAYCHEM SPECIFICATION D-6007 FOR COMPLETE DETAILS.
- CONNECTOR SUPPLIED WITH A SHIPPING DUST CAP OVER ENGAGING END.
- INSERT ASSEMBLY TO BE INSTALLED USING TOOL AD-1521-5.
- MATES WITH RECEPTACLE CONNECTOR NUMBER MTC CIR-COAX OIP-01.
- CONNECTOR MATING REQUIREMENTS: 9 in. lbs. TORQUE FOR CAPTIVE LOCKING SCREW.
- CADMIUM PLATE IS PER 00-P-416 OVER NICKEL UNDERPLATE.
- DIMENSIONS WITHOUT TOLERANCES ARE TO BE CONSIDERED FOR REFERENCE ONLY.

INSERT INSTALLATION PROCEDURE :

- POSITION AD-1521-5 TOOL AGAINST INSERT SHOULDER.
- ALIGN INSERT KEYWAY WITH KEY IN PLUG SHELL SUB-ASSY.
- PUSH TOOL AND INSERT INTO PLUG SHELL UNTIL INSERT BOTTOMS IN SHELL AND THE LOCKING TABS ARE POSITIONED INTO THE SHELL WINDOW.
- CHECK FOR PROPER INSERT LOCATION DIMENSION.

TABLE I
SOCKET CONTACT AND TOOLING INFORMATION

CONTACT TYPE	MILITARY PART NO.	WIRE STRIP LENGTH	TERMINATION TOOL
SHIELDED CONTACT FOR COAX CABLE	---	SEE DRAWING D-602-0095 OR D-602-0107	SEE DRAWING D-602-0095 OR D-602-0107
CONTACT FOR TWISTED PAIR	---	SEE DRAWING D-602-0105	SEE DRAWING D-602-0105
POWER CONTACT SIZE 12	M83723-31-12	1/4" TO 5/16"	M22525/1-01 POSITIONER M22520/1-02

SPECIFICATION CONTROL DRAWING

UNLESS OTHERWISE SPECIFIED DIMENSIONS ARE IN INCHES AND TOLERANCES ARE XXX ± XX ± X ±	DRAWN		TYCO/ELECTRONICS/RAYCHEM WIRE AND HARNESSING PRODUCTS 307 CONSTITUTION DRIVE MENLO PARK, CALIFORNIA 94025		
	CHECKED				
	APPROVED				
	APPROVED				
MATERIAL			TITIF KIT, CONNECTOR, PLUG, RECTANGULAR, ENVIRONMENTAL, LOOSE SOCKET INSERT & KEYING PINS ONE INCH MTC SERIES CADMIUM PLATED		
FINISH					
PART NUMBER		SIZE	CODE IDENT	DWG. NO.	REV.
		D	NO 06990	D-659-0033-003	B
PROJECT	50268	SCALE	WEIGHT	SHEET	OF

DO NOT SCALE THIS DRAWING
NEXT ASSY USED ON APPLICATION