



Chipsmall Limited consists of a professional team with an average of over 10 year of expertise in the distribution of electronic components. Based in Hongkong, we have already established firm and mutual-benefit business relationships with customers from,Europe,America and south Asia,supplying obsolete and hard-to-find components to meet their specific needs.

With the principle of "Quality Parts,Customers Priority,Honest Operation,and Considerate Service",our business mainly focus on the distribution of electronic components. Line cards we deal with include Microchip,ALPS,ROHM,Xilinx,Pulse,ON,Everlight and Freescale. Main products comprise IC,Modules,Potentiometer,IC Socket,Relay,Connector.Our parts cover such applications as commercial,industrial, and automotives areas.

We are looking forward to setting up business relationship with you and hope to provide you with the best service and solution. Let us make a better world for our industry!



Contact us

Tel: +86-755-8981 8866 Fax: +86-755-8427 6832

Email & Skype: info@chipsmall.com Web: www.chipsmall.com

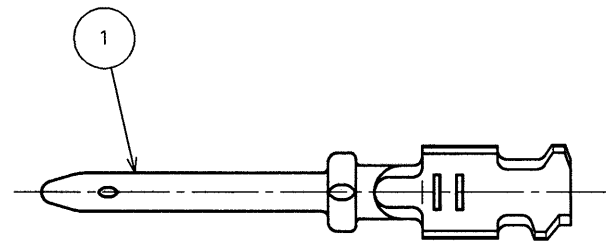
Address: A1208, Overseas Decoration Building, #122 Zhenhua RD., Futian, Shenzhen, China



16Z1Z0PS

(DRAWING NO.) (図番)

| 版数 SYM. | 年月日 DATE | DCN NO. | 変更内容 DESCRIPTION | 製図 DR. | 担当 CHK. | 査閲 APP. | 承認 APP. |
|------------|-------------|---------|---------------------|-----------|------------|-------------------|-----------------|
| 2 | 27.Jan.1998 | 41373 | REDRAWN | | Y.NAKATOMI | <i>Y. Hayashi</i> | <i>H. Saito</i> |



APPLICABLE WIRE
適合電線

| | |
|-------------------------|--|
| PART NUMBER 品名 | D*C-20-18P-PKG100 |
| APPLICABLE WIRE 適合電線 | AWG#18~#22 (OUTER DIAMETER:NOTE1) (仕上外径:注1) |

NOTE1. OUTER DIAMETER OF CABLE AND PULLING TOOL

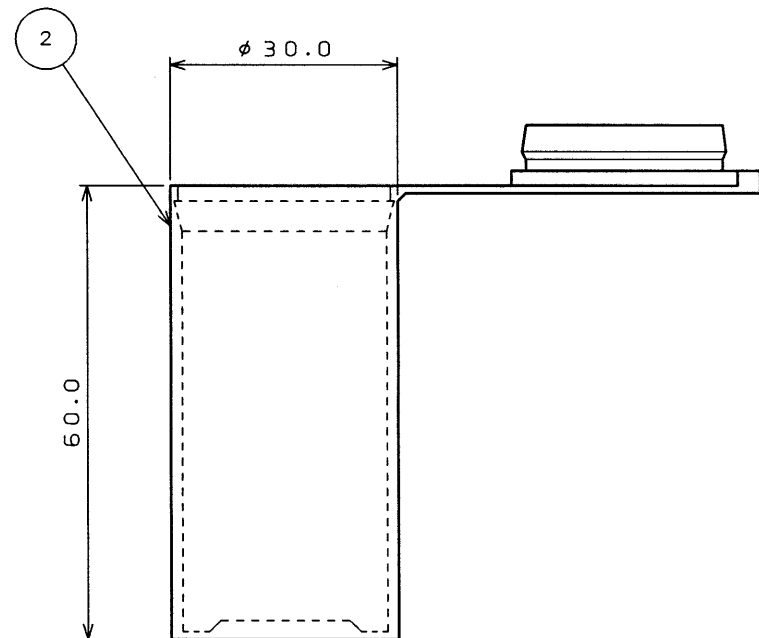
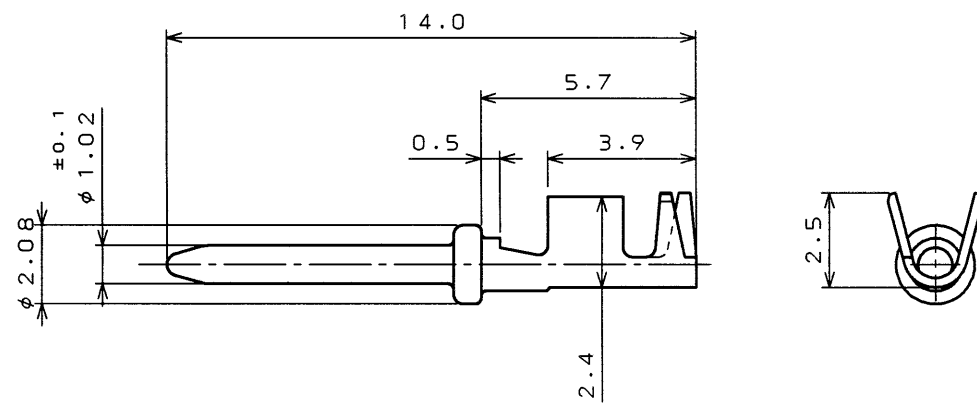
| OUTER DIAMETER OF CABLE | PULLING TOOL | REMARKS |
|----------------------------|--------------------------|---|
| φ 1.2 ~ φ 1.7 | J1ET-D*C-20 (PLASTIC) | |
| φ 1.2 ~ φ 1.95 | ET-20D (METAL) | |
| φ 1.96 MIN. | J1ET-D*C-20 OR ET-20D | THE CASE OF PULLING OUT THE CABLE, IT MUST BE CUT. |

2. CONTACTS ARE PUT INTO A CASE.
(100 PIECES./CASE)

注1. 電線仕上外径と引抜工具

| 電線仕上外径 | 引抜工具 | 備考 |
|----------------|--------------------------|---------------------------|
| φ 1.2 ~ φ 1.7 | J1ET-D*C-20 (プラスチック製) | |
| φ 1.2 ~ φ 1.95 | ET-20D (金属製) | |
| φ 1.96 MIN. | J1ET-D*C-20 又は ET-20D | 引抜く場合は 電線を切断しなければならない。 |

2. コントクトは円筒ケースに100本単位で梱包されている。



| 2 | CYLINDER CASE | 1 | PE | | |
|-------------------------|-------------------|--------------------------|----------------|---|---------------|
| 1 | D*C-20-18P | 100 | COPPER ALLOY | GOLD OVER NICKEL PLATING | |
| 符号 ITEM | 名称 DESCRIPTION | 個数 Q'TY | 材料 MATERIAL | 仕上 FINISH | 備考 REMARKS |
| 仕様書(REFERENCE DOCUMENT) | | 第1版(DATE) 29.Jan.1987 | | 尺度(SCALE) 外寸(SERIES) JAE-CONNECTOR.COM | |
| 公差(GENERAL TOLERANCE) | | 製図 DR. | | 名称(TITLE) D*C -20-18P -PKG100 | |
| 寸法(DIMENSION) | | 担当 CHK. Y.HAYASHI | | JAE AVIATION ELECTRONICS INDUSTRY, LTD. | |
| 角度(ANGLES) | | 査閲 APP. Y.TAKEUCHI | | 図面番号(DRAWING NO.) SJ021791 | |
| . ± | | 承認 APP. T.HASHIMOTO | | 重量(WEIGHT) | |
| .X ±0.4 | | | | ⊕ | |
| .XX ±0.2 | | | | | |
| .XXX ± | | | | | |

DOF-C-2120(97.10)

CSP-5045

SIZE A3

版数
(SYM.)

2