



Chipsmall Limited consists of a professional team with an average of over 10 year of expertise in the distribution of electronic components. Based in Hongkong, we have already established firm and mutual-benefit business relationships with customers from,Europe,America and south Asia,supplying obsolete and hard-to-find components to meet their specific needs.

With the principle of “Quality Parts,Customers Priority,Honest Operation,and Considerate Service”,our business mainly focus on the distribution of electronic components. Line cards we deal with include Microchip,ALPS,ROHM,Xilinx,Pulse,ON,Everlight and Freescale. Main products comprise IC,Modules,Potentiometer,IC Socket,Relay,Connector.Our parts cover such applications as commercial,industrial, and automotives areas.

We are looking forward to setting up business relationship with you and hope to provide you with the best service and solution. Let us make a better world for our industry!



Contact us

Tel: +86-755-8981 8866 Fax: +86-755-8427 6832

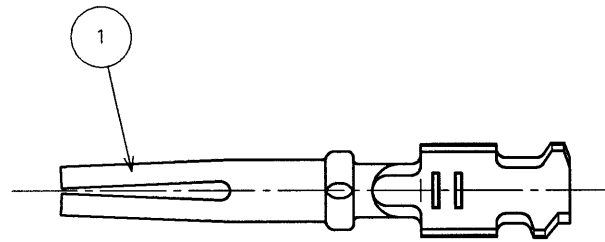
Email & Skype: info@chipsmall.com Web: www.chipsmall.com

Address: A1208, Overseas Decoration Building, #122 Zhenhua RD., Futian, Shenzhen, China



SJ021792
(DRAWING NO.) 図番

版数 SYM.	年月日 DATE	DCN NO.	変更内容 DESCRIPTION	製図 DR.	担当 CHK.	査閲 APP.	承認 APP.
2	27.Jan.1998	41373	REDRAWN		Y.NAKATOMI	<i>Y. Hayashi</i>	<i>H. Saito</i>

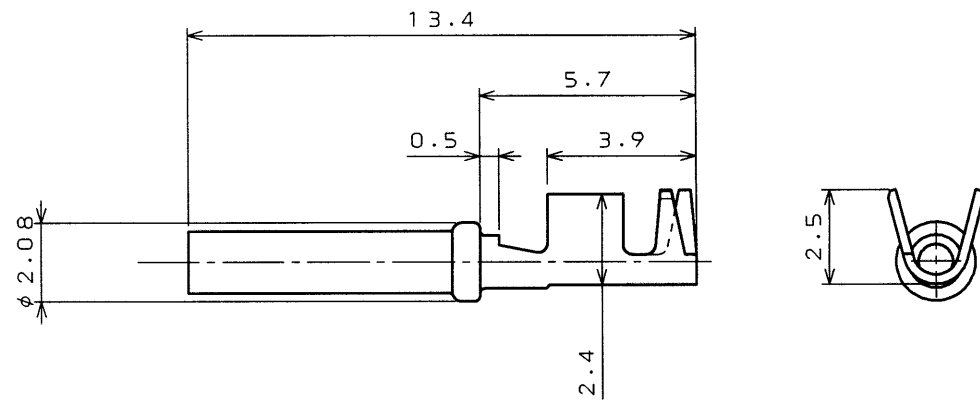


APPLICABLE WIRE
適合電線

PART NUMBER 品名	D*C-20-18P-PKG100
APPLICABLE WIRE 適合電線	AWG#18~#22 (OUTER DIAMETER:NOTE1) (仕上外径:注1)

NOTE1. OUTER DIAMETER OF CABLE AND PULLING TOOL

OUTER DIAMETER OF CABLE	PULLING TOOL	REMARKS
φ 1.2 ~ φ 1.7	J1ET-D*C-20 (PLASTIC)	_____
φ 1.2 ~ φ 1.95	ET-20D (METAL)	_____
φ 1.96 MIN.	J1ET-D*C-20 OR ET-20D	THE CASE OF PULLING OUT THE CABLE, IT MUST BE CUT.

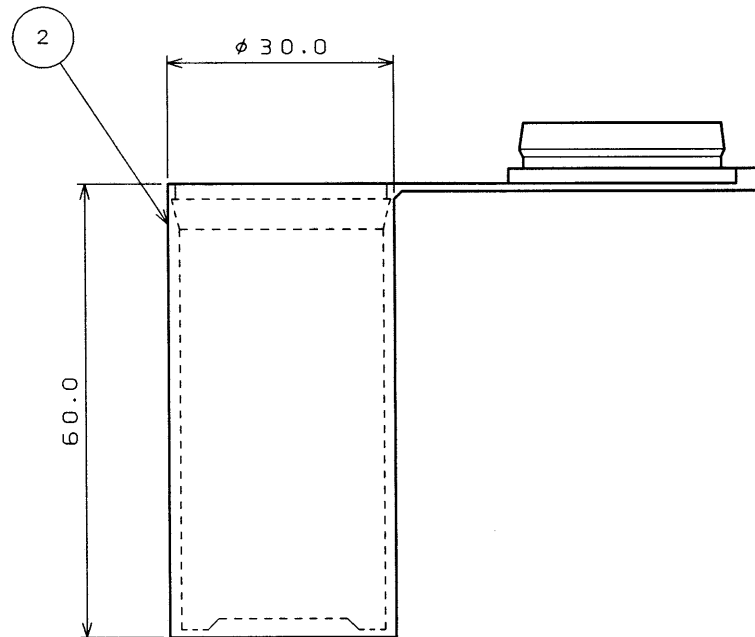


2. CONTACTS ARE PUT INTO A CASE.
(100 PIECES./CASE)

注1. 電線仕上外径と引抜工具

電線仕上外径	引抜工具	備考
φ 1.2 ~ φ 1.7	J1ET-D*C-20 (プラスチック製)	_____
φ 1.2 ~ φ 1.95	ET-20D (金属製)	_____
φ 1.96 MIN.	J1ET-D*C-20 又は ET-20D	引抜く場合は 電線を切断しなければならない。

2. コントクトは円筒ケースに100本単位で梱包されている。



2	CYLINDER CASE	1	PE		
1	D*C-20-18S	100	COPPER ALLOY	GOLD OVER NICKEL PLATING	
符号 ITEM	名称 DESCRIPTION	個数 Q'TY	材料 MATERIAL	仕上 FINISH	備考 REMARKS
仕様書(REFERENCE DOCUMENT)		第1版(DATE) 29.Jan.1987		JAE-CONNECTOR.COM Reference Only	
一般公差(GENERAL TOLERANCE)		製図 DR.		名称(TITLE) D*C -20-18S -PKG100	
寸法(DIMENSION)		担当 CHK. Y.HAYASHI		JAE AVIATION ELECTRONICS INDUSTRY, LTD.	
角度(ANGLES)		査閲 APP. Y.TAKEUCHI		図面番号(DRAWING NO.) SJ021792	
. ±		承認 APP. T.HASHIMOTO		重量(WEIGHT)	
.X ±0.4				_____	
.XX ±0.2				_____	
.XXX ±				_____	

DOF-C-2120(97.10)

CSP-5045

SIZE
A3

版数
(SYM.)
2