



Chipsmall Limited consists of a professional team with an average of over 10 year of expertise in the distribution of electronic components. Based in Hongkong, we have already established firm and mutual-benefit business relationships with customers from,Europe,America and south Asia,supplying obsolete and hard-to-find components to meet their specific needs.

With the principle of “Quality Parts,Customers Priority,Honest Operation,and Considerate Service”,our business mainly focus on the distribution of electronic components. Line cards we deal with include Microchip,ALPS,ROHM,Xilinx,Pulse,ON,Everlight and Freescale. Main products comprise IC,Modules,Potentiometer,IC Socket,Relay,Connector.Our parts cover such applications as commercial,industrial, and automotives areas.

We are looking forward to setting up business relationship with you and hope to provide you with the best service and solution. Let us make a better world for our industry!



Contact us

Tel: +86-755-8981 8866 Fax: +86-755-8427 6832

Email & Skype: info@chipsmall.com Web: www.chipsmall.com

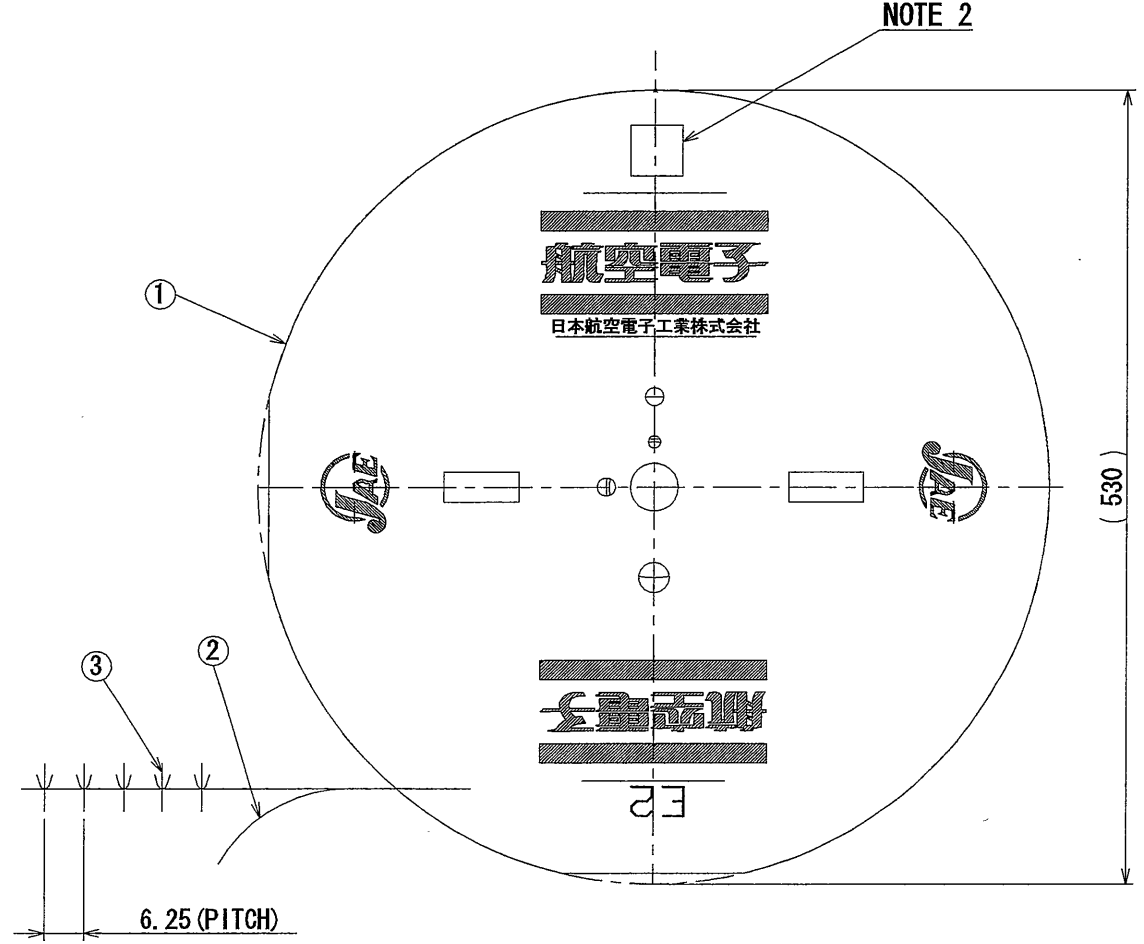
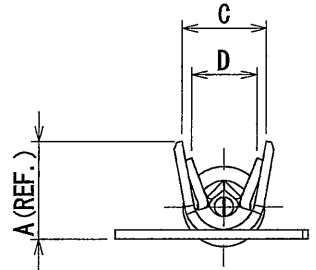
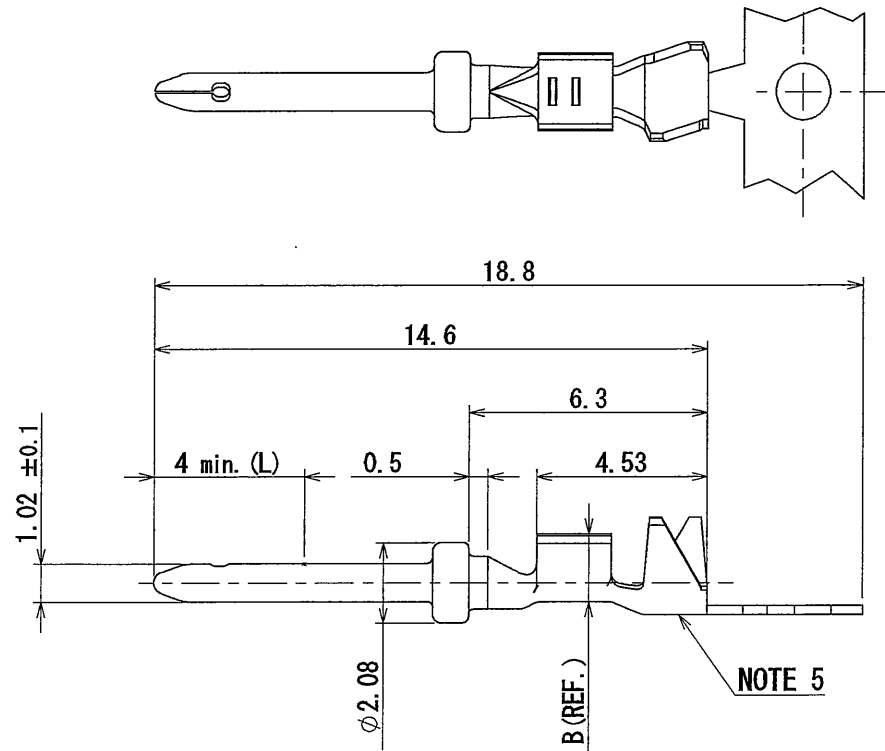
Address: A1208, Overseas Decoration Building, #122 Zhenhua RD., Futian, Shenzhen, China



6E7L10FS

(ON ENGLISH) 各異型図

| 版数 REV. | 年月日 DATE | DCN NO. | 変更内容 DESCRIPTION | 製図 DR. | 担当 CHK. | 査閲 APPD. | 承認 APPD. |
|---------|-------------|---------|--------------------------------------|--------------|----------|-----------|----------|
| 11 | 12/Nov/2010 | 071025 | Japanese→Bilingual 変更 ラベル貼り付け位置変更 | M. SHINOZAKI | K. KUGOU | O. TAKAGI | YOTSUKA |



- NOTE 1. CONTACTS ARE SUPPLIED IN REELED FROM WITH 10000 CONTACTD PER REEL.
 2. MARK TRADE PART No. AND NO. OF CONTACTS.
 3. CRIMP TOOL
 TYPE: GT350-2C-D*C (D*C SEMI AUTOMATICH CRIMPING MACHINE AWG#22~#28)
 GT350-2-D*C30 (D*C SEMI AUTOMATICH CRIMPING MACHINE AWG#28~#30)
 4. CONTACT FINISH

| | |
|-----------------|--|
| In L DIMENSIONS | GOLD OVER NICKEL (AU 0.1 μM MIN, NI 1.5 μM MIN) |
| OTHER AREA | GOLD FLASH PLATING OVER NICKEL (GOLD FLASH, NI 1.5 μM MIN) |

5. APPLICABLE WIRE IDENTIFICATION ARE MARKED AS INDICATED.
 6. EXTRACTION TOOL JIET-D*C-20 OR ET-20D IS USED.

| PART NO. | D*C-20-22P-10000 | | D*C-20-24P-10000 | |
|------------------------------|--|--|-------------------------------------|--|
| | AWG#22~24 (INSULATION DIA φ1.2~1.7) | AWG#24~28 (INSULATION DIA φ0.8~1.5) | AWG#30 (INSULATION DIA φ0.5~1.2) | |
| A | 2.6 | | 2.3 | |
| B | 1.8 | | 1.55 | |
| C | 2.2 | | 1.8 | |
| D | 1.7 | | 1.5 | |
| INDETIFICATION MARK (NOTE 5) | 22 | | 24 | |

- 注1. 本コンタクトは、リール状で供給され、10000本/リールとする。
 2. 図示の位置に品名及び数量を記入した、ラベルが貼られている。
 3. 下記の半自動圧着機に装着する。
 型式: GT350-2C-D*C (D*C半自動圧着機AWG#22~#28圧着用)
 GT350-2-D*C30 (D*C半自動圧着機AWG#28~#30圧着用)
 4. コンタクト仕上

| | |
|------|------------------------------------|
| L寸法内 | Ni上Auメッキ (Ni 1.5 μm以上、Au 0.1 μm以上) |
| その他 | Ni上Auフラッシュ (Ni 1.5 μm以上 Auフラッシュ) |

5. 図示の位置に適用電線識別マークが表示される。
 6. 引抜工具はJIET-D*C-20又は、ET-20Dを使用する。

| 品名 | D*C-20-22P-10000 | | D*C-20-24P-10000 | |
|------------|------------------------------|------------------------------|---------------------------|--|
| | AWG#22~24 (仕上外径 φ1.2~1.7) | AWG#24~28 (仕上外径 φ0.8~1.5) | AWG#30 (仕上外径 φ0.5~1.2) | |
| A | 2.6 | | 2.3 | |
| B | 1.8 | | 1.55 | |
| C | 2.2 | | 1.8 | |
| D | 1.7 | | 1.5 | |
| 識別マーク (注5) | 22 | | 24 | |

| | | | | | |
|---|-------------|-------|--------------|--------|---|
| 3 | PIN CONTACT | 10000 | COPPER ALLOY | NOTE 4 | — |
| 2 | TAPE | 1 | PAPER | — | — |
| 1 | MAGAZINE | 1 | PAPER | — | — |

| | | | |
|--------------------------|------------------------------------|--------------------------------------|---|
| 仕様書 (SPECIFICATION) | 第1版 (ORIGINAL DATE) 17/Dec/1981 | 尺度 (SCALE) | シリーズ (SERIES) Dsub |
| 一般公差 (GENERAL TOLERANCE) | 製図 DR. | 名称 (TITLE) | 日本航空電子工業株式会社 |
| 寸法 (DIMENSION) | 担当 CHK. OSAUCHI | D*C-20-22P-10000 D*C-20-24P-10000 | JAE JAPAN AVIATION ELECTRONICS INDUSTRY, LTD. |
| 角度 (ANGLES) | 査閲 APPD. | 質量 (MASS) | 図面番号 (DRAWING NO.) SJ017239 |
| ± | 承認 APPD. Y. NISHINO | | 版数 (REV.) 11 |

DCF-C-212F (05.08)

