



Chipsmall Limited consists of a professional team with an average of over 10 year of expertise in the distribution of electronic components. Based in Hongkong, we have already established firm and mutual-benefit business relationships with customers from,Europe,America and south Asia,supplying obsolete and hard-to-find components to meet their specific needs.

With the principle of “Quality Parts,Customers Priority,Honest Operation,and Considerate Service”,our business mainly focus on the distribution of electronic components. Line cards we deal with include Microchip,ALPS,ROHM,Xilinx,Pulse,ON,Everlight and Freescale. Main products comprise IC,Modules,Potentiometer,IC Socket,Relay,Connector.Our parts cover such applications as commercial,industrial, and automotives areas.

We are looking forward to setting up business relationship with you and hope to provide you with the best service and solution. Let us make a better world for our industry!



## Contact us

Tel: +86-755-8981 8866 Fax: +86-755-8427 6832

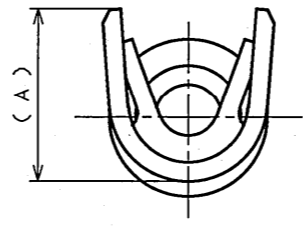
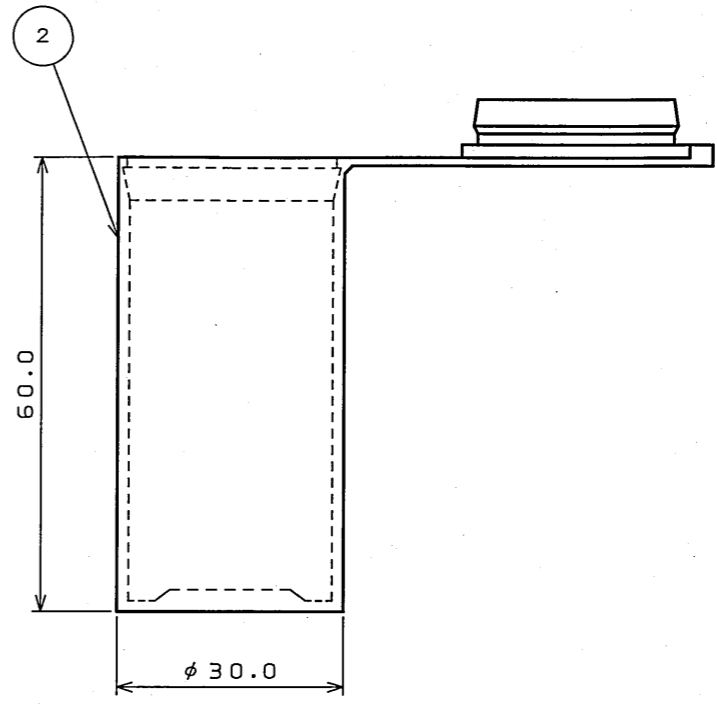
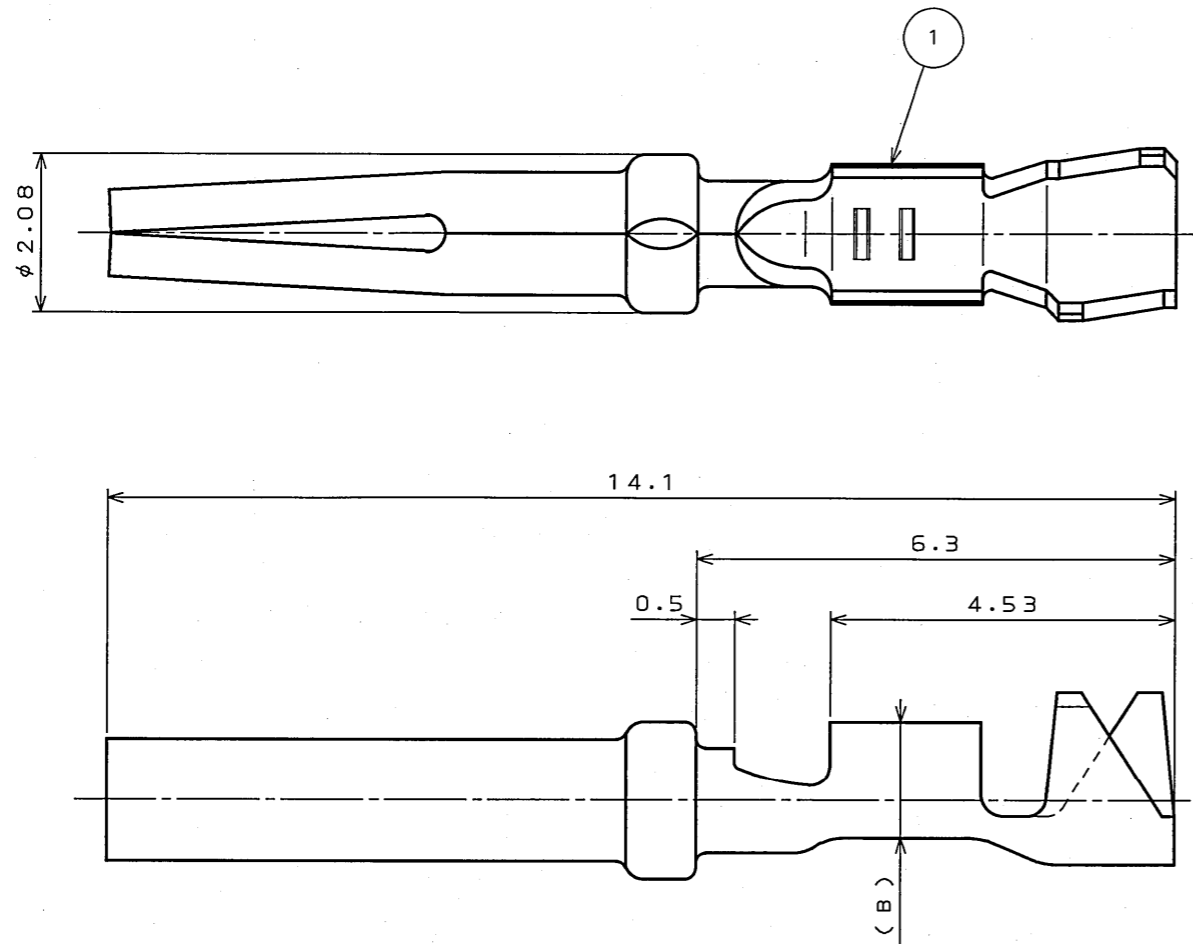
Email & Skype: info@chipsmall.com Web: www.chipsmall.com

Address: A1208, Overseas Decoration Building, #122 Zhenhua RD., Futian, Shenzhen, China



06Z1Z0PS  
(ON 0NIMVHD) 台器理図

版数 REV.	年月日 DATE	DCN NO.	変更内容 DESCRIPTION	製図 DR.	担当 CHK.	査閲 APPD.	承認 APPD.
2	30.Jun.2005	057603	REDRAWN	H.SAKURADA	T.NOMIYAMA	—	<i>J. Hashimoto</i>



PART NUMBER 品名	D*C-20-22S-PKG100	D*C-20-24S-PKG100
APPLICABLE WIRE 使用電線 NOTE 1	AWG#22~24 (OUTER DIAMETER) (仕上外径φ1.2~φ1.7)	AWG#24~28 (OUTER DIAMETER) (仕上外径φ0.8~φ1.5)
A	2.6	2.3
B	1.8	1.55

NOTE1. OUTER DIAMETER OF CABLE IS DISTINGUISHED BY EXTRACTION TOOL.

PART No. 品名	EXTRACTION TOOL 電線仕上外径 引抜工具 OUTER DIAMETER OF CABLE		JIET-D*C-20	ET-20D
	φ0.8~φ1.5	φ0.8~φ1.7		
D*C-20-22S -PKG100	φ1.2~φ1.7	φ0.8~φ1.5	φ0.8~φ1.5	φ0.8~φ1.7
D*C-20-24S -PKG100	φ0.8~φ1.5	φ0.8~φ1.5	φ0.8~φ1.5	φ0.8~φ1.7

2.CONTACTS ARE PUT INTO A CASE.  
(100 PIECES./CASE)

注1.電線仕上外径は引抜工具によって区別される。  
2.コンタクトは円筒ケースに100本単位で梱包されている。

2	CYLINDER CASE	1	PE		
1	D*C-20-2*S	100	COPPER ALLOY	GOLD OVER NICKEL PLATING	
符号 NO.	名称 DESCRIPTION	個数 QTY.	材料 MATERIAL	仕上 FINISH	備考 REMARKS
仕様書(SPECIFICATION)		第1版(ORIGINAL DATE) 29.Jan.1987		尺度(SCALE) 10:1	シリーズ(SERIES) D-sub
公差差(GENERAL TOLERANCE)		製図 DR.		名称(TITLE) D*C-20-2*S -PKG100	
寸法(DIMENSION)		担当 CHK. Y.HAYASHI		日本航空電子工業株式会社 JAPAN AVIATION ELECTRONICS INDUSTRY, LTD.	
角度(ANGLES)		査閲 APPD. Y.TAKEUCHI			
. ±		承認 APPD. S.HASHIMOTO			
.X ±0.4	X° ±			質量(MASS)	図面番号(DRAWING NO.) SJ021790
.XX ±0.2	X°X' ±				版数 (REV.) 2
.XXX ±					

DOF-0-212E(03.08)

