



Chipsmall Limited consists of a professional team with an average of over 10 year of expertise in the distribution of electronic components. Based in Hongkong, we have already established firm and mutual-benefit business relationships with customers from,Europe,America and south Asia,supplying obsolete and hard-to-find components to meet their specific needs.

With the principle of “Quality Parts,Customers Priority,Honest Operation,and Considerate Service”,our business mainly focus on the distribution of electronic components. Line cards we deal with include Microchip,ALPS,ROHM,Xilinx,Pulse,ON,Everlight and Freescale. Main products comprise IC,Modules,Potentiometer,IC Socket,Relay,Connector.Our parts cover such applications as commercial,industrial, and automotives areas.

We are looking forward to setting up business relationship with you and hope to provide you with the best service and solution. Let us make a better world for our industry!



Contact us

Tel: +86-755-8981 8866 Fax: +86-755-8427 6832

Email & Skype: info@chipsmall.com Web: www.chipsmall.com

Address: A1208, Overseas Decoration Building, #122 Zhenhua RD., Futian, Shenzhen, China





User's Guide

D0106LT-43-0601

VFD- **RoHS Compliant**

(Vacuum Fluorescent Display)

For product support, contact

Newhaven Display International
2511 Technology Drive, #101
Elgin, IL 60124

Tel: (847) 844-8795 Fax: (847) 844-8796

February 21, 2008

Vacuum Fluorescent Display Specification

PART NUMBER: D0106LT-43-0601

FEATURES: 6 Digits – Seven Segmented, with Decimal points, commas, underscores

APPLICATION: Character Display- (7-Seg)

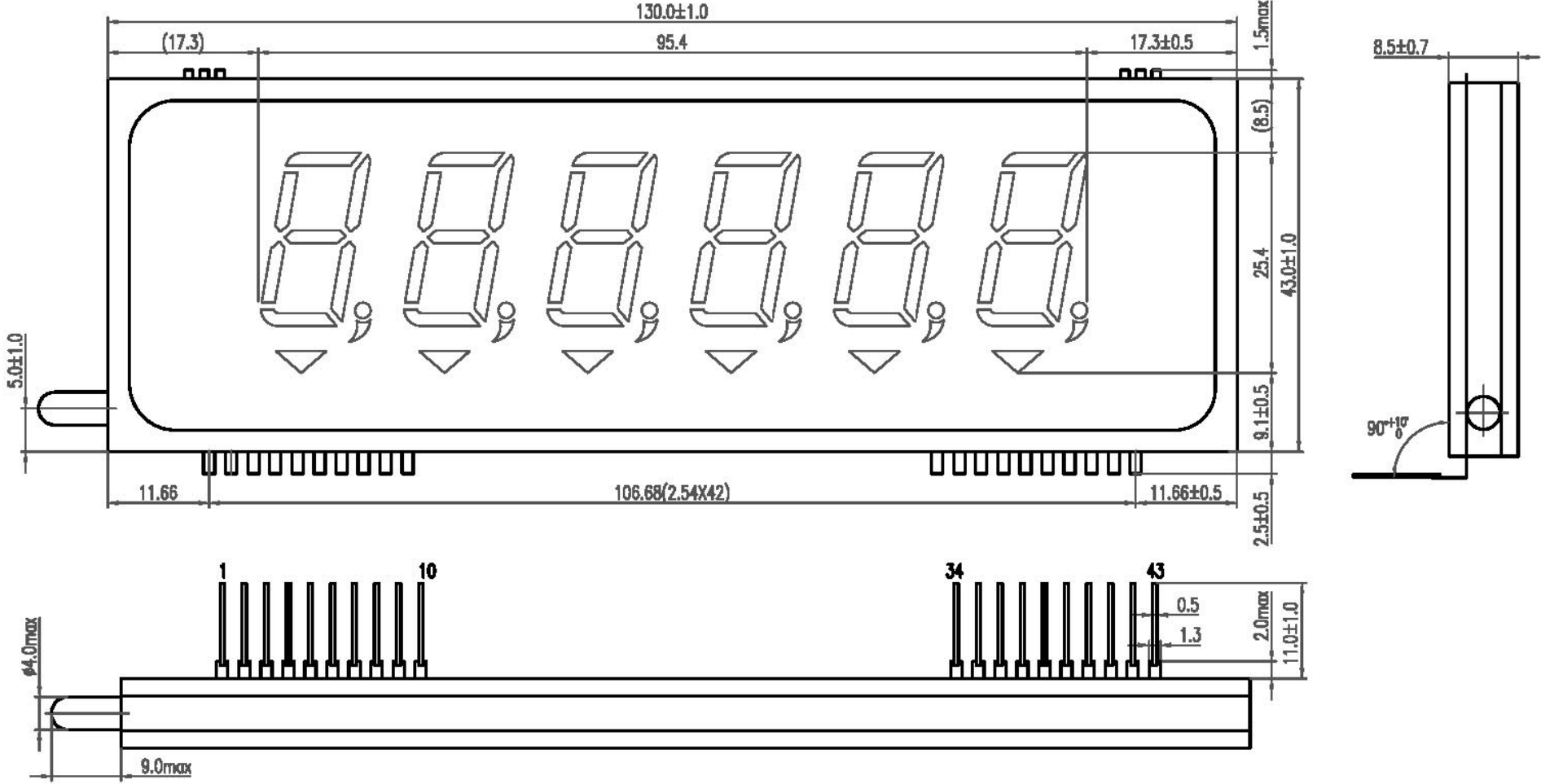
RATINGS: Below

Outer Dimensions	Panel Length	P.L.	130.0	mm	
	Panel Height	P.H.	43.0	mm	
	Panel Thickness	P.T.	8.5	mm	
Leads	Lead Pitch	L.P.	2.54	mm	
	Lead Out	-	SIL		
Character Size	Character Height	C.H.	20.0	mm	
	Character Width	C.W.	9.5	mm	
Item	Symbol	Min.	Recommended	Max.	Unit
Filament Voltage	Ef	4.0	4.4	4.8	Vac
Peak Grid Voltage	ec	-	34.0	40.0	Vp-p
Peak Anode Voltage	eb	-	34.0	40.0	Vp-p
Cut-off Bias	Ek	-	0	-	Vdc
Duty Cycle	Du	-	1/8	-	-
Pulse Width	tp	-	100	-	uS
Operating Temperature	Topr	-20	-	+ 70	C
Storage Temperature	Tstg	-55	-	+ 80	C
Color of Illumination	Green				

**Electrical
Characteristics**

Item	Symbol	Test Condition	Min.	Typical	Max.	Unit
Filament Current	if	Ef = 4.4 Vac	180.0	200.0	220.0	mAac
	-	eb = ec = 0	-	-	-	-
Anode Current	ib / 1~6G	Ef = 4.4 Vac	-	15.0	30.0	mAp-p
	-	eb = 34.0 Vp-p	-	-	-	-
	-	ec = 34.0 Vp-p	-	-	-	-
	-	Du = 1/8	-	-	-	-
	-	tp = 100uS	-	-	-	-
Grid Current	ic / 1~6G	(All segs are ON)	-	18.0	36.0	mAp-p
	-		-	-	-	-
	-		-	-	-	-
	-		-	-	-	-
	-		-	-	-	-
Luminance	L(G)		686	1372	-	cd/m ²
			(200)	(400)		fL
Luminance Ratio	Lmin/Lmax		50	-	-	%
Grid Cut-off Voltage	Ecco	Ef = 4.4 Vac Eb = 34.0 Vdc	-6.0	-	-	Vdc
Anode Cut-off Voltage	Ebco	Ef = 4.4 Vdc ec = 34.0 Vp-p Du = 1/8 Tp = 100uS	-4.0	-	-	Vdc

DRIVE MODE: Dynamic State

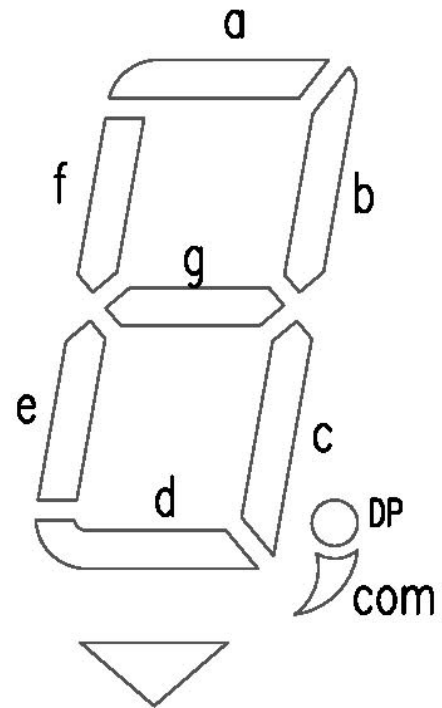
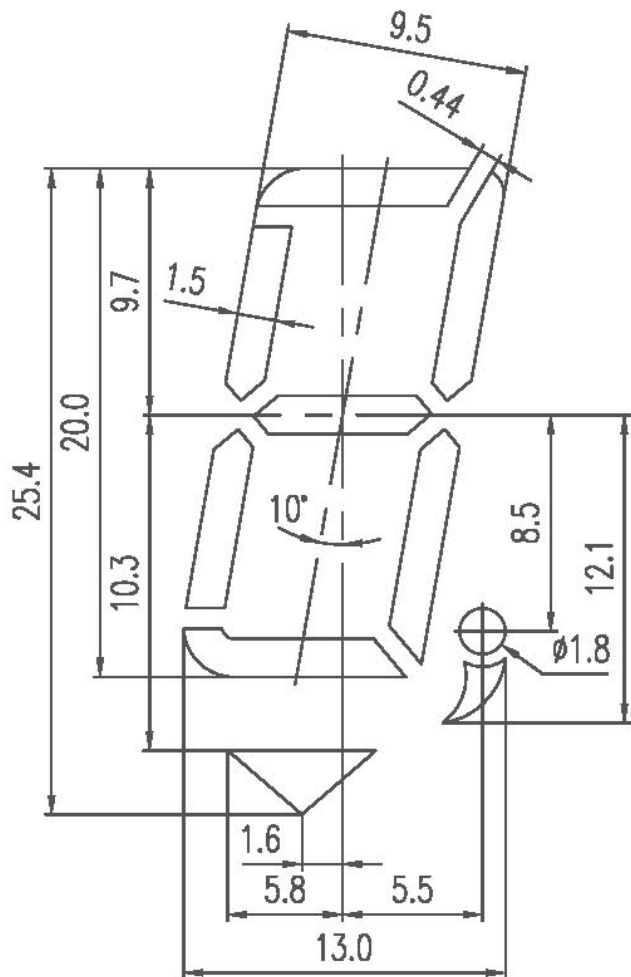
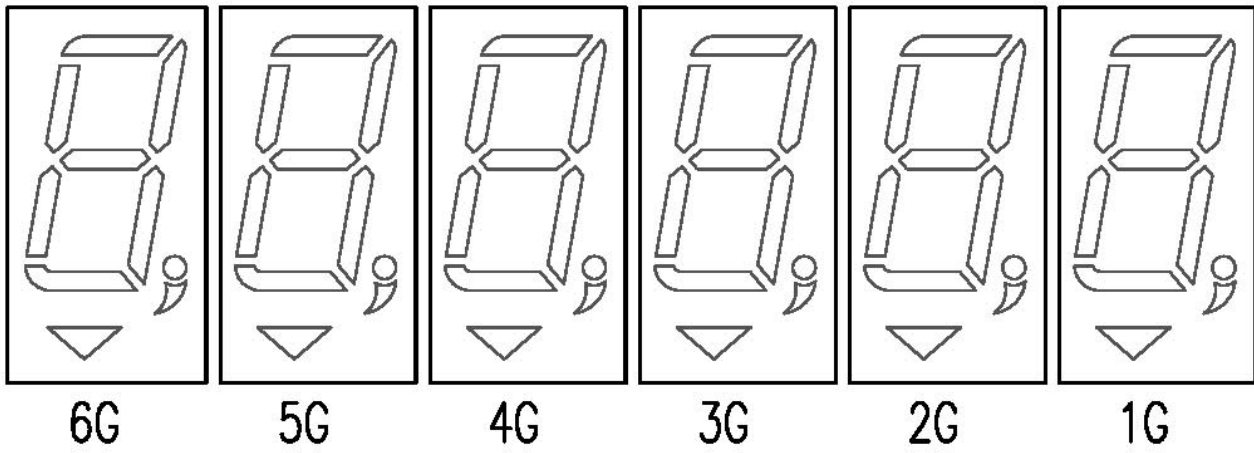


Pin Connections:

Pin Number	1	2	3	4	5	6	7	8	9	10	11	12	13	14	15	16	17	18	19	20	21	22
Connection	F	F	P6	P7	P5	P4	P10	G6	G5	G4	NP	NP	NP	NP	NP	NP	NP	NP	NP	NP	NP	NP
Pin Number	23	24	25	26	27	28	29	30	31	32	33	34	35	36	37	38	39	40	41	42	43	44
Connection	NP	NP	NP	NP	NP	NP	NP	NP	NP	NP	NP	G3	G2	G1	P9	P8	P3	P2	P1	F	F	

NOTE: F: Filament G: Grid P: Anode NP: No Pin

2: Grid Assignment:



3: Pin Assignment:

	6G	5G	4G	3G	2G	1G
P1	a	a	a	a	a	a
P2	b	b	b	b	b	b
P3	c	c	c	c	c	c
P4	d	d	d	d	d	d
P5	e	e	e	e	e	e
P6	f	f	f	f	f	f
P7	g	g	g	g	g	g
P8	DP	DP	DP	DP	DP	DP
P9	com	com	com	com	com	com
P10	▽	▽	▽	▽	▽	▽