



Chipsmall Limited consists of a professional team with an average of over 10 year of expertise in the distribution of electronic components. Based in Hongkong, we have already established firm and mutual-benefit business relationships with customers from,Europe,America and south Asia,supplying obsolete and hard-to-find components to meet their specific needs.

With the principle of “Quality Parts,Customers Priority,Honest Operation,and Considerate Service”,our business mainly focus on the distribution of electronic components. Line cards we deal with include Microchip,ALPS,ROHM,Xilinx,Pulse,ON,Everlight and Freescale. Main products comprise IC,Modules,Potentiometer,IC Socket,Relay,Connector.Our parts cover such applications as commercial,industrial, and automotives areas.

We are looking forward to setting up business relationship with you and hope to provide you with the best service and solution. Let us make a better world for our industry!



Contact us

Tel: +86-755-8981 8866 Fax: +86-755-8427 6832

Email & Skype: info@chipsmall.com Web: www.chipsmall.com

Address: A1208, Overseas Decoration Building, #122 Zhenhua RD., Futian, Shenzhen, China



User's Guide

D0109MT-20-0901

VFD- RoHS Compliant

(Vacuum Fluorescent Display Module)

For product support, contact

Newhaven Display International
2511 Technology Drive, #101
Elgin, IL 60124

Tel: (847) 844-8795 Fax: (847) 844-8796

February 22, 2008

Vacuum Fluorescent Display Specification

PART NUMBER: D0109MT-20-0901

FEATURES: 8 Digits, 7-Segmented, Automotive - **Measurement**

APPLICATION: Character Display (*7-Segmented*)

RATINGS: Below

Outer Dimensions	Panel Length	P.L.	100.0	mm	
	Panel Height	P.H.	20.5	mm	
	Panel Thickness	P.T.	6.5	mm	
Leads	Lead Pitch	L.P.	2.54	mm	
	Lead Out	-	SIL		
Character Size	Character Height	C.H.	8.0	mm	
	Character Width	C.W.	4.0	mm	
Item	Symbol	Min.	Recommended	Max.	Unit
Filament Voltage	Ef	3.42	3.80	4.18	Vac
Peak Grid Voltage	ec	10.8	40.0	50.0	Vp-p
Peak Anode Voltage	eb	10.8	40.0	50.0	Vp-p
-	tp	-	-	-	-
Duty Cycle	Du	-	1/15	-	-
Pulse Width	tp	-	100	-	uS
Operating Temperature	Topr	-20	-	+70	C
Storage Temperature	Tstg	-55	-	+ 85	C
Color of Illumination	Green				

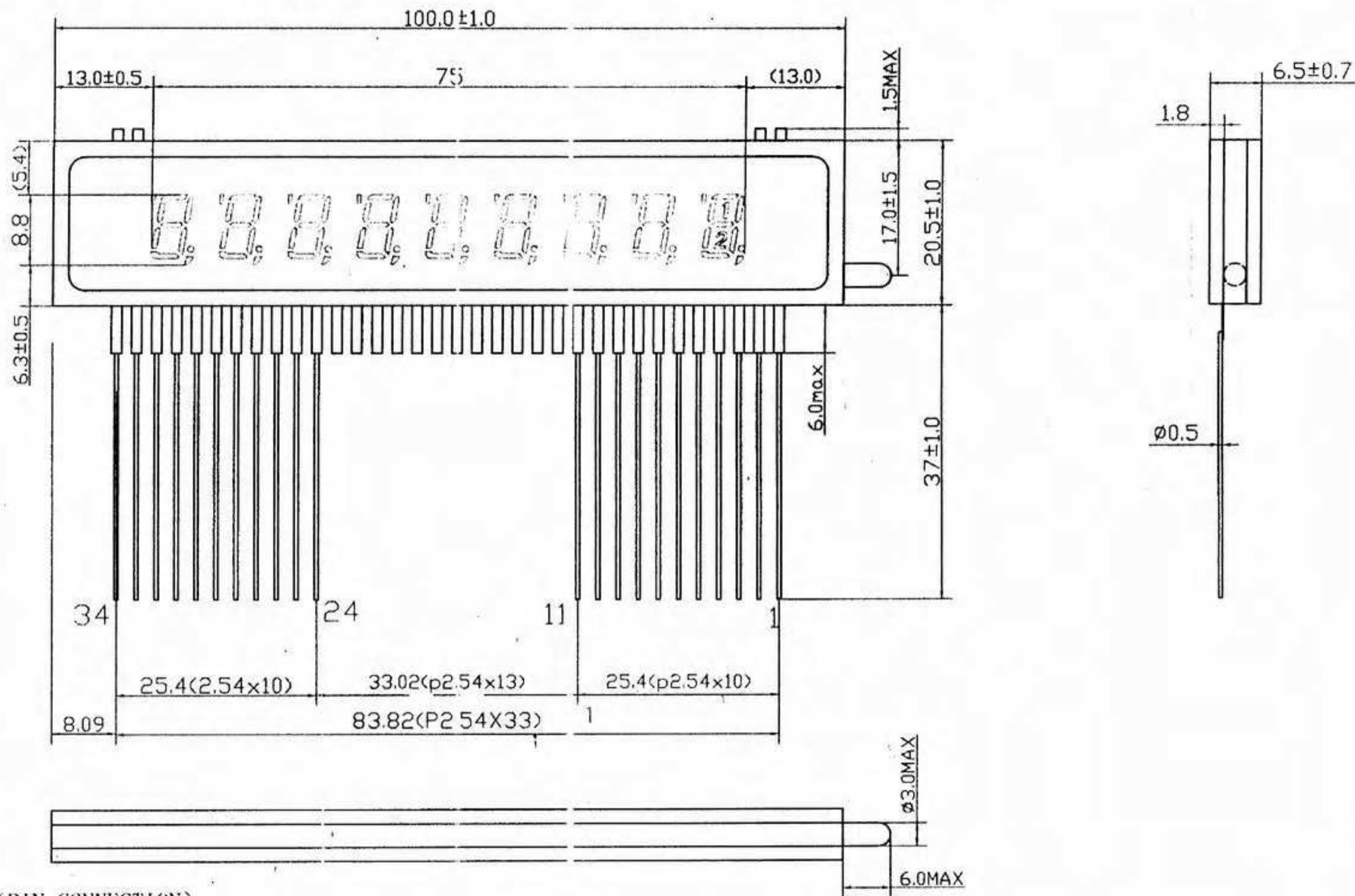
D0109MT-20-0901

**Electrical
Characteristics**

Item	Symbol	Test Condition	Min.	Typical	Max.	Unit
Filament Current	lf	Ef = 3.8 Vac eb = ec = 0	97.2	108.0	118.8	mAac
	-		-	-	-	-
Anode Current	ib / 1G	Ef = 3.8 Vac eb = 40.0 Vp-p ec = 40.0 Vp-p Du = 1/15 tp = 100uS	-	9.0	18.0	mA _{p-p}
	ib / 2~9G		-	8.0	16.0	mA _{p-p}
	-		-	-	-	mA _{p-p}
	-		-	-	-	mA _{p-p}
	-		-	-	-	mA _{p-p}
Grid Current	ic / 1~9C		-	10.0	20.0	mA _{p-p}
	-		-	-	-	mA _{p-p}
	-		-	-	-	mA _{p-p}
	-		-	-	-	mA _{p-p}
	-		-	-	-	mA _{p-p}
Luminance	L(G)		500	1000	-	cd/m ²
	-		(246)	(292)	-	fL
Luminance Ratio	Lmin/Lmax		50	-	-	%
Grid Cut-off Voltage	Ecco	Ef = 3.8 Vac eb = 40.0 Vdc	-4.5	-	-	Vdc
Anode Cut-off Voltage	Ebco	Ef = 3.8 Vac ec = 40.0 Vp-p Du = 1/15 tp = 100uS	-4.5	-	-	Vdc

Drive Mode = Dynamic State

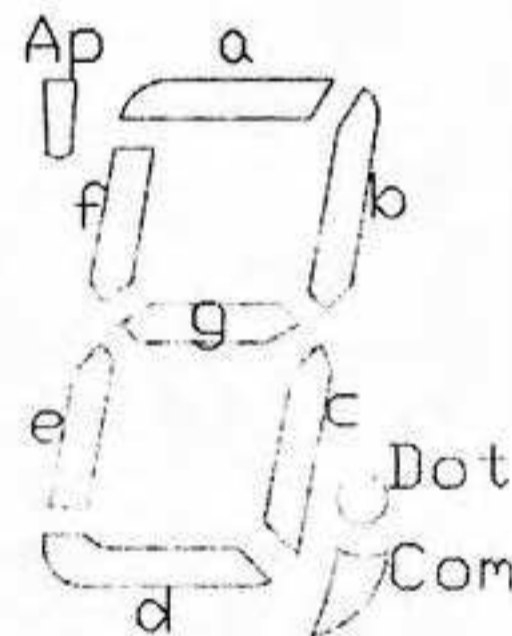
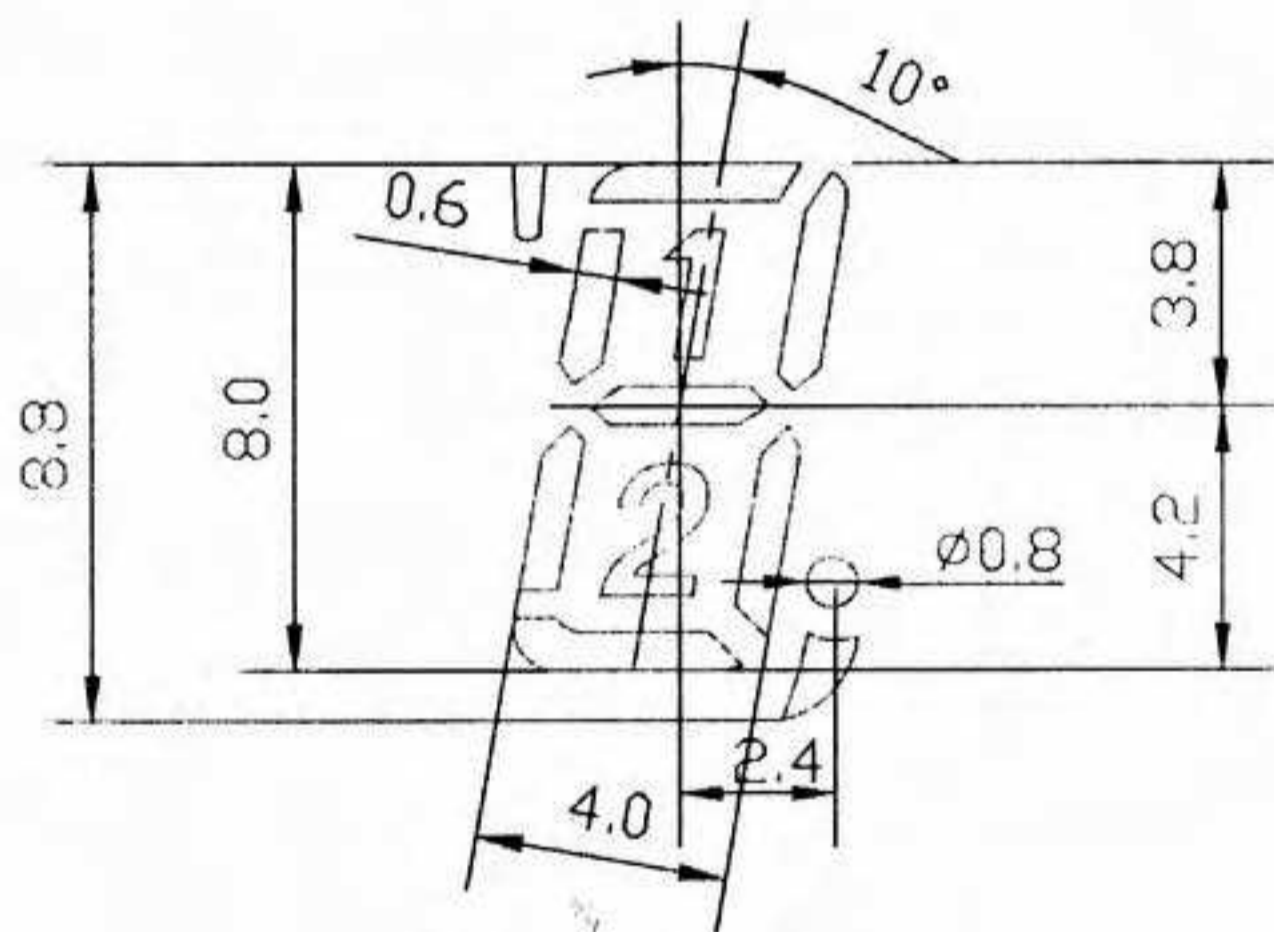
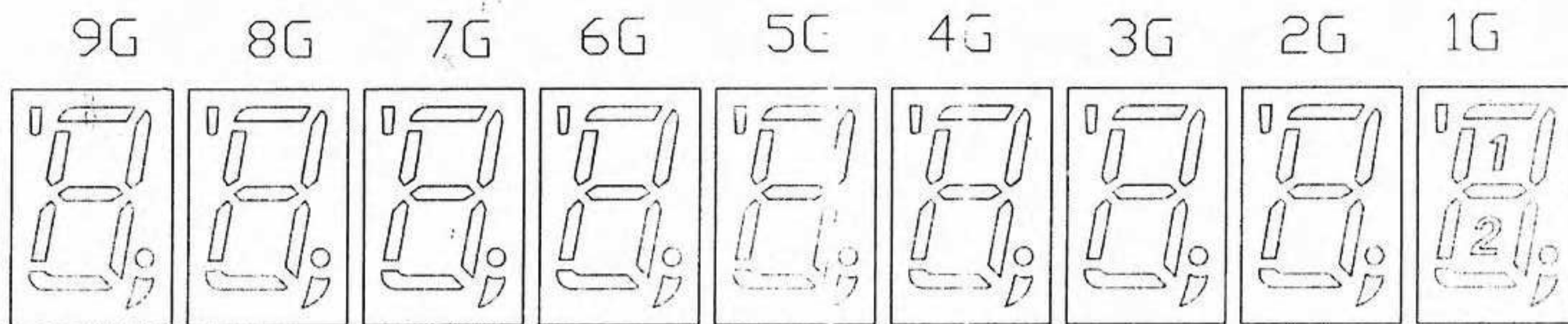
外形图 (OUTER DIMENSION) (UNIT IN mm)



管脚连接 (PIN CONNECTION)

管脚序号 (PIN NO.)	1	2	3	4	5	6	7	8	9	10	11	12	13	14	15	16	17	18	19	20	21	22	23	24	25	26	27	28	29	30	31	32	33	34	
连接 (CONNECTION)	F	a	b	12	c	dot	COM	1G	2G	3G	4G	NC	NC	NC	NC	NC	NC	NC	NC	NC	NC	NC	NC	5G	6G	7G	8G	9G	d	e	g	f	A	P	F

栅极分割: (GRID ASSIGNMENT)



显示颜色(COLOR OF ILLUMINATION): 绿色

(GREEN): X=0.250, Y=0.440

