



Chipsmall Limited consists of a professional team with an average of over 10 year of expertise in the distribution of electronic components. Based in Hongkong, we have already established firm and mutual-benefit business relationships with customers from,Europe,America and south Asia,supplying obsolete and hard-to-find components to meet their specific needs.

With the principle of “Quality Parts,Customers Priority,Honest Operation,and Considerate Service”,our business mainly focus on the distribution of electronic components. Line cards we deal with include Microchip,ALPS,ROHM,Xilinx,Pulse,ON,Everlight and Freescale. Main products comprise IC,Modules,Potentiometer,IC Socket,Relay,Connector.Our parts cover such applications as commercial,industrial, and automotives areas.

We are looking forward to setting up business relationship with you and hope to provide you with the best service and solution. Let us make a better world for our industry!



## Contact us

Tel: +86-755-8981 8866 Fax: +86-755-8427 6832

Email & Skype: info@chipsmall.com Web: www.chipsmall.com

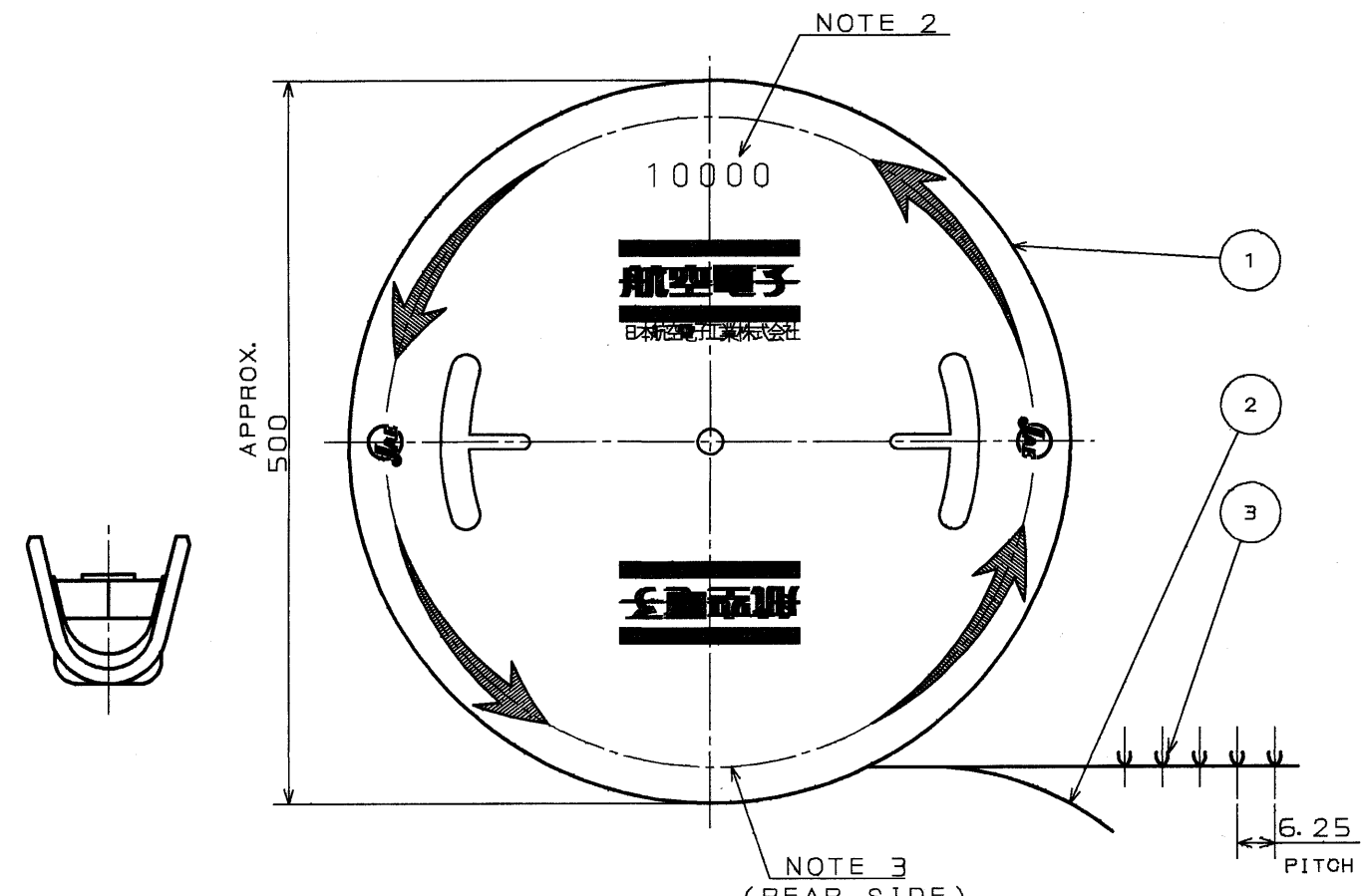
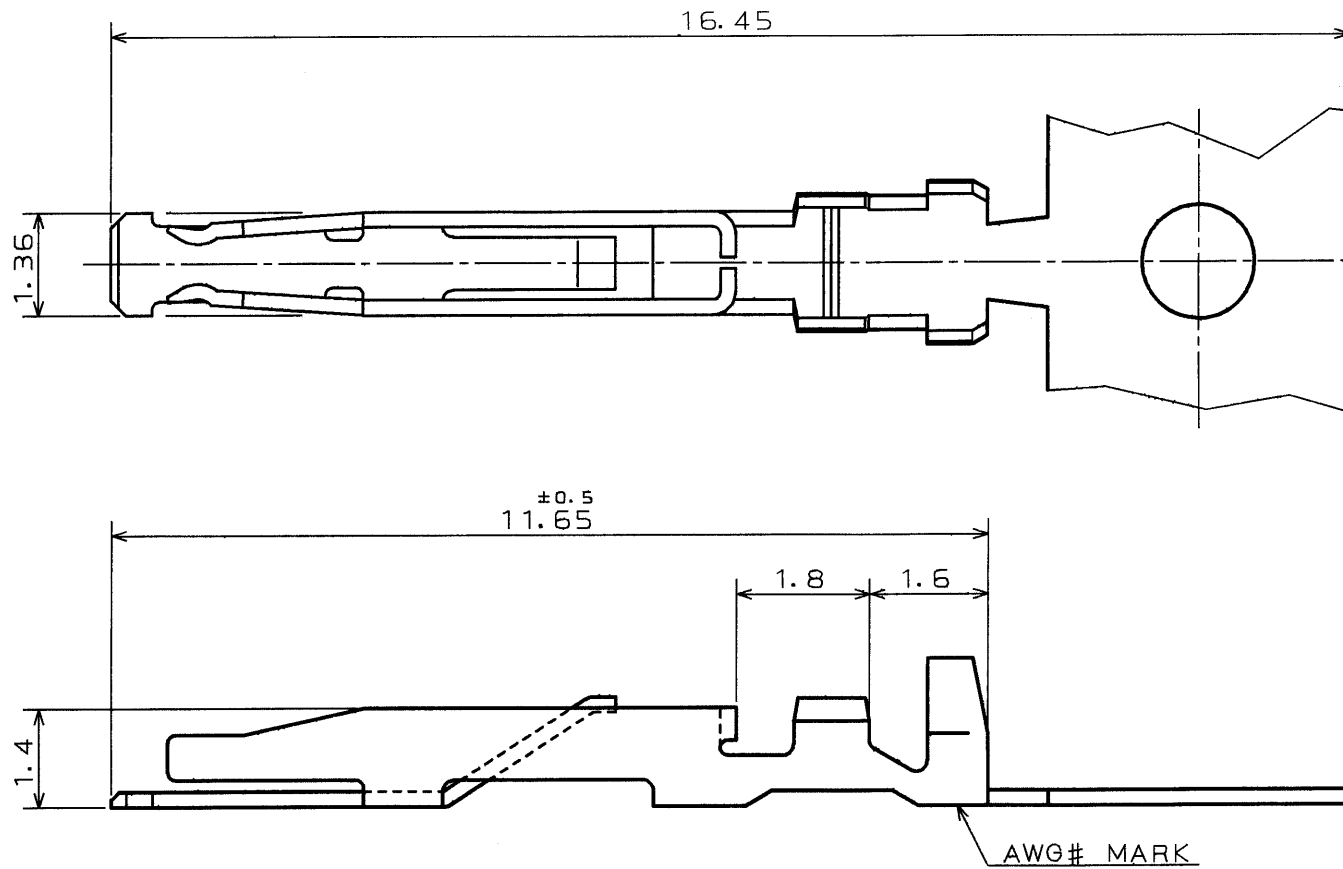
Address: A1208, Overseas Decoration Building, #122 Zhenhua RD., Futian, Shenzhen, China



SJ021508-E

DWG. NO.

SYM	DCN NO.	DESCRIPTION	DATE	DRAWN	CHECKED	APP' D	APP' D



DESCRIPTION	APPLICABLE WIRE		AWG# MARK
	WIRE SIZE	OUTER DIA. OF INSUL.	
D02-22-22S-10000	AWG#22~24	1.3 <sup>DIA.</sup> MAX.	22
D02-22-26S-10000	AWG#26~28	1.1 <sup>DIA.</sup> MAX.	26

NOTE 1. CONTACT TO BE SUPPLIED IN REELED FORM.  
 (10,000 CONTACT/REEL)  
 2. NUMBER OF CONTACTS TO BE SHOWN ON THIS PORTION.  
 3. LABEL SHOWING PART NUMBER & Q' TY TO BE PUT ON THIS PORTION.

ITEM	DESCRIPTION	Q' TY	MATERIAL	FINISH	REMARKS
3	SOCKET CONTACT	10000	COPPER ALLOY	GOLD OVER NICKEL	
2	PAPER TAPE	1	PAPER		
1	MAGAZINE	1	PAPER		

REFERENCE DOCUMENT JACS-3050-2	DATE 30. OCT. '90	SCALE 10:1	<b>JAE-CONNECTOR ROOM</b> Reference Only  MUSASHINO, AKISHIMA-SHI TOKYO, JAPAN
MATERIAL	DRAWN H. KATO	TITLE D02-22-22S-10000 D02-22-26S-10000	
TREATMENT	CHECKED O. OTSUKA		
FINISH	APP' D <i>Y. NISHINO</i>	SERIES D02	
DWG. NO. SJ021508-E			

DIMENSIONS ARE IN MILLIMETERS  
 TOLERANCES ON: (INCHES)

DIMENSION	ANGLES	CONCENTRICITY
. ± 0.3	X° ±	WITHIN T. I. R.
.X ± 0.3	X°X' ±	
.XX ±		
.XXX ±		

DCF-115A



SIZE A3 CDS-1201