



Chipsmall Limited consists of a professional team with an average of over 10 year of expertise in the distribution of electronic components. Based in Hongkong, we have already established firm and mutual-benefit business relationships with customers from,Europe,America and south Asia,supplying obsolete and hard-to-find components to meet their specific needs.

With the principle of “Quality Parts,Customers Priority,Honest Operation,and Considerate Service”,our business mainly focus on the distribution of electronic components. Line cards we deal with include Microchip,ALPS,ROHM,Xilinx,Pulse,ON,Everlight and Freescale. Main products comprise IC,Modules,Potentiometer,IC Socket,Relay,Connector.Our parts cover such applications as commercial,industrial, and automotives areas.

We are looking forward to setting up business relationship with you and hope to provide you with the best service and solution. Let us make a better world for our industry!



Contact us

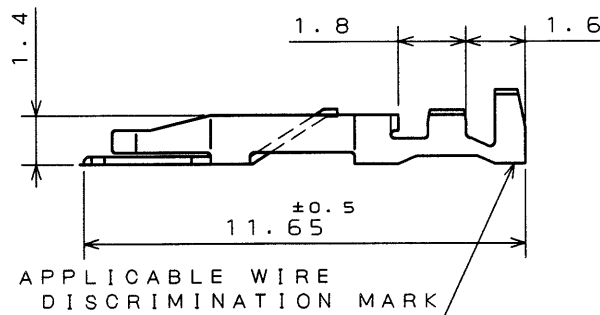
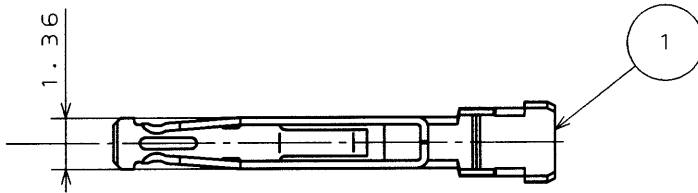
Tel: +86-755-8981 8866 Fax: +86-755-8427 6832

Email & Skype: info@chipsmall.com Web: www.chipsmall.com

Address: A1208, Overseas Decoration Building, #122 Zhenhua RD., Futian, Shenzhen, China



版数 REV.	年月日 DATE	DCN NO.	変更内容 DESCRIPTION	製図 DR.	担当 CHK.	査閲 APPD.	承認 APPD.
2	1.Jun.1999	44191	REDRAWN AND CHANGED TITLE		M.ITOU	<i>J. Kubota</i>	<i>M. Arita</i>



適用ワイヤ識別マーク



PART NO. 品番	DESCRIPTION 名称	APPLICABLE WIRE 適用電線		DISCRIMINATION MARK 識別マーク
		SIZE 電線サイズ	INSULATION DIA. 仕上外径	
031-51413	D02-22-22S-PKG100	AWG #22~24	φ 1.3 MAX.	22
031-51411	D02-22-26S-PKG100	AWG #26~28	φ 1.1 MAX.	26

1	CONTACT	100	COPPER ALLOY	GOLD PLATING OVER NICKEL	Au:0.1μm MIN.
符号 NO.	名称 DESCRIPTION	個数 QTY.	材料 MATERIAL	仕上 FINISH	備考 REMARKS

仕様書 (SPECIFICATION)		第1版 (ORIGINAL DATE) 14.Mar.1986		名称 (TITLE) D02-22-2※S -PKG100		日本航空電子工業株式会社	
公差 (GENERAL TOLERANCE)		製図 DR.		JAE-CONNECTOR.COM Reference Only AVIATION ELECTRONICS INDUSTRY, LTD.		図面番号 (DRAWING NO.) SJ020777	
寸法 (DIMENSION)		担当 CHK.					
角度 (ANGLES)		査閲 APPD.					
		承認 APPD.					
. ± .X ± 0.3 .XX ± 0.3 .XXX ±		Y.HAYASHI Y.TAKEUCHI Y.NISHINO KANEDA		シリーズ (SERIES) D02		尺度 (SCALE) 5:1	
						版数 (REV.) 2	

本図面は日本航空電子工業(株)の所有する情報を含むもので当社の許可なく複製を禁止する。
THIS DRAWING CONTAINS INFORMATION THAT IS PROPRIETARY TO JAE AND CAN NOT BE REPRODUCED WITHOUT WRITTEN CONSENT OF JAE

DCF-C-211D(98.02)

CDS-1085

SIZE A4