



Chipsmall Limited consists of a professional team with an average of over 10 year of expertise in the distribution of electronic components. Based in Hongkong, we have already established firm and mutual-benefit business relationships with customers from,Europe,America and south Asia,supplying obsolete and hard-to-find components to meet their specific needs.

With the principle of “Quality Parts,Customers Priority,Honest Operation,and Considerate Service”,our business mainly focus on the distribution of electronic components. Line cards we deal with include Microchip,ALPS,ROHM,Xilinx,Pulse,ON,Everlight and Freescale. Main products comprise IC,Modules,Potentiometer,IC Socket,Relay,Connector.Our parts cover such applications as commercial,industrial, and automotives areas.

We are looking forward to setting up business relationship with you and hope to provide you with the best service and solution. Let us make a better world for our industry!



Contact us

Tel: +86-755-8981 8866 Fax: +86-755-8427 6832

Email & Skype: info@chipsmall.com Web: www.chipsmall.com

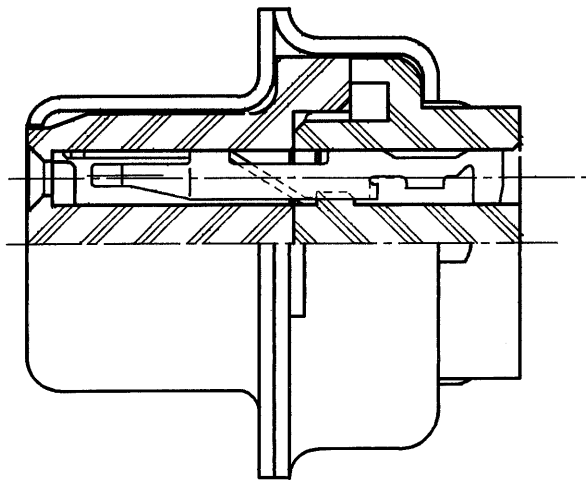
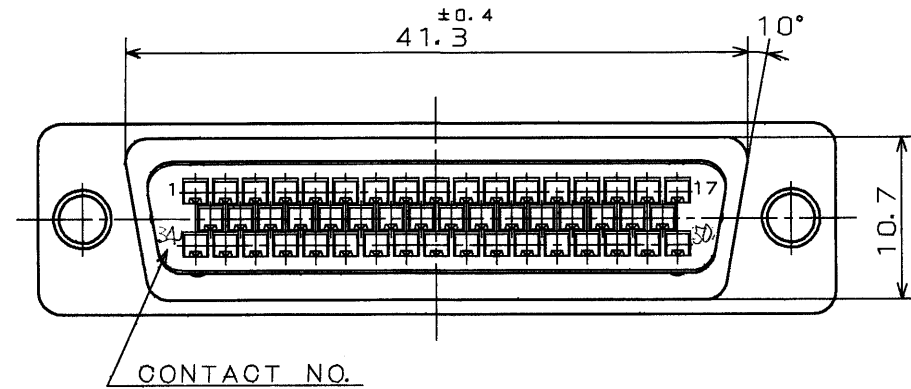
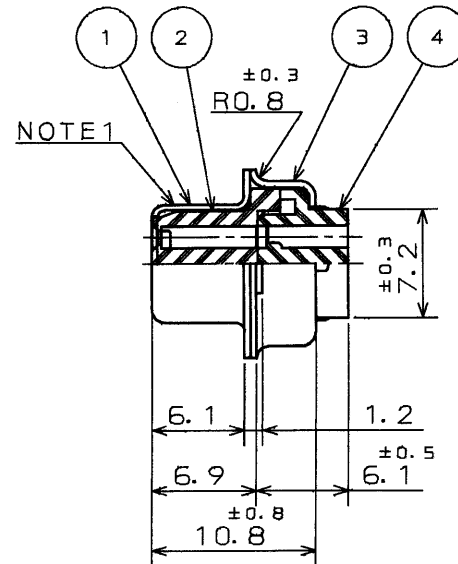
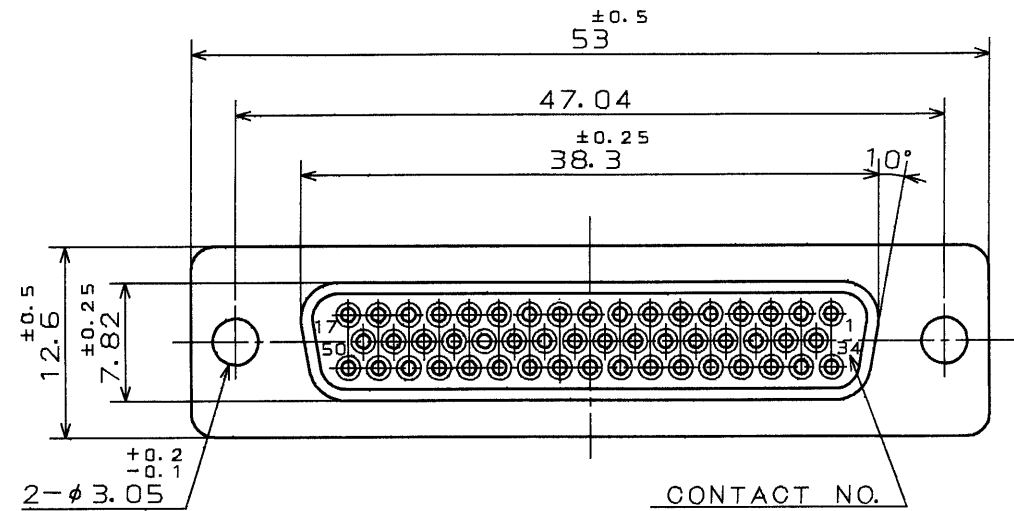
Address: A1208, Overseas Decoration Building, #122 Zhenhua RD., Futian, Shenzhen, China



SJ021506-E

DWG. NO.

SYM	DCN NO.	DESCRIPTION	DATE	DRAWN	CHECKED	APP' D	APP' D



CONTACT INSERTED

- NOTE 1. MARKS "JAE" & PART NO. ARE SHOWN ON THIS PORTION.
 "-FO" IS NOT MARKED ON CONNECTOR.
- FOR CONTACT ARRANGEMENTS SEE DWG. SJ017233.
 - FOR PANEL COTOUT DIMENSIONS SEE DWG. SJ013596.
 - CONTACT TO BE ORDERED SEPARATELY.

ITEM	DESCRIPTION	Q'TY	MATERIAL	FINISH	REMARKS
4	REAR INSULATOR	1	GLASS FILLED NYLON	(COLOR:BLACK)	UL94 V-0
3	REAR SHELL	1	STEEL	NICKEL PLATE	
2	FRONT INSULATOR	1	GLASS FILLED NYLON	(COLOR:BLACK)	UL94 V-0
1	FRONT SHELL	1	STEEL	NICKEL PLATE	

REFERENCE DOCUMENT JACS-3050-2	DATE 30. OCT. '90	SCALE 2:1	JAE-CONNECTOR.COM Reference Only		
MATERIAL	DRAWN H. KATO	TITLE D02-50SF-N-FO	MUSASHINO, AKISHIMA-SHI TOKYO, JAPAN		
TREATMENT	CHECKED Y. OTSUKA	APP' D <i>Y. NISHINO</i>	DWG. NO. SJ021506-E		
FINISH	APP' D Y. NISHINO	SERIES D02			

DIMENSIONS ARE IN MILLIMETERS
TOLERANCES ON: (INCHES)

DIMENSION	ANGLES
. ±	X° ± 1°
.X ± 0.4	X°X' ±
.XX ± 0.13	CONCENTRICITY
.XXX ±	WITHIN T.I.R.

DCCF-115A



CDS-1201

SIZE A3