



Chipsmall Limited consists of a professional team with an average of over 10 year of expertise in the distribution of electronic components. Based in Hongkong, we have already established firm and mutual-benefit business relationships with customers from,Europe,America and south Asia,supplying obsolete and hard-to-find components to meet their specific needs.

With the principle of “Quality Parts,Customers Priority,Honest Operation,and Considerate Service”,our business mainly focus on the distribution of electronic components. Line cards we deal with include Microchip,ALPS,ROHM,Xilinx,Pulse,ON,Everlight and Freescale. Main products comprise IC,Modules,Potentiometer,IC Socket,Relay,Connector.Our parts cover such applications as commercial,industrial, and automotives areas.

We are looking forward to setting up business relationship with you and hope to provide you with the best service and solution. Let us make a better world for our industry!



Contact us

Tel: +86-755-8981 8866 Fax: +86-755-8427 6832

Email & Skype: info@chipsmall.com Web: www.chipsmall.com

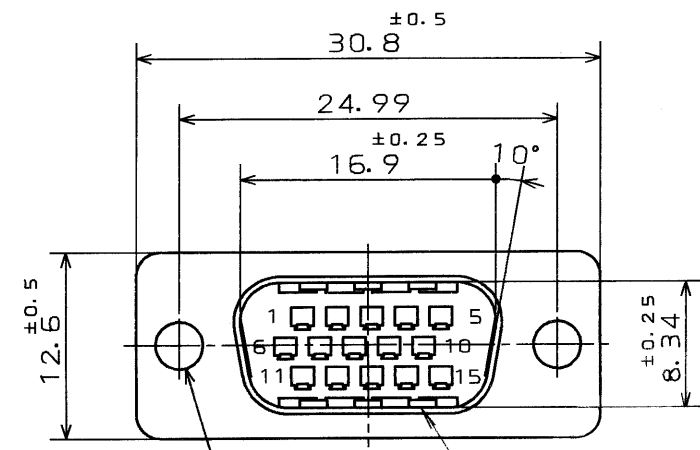
Address: A1208, Overseas Decoration Building, #122 Zhenhua RD., Futian, Shenzhen, China



SJ021705-E

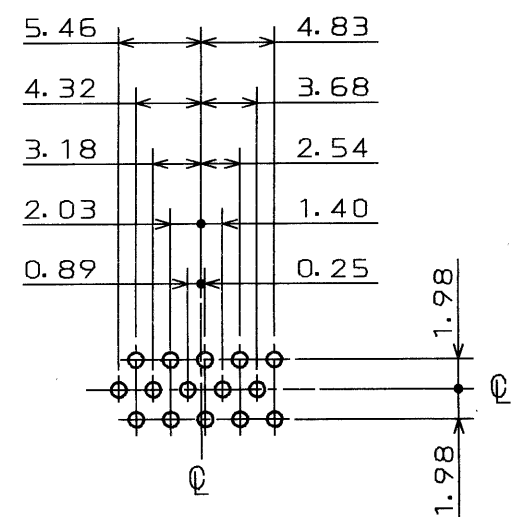
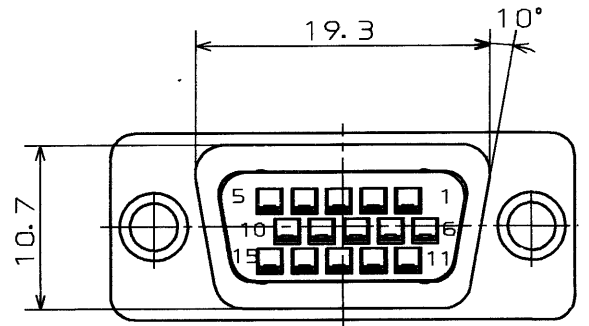
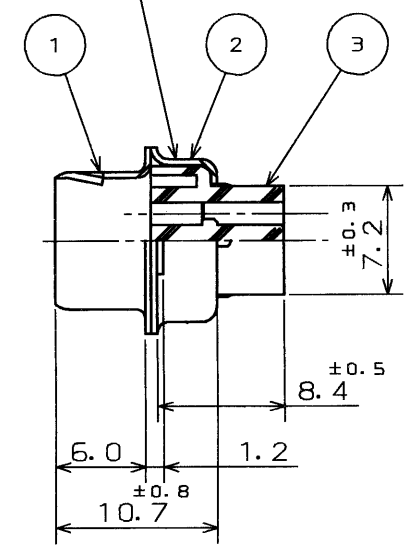
DWG. NO.

SYM	DCN NO.	DESCRIPTION	DATE	DRAWN	CHECKED	APP'D	APP'D



GROUNDING DIMPLE

NOTE 3

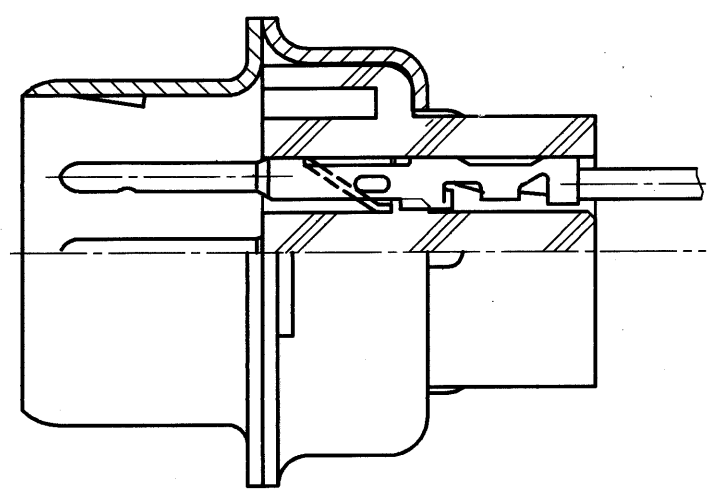
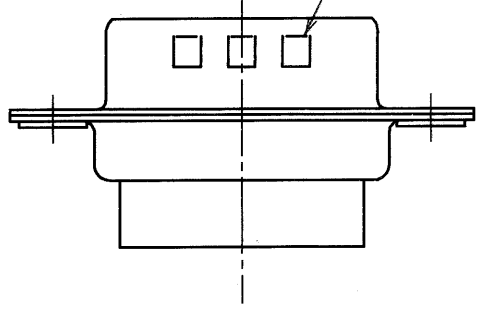


INSERT ARRANGEMENT (FRONT VIEW)

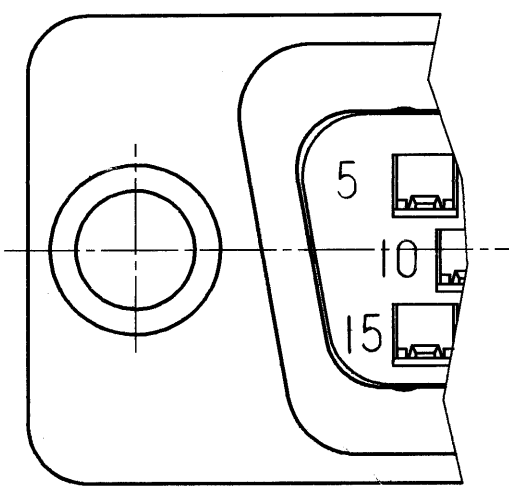
PART NUMBER EXPLANATION

D02 - M 15 P G - N - FO

WITHOUT CONTACT
 STAMP CONTACT
 FCC TYPE, TIN PLATED SHELL
 PIN CONTACT
 NUMBER OF CONTACTS
 INSERT ARRANGEMENT PER MIL(MS-18273)
 SERIES PREFIX



PIN CONTACT INSERTED



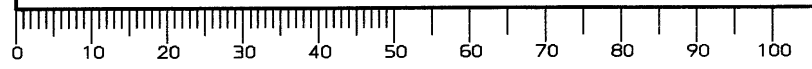
NOTE 1. CONTACT TO BE ORDERED SEPARATELY.
 2. FOR PANEL CUTOUT DIMENSIONS, SEE OUR DWG. SJ013596.
 3. MARKS "JAE" & P/N "D02M15PG" ARE SHOWN ON THIS PORTION.

ITEM	DESCRIPTION	Q'TY	MATERIAL	FINISH	REMARKS
3	INSULATOR	1	GLASS FILLED NYLON		UL94V-0, BLACK
2	REAR SHELL	1	STEEL	TIN PLATE	
1	FRONT SHELL	1	STEEL	TIN PLATE	EMBOSS

REFERENCE DOCUMENT T86-11 JACS-3050-2	DATE 9 JUN. '87	SCALE 2/1	TITLE D02-M15PG-N-FO	INDUSTRY, LTD.
MATERIAL	E. MURANO	JAE CONNECTOR CO. JAPAN AVIATION ELECTRONICS		
TREATMENT	CHECKED Y. HAYASHI	Reference Only		
FINISH	APP'D <i>Y. Takouchi</i>	NAKAGAMI-CHO, AKISHIMA-SHI TOKYO, JAPAN		
	APP'D <i>S. Iwashimoto</i>	SERIES	DWG. NO. SJ021705-E	

DIMENSIONS ARE IN MILLIMETERS TOLERANCES ON: (INCHES)	
DIMENSION	ANGLES
. ±	X° ±
.X ± 0.4	X°X' ±
.XX ± 0.13	CONCENTRICITY
.XXX ±	WITHIN T. J. R.

DOF-115A



SIZE A3