



Chipsmall Limited consists of a professional team with an average of over 10 year of expertise in the distribution of electronic components. Based in Hongkong, we have already established firm and mutual-benefit business relationships with customers from,Europe,America and south Asia,supplying obsolete and hard-to-find components to meet their specific needs.

With the principle of “Quality Parts,Customers Priority,Honest Operation,and Considerate Service”,our business mainly focus on the distribution of electronic components. Line cards we deal with include Microchip,ALPS,ROHM,Xilinx,Pulse,ON,Everlight and Freescale. Main products comprise IC,Modules,Potentiometer,IC Socket,Relay,Connector.Our parts cover such applications as commercial,industrial, and automotives areas.

We are looking forward to setting up business relationship with you and hope to provide you with the best service and solution. Let us make a better world for our industry!



Contact us

Tel: +86-755-8981 8866 Fax: +86-755-8427 6832

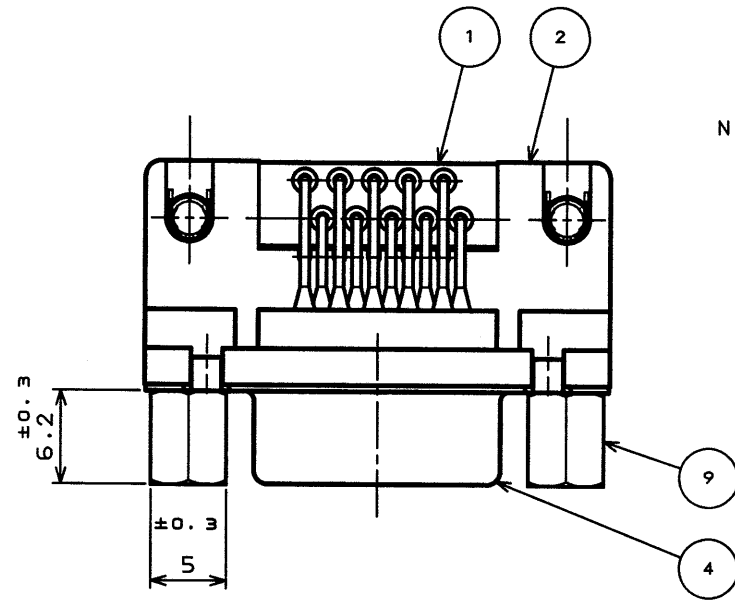
Email & Skype: info@chipsmall.com Web: www.chipsmall.com

Address: A1208, Overseas Decoration Building, #122 Zhenhua RD., Futian, Shenzhen, China

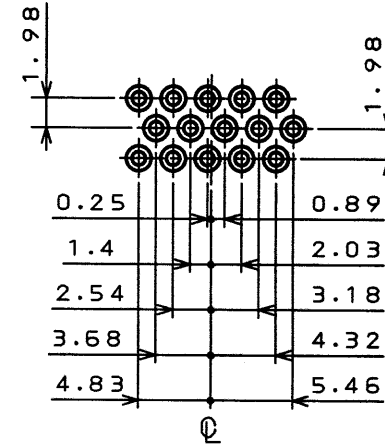
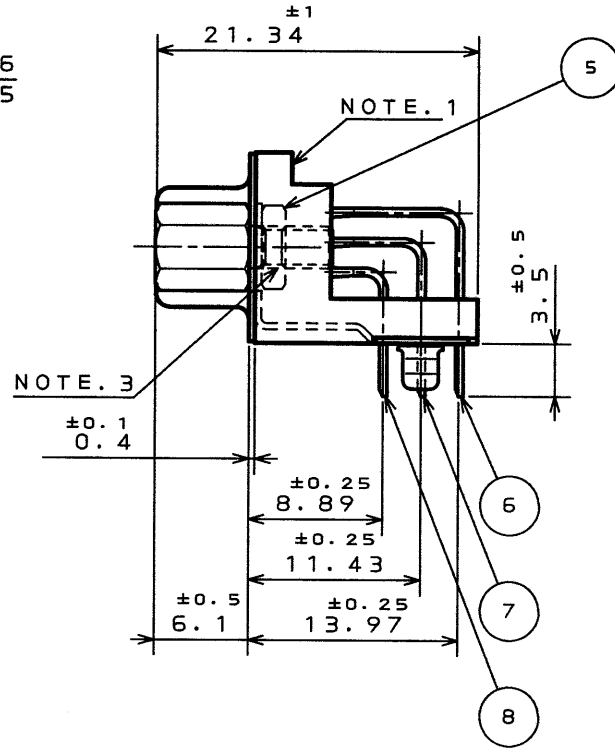
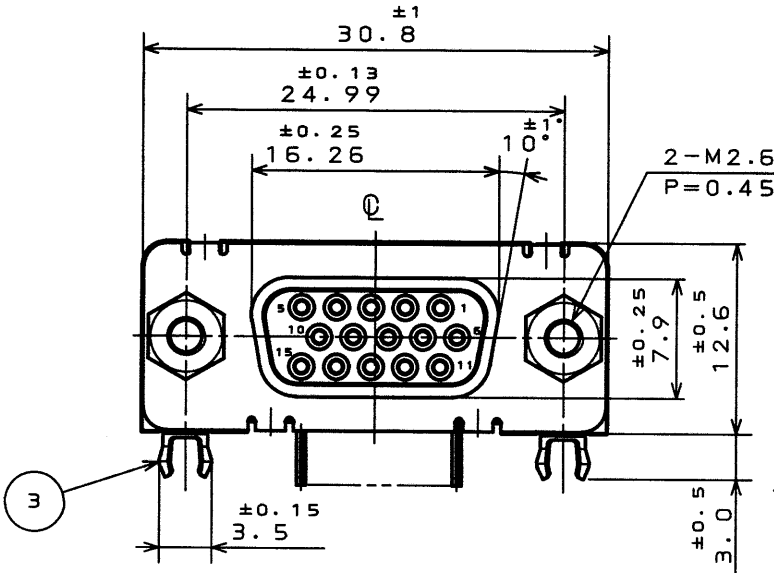


78E8E07S
(ON 01M7H0) 台番図

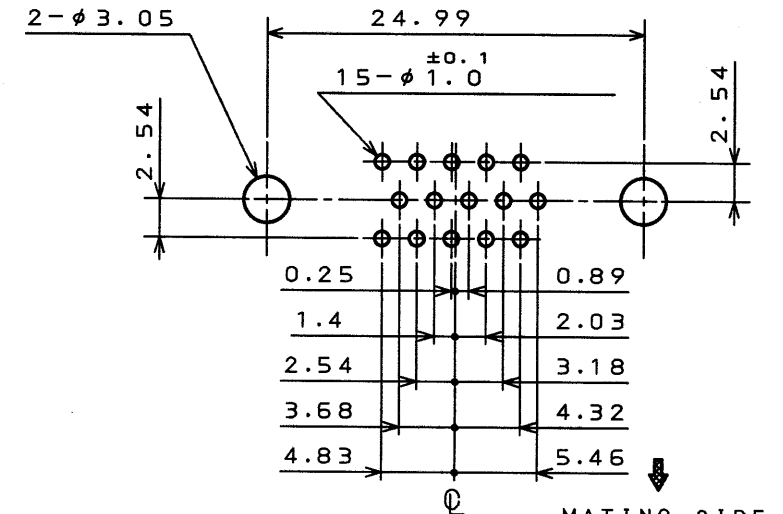
版数 REV.	年月日 DATE	DCN NO.	変更内容 DESCRIPTION	製図 DR.	担当 CHK.	査閲 APPD.	承認 APPD.



NOTE. 1. COMPANY LOGO "JAE" & "D02-M15SA" AS INDICATED. 注1. 図示の位置に「社標」及び「品名」を表示する。
但し、品名は略称とし「D02-M15SA」までとする。
2. CONTACT FINISH
CONTACT AREA : GOLD OVER NICKEL
(Au:0.1μm MIN.)
2. 嵌合部はニッケル上金メッキ(Au:0.1μm以上)、
スルーホール部は錫又は錫合金(無鉛)である。
3. SCREW LOCKS ARE TO BE NONREMOVAL. 3. 嵌合固定ネジは完全に締め付けてある。
ネジ部には回り止めの為ロックタイトが塗布してある。
4. This connector is based on MIL-C-24308 Spec. 4. 当コネクタは、MIL-C-24308規格に準拠する。



MATING LOCATION



P.W.B. HOLE PATTERNS

符号 NO.	名称 DESCRIPTION	個数 QTY.	材料 MATERIAL	仕上 FINISH	備考 REMARKS
10	EARTH LUG	2	COPPER ALLOY	(LEAD FREE)TIN/TIN ALLOY	
9	SCREW LOCK	2	STEEL	(LEAD FREE)TIN/TIN ALLOY	M2.6
8	SOCKET CONTACT #1	5	PHOSPHOR BRONZE	NOTE. 2	
7	SOCKET CONTACT #2	5	PHOSPHOR BRONZE	NOTE. 2	
6	SOCKET CONTACT #3	5	PHOSPHOR BRONZE	NOTE. 2	
5	HEXAGON NUT	2	STEEL	NICKEL PLATING	M2.6
4	SHELL	1	STEEL	(LEAD FREE)TIN/TIN ALLOY	
3	HOOK LUG	2	PHOSPHOR BRONZE	(LEAD FREE)TIN/TIN ALLOY	
2	INSULATOR	1	GLASS FILLED PBT		UL94V-0
1	LOCATION PLATE	1	GLASS FILLED PBT		UL94V-0

仕様書(SPECIFICATION)	第1版(ORIGINAL DATE) 3.Mar.2003	尺(SCALE) 2:1	シリーズ(SERIES) D02	備考 日本航空電子工業株式会社
公差(GENERAL TOLERANCE)	製図 DR. E.MURANO	名称(TITLE) D02-M15SAG -13L9E		
寸法(DIMENSION)	担当 CHK. Y.TAKAGI	JAE CONNECTOR.COM Reference Only		
角度(ANGLES)	査閲 APPD.	JAE ELECTRONICS INDUSTRY, LTD.		
. ±	承認 APPD. <i>J. Takagi</i>	図面番号(DRAWING NO.) SJ038384		
.X ±		重量(WEIGHT)		
.XX ±0.1		版数 (REV.) 1		
.XXX ±				

JAE Connector Div. Proprietary.
Copyright © 2003, Japan Aviation Electronics Industry, Ltd.

(20) 96 D212-0-F00

0 10 20 30 40 50 60 70 80 90 100

LEAD FREE この製品は鉛フリー品です

本図面は日本航空電子工業(株)の所有する情報を含むもので当社の許可なく複製を禁止する。
THIS DRAWING CONTAINS INFORMATION THAT IS PROPRIETARY TO JAE AND CAN NOT BE REPRODUCED WITHOUT WRITTEN CONSENT OF JAE.

CDS-03-199-50805 SIZE A3