



Chipsmall Limited consists of a professional team with an average of over 10 year of expertise in the distribution of electronic components. Based in Hongkong, we have already established firm and mutual-benefit business relationships with customers from,Europe,America and south Asia,supplying obsolete and hard-to-find components to meet their specific needs.

With the principle of "Quality Parts,Customers Priority,Honest Operation,and Considerate Service",our business mainly focus on the distribution of electronic components. Line cards we deal with include Microchip,ALPS,ROHM,Xilinx,Pulse,ON,Everlight and Freescale. Main products comprise IC,Modules,Potentiometer,IC Socket,Relay,Connector.Our parts cover such applications as commercial,industrial, and automotives areas.

We are looking forward to setting up business relationship with you and hope to provide you with the best service and solution. Let us make a better world for our industry!



Contact us

Tel: +86-755-8981 8866 Fax: +86-755-8427 6832

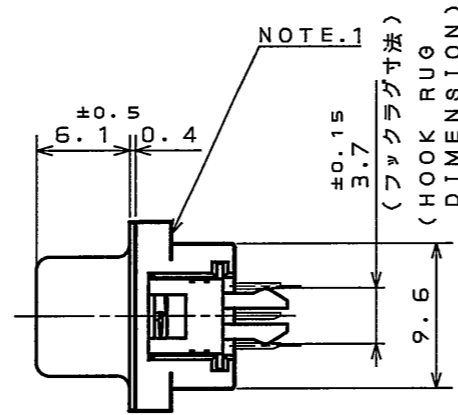
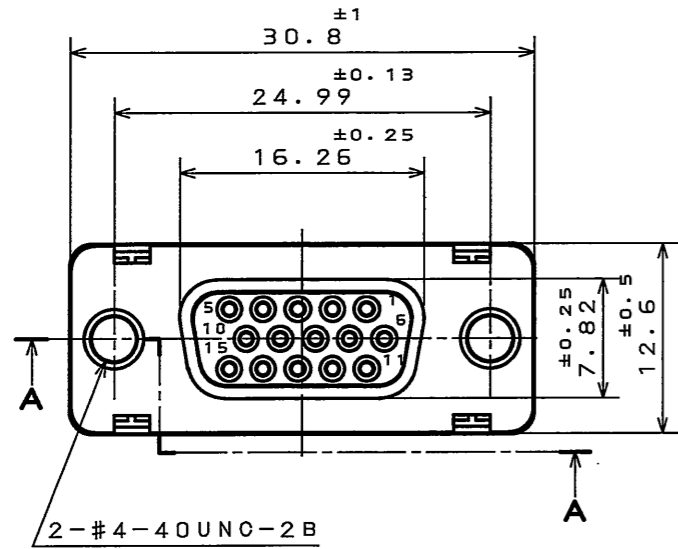
Email & Skype: info@chipsmall.com Web: www.chipsmall.com

Address: A1208, Overseas Decoration Building, #122 Zhenhua RD., Futian, Shenzhen, China



86E8E0RS
(ON ΘIMVRO)台要里図

版数 REV.	年月日 DATE	DCN NO.	変更内容 DESCRIPTION	製図 DR.	担当 CHK.	査閲 APPD.	承認 APPD.
2	1.Aug.2006	060335	CHANGE NOTE AND ETC.		T.NOMIYAMA	R. Sago	J. Kubota



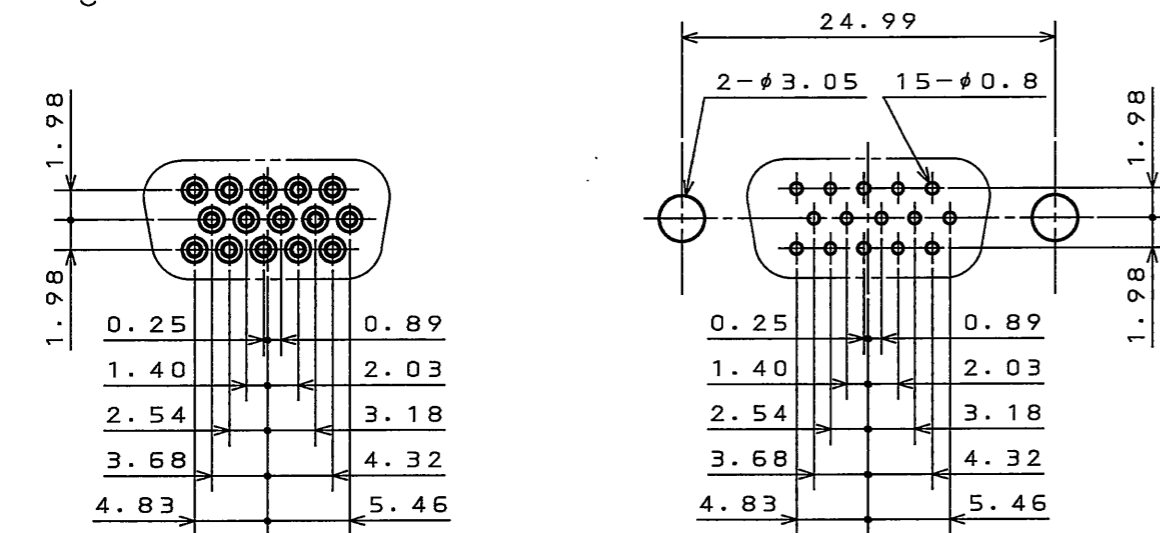
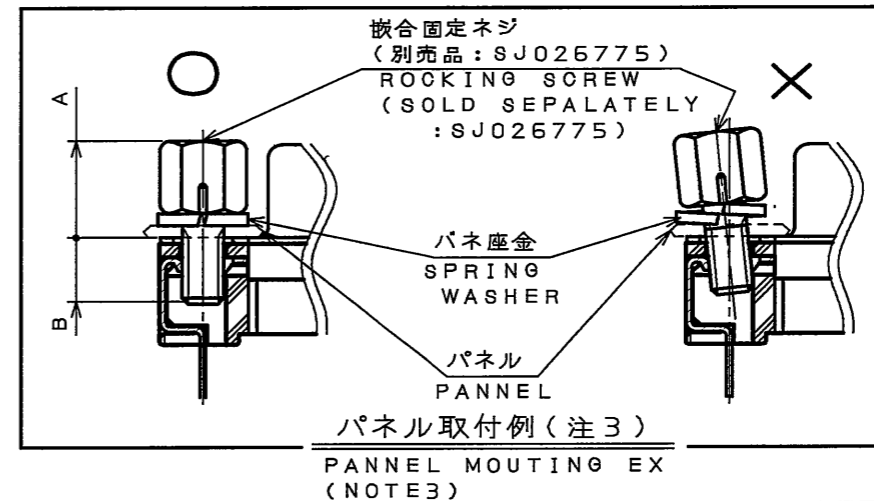
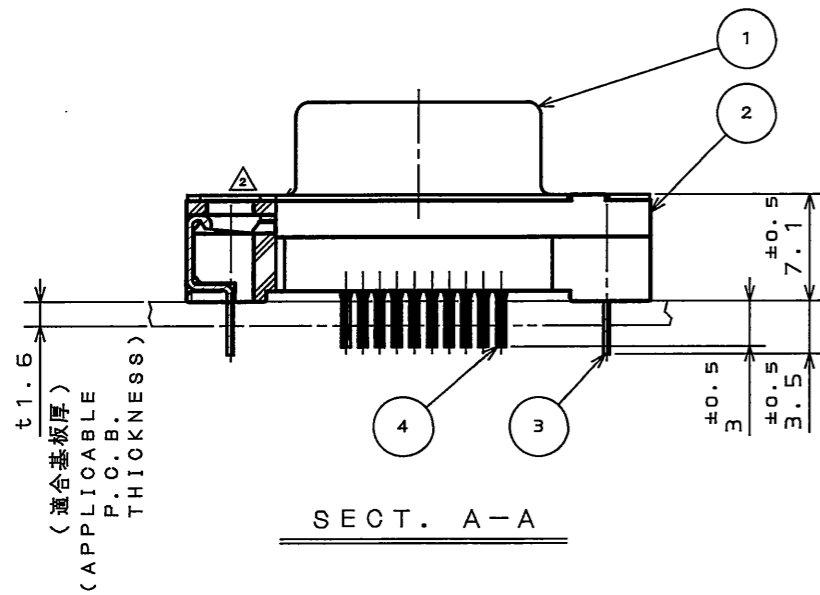
- 注 1. 図示の位置に「JAE」及び「D02-M15ST」を表示する。
 2. 嵌合部はニッケル上金メッキ (Au:0.1µm以上) スルーホール部は錫又は錫合金 (無鉛) である。
 △ 3. 嵌合固定ネジ (別売品) の締め付けトルクは、24.5~29.4 N・cmとする。図示 A, B の両方の寸法 (表 1 参照) を満足するように嵌合固定ネジの選定、パネルへの取付を行って下さい。なお、パネルへの取付にパネ座金を使用する場合には嵌合固定ネジの仮締め時の姿勢に気をつけて下さい。

NOTE 1. COMPANY LOGO "JAE" & "D02-M15ST" AS INDICATED.

2. CONTACT FINISH
 CONTACT AREA : GOLD OVER NICKEL (Au:0.1µm MIN)
 TERMINAL AREA : (LEAD FREE) TIN/TIN ALLOY
 3. THE TIGHTENING TORQUE OF SCREW LOCKS IS ASSUMED TO BE 24.5~29.4 N・cm. CHOICE MOUNTING SCREW AND MOUNT ON PANNEL AS TO BE SATISFID WITH BOTH DIMENTION A AND B. THEN, IF USE A SPRING WASHER, TAKE CARE OF POSITION OF MOUNTING SCREW AT TENTATIVELY FIXED.

△ TABLE 1

	MAX	MIN
A	6.6	6.1
B	5.7	3.6



嵌合面ロケーション寸法
MATING LOCATION

基板取付穴寸法
P.C.B. HOLE PATTERNS

4	SOCKET CONTACT	15	PHOSPHOR BRONZE	NOTE. 2	
3	HOOK LUG	2	PHOSPHOR BRONZE	(LEAD FREE)TIN/TIN ALLOY	
2	INSULATOR	1	GLASS FILLED PBT		UL94V-0
1	SHELL	1	STEEL	NICKEL PLATING	
符号 NO.	名称 DESCRIPTION	個数 QTY.	材 料 MATERIAL	仕 上 FINISH	備 考 REMARKS

仕様書 (SPECIFICATION) JACS-3050-4 △	第1版 (ORIGINAL DATE) 3.Mar.2003	尺度 (SCALE) 2:1	シリーズ (SERIES) D02	日本航空電子工業株式会社 JAPAN AVIATION ELECTRONICS INDUSTRY, LTD. 図面番号 (DRAWING NO.) SJ038398	版数 (REV.) 2
公差 (GENERAL TOLERANCE)	製図 DR. E.MURANO	名称 (TITLE) D02-M15STF -21L9E			
寸法 (DIMENSION) 角度 (ANGLES)	担当 CHK. Y.TAKAGI				
. ±0.8 X° ± .X ±0.4 X°X' ± .XX ±0.1 .XXX ±	査閲 APPD. 承認 APPD. Y.KUBOTA				