



Chipsmall Limited consists of a professional team with an average of over 10 year of expertise in the distribution of electronic components. Based in Hongkong, we have already established firm and mutual-benefit business relationships with customers from,Europe,America and south Asia,supplying obsolete and hard-to-find components to meet their specific needs.

With the principle of "Quality Parts,Customers Priority,Honest Operation,and Considerate Service",our business mainly focus on the distribution of electronic components. Line cards we deal with include Microchip,ALPS,ROHM,Xilinx,Pulse,ON,Everlight and Freescale. Main products comprise IC,Modules,Potentiometer,IC Socket,Relay,Connector.Our parts cover such applications as commercial,industrial, and automotives areas.

We are looking forward to setting up business relationship with you and hope to provide you with the best service and solution. Let us make a better world for our industry!



## Contact us

Tel: +86-755-8981 8866 Fax: +86-755-8427 6832

Email & Skype: info@chipsmall.com Web: www.chipsmall.com

Address: A1208, Overseas Decoration Building, #122 Zhenhua RD., Futian, Shenzhen, China

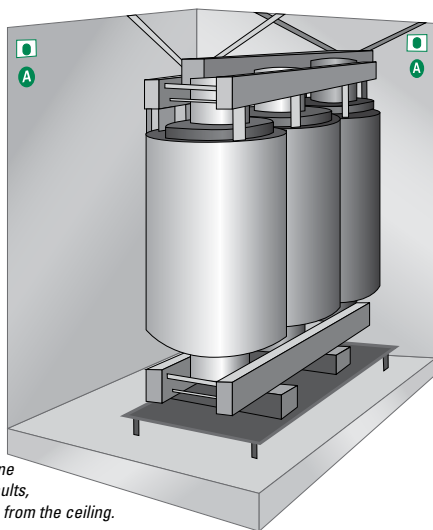


# D0100 SERIES & D0900 SERIES

## Arc-Flash Relay



### Installation Diagram



Place sensors in direct line of sight to possible arc faults, preferably pointing down from the ceiling.

### Ordering Information

ORDERING NUMBER	CONTROL POWER
D0100.0010	48-220 Vdc
D0100.0020	24 Vdc
D0900.0010	220-250 Vac

ACCESSORIES	REQUIREMENT
A0033.0010 Detector cable 2 x 0.25 mm w/screen. 100 m	Optional
A0200.0010 Light Sensor 180°, 5 m cable	Required: At least 1 sensor per cubicle or drawer
A0200.0020 Light Sensor 180°, 10 m cable	
A0200.0030 Light Sensor 180°, 15 m cable	
A0300.0010 Light Sensor 360°, 5 m cable	
A0300.0020 Light Sensor 360°, 10 m cable	
A0300.0030 Light Sensor 360°, 15 m cable	
D0400.0010 Junction Box. For 8 sensors, without indication	Optional
D0500.0010 Junction Box. For 8 sensors, with indication	Optional
D1100.0010 Diode Logic Unit	Optional

### Description

The D0100/D0900 Arc-Flash relays provide a simple and cost-effective solution for Arc-Flash monitoring. Two light sensors can be connected directly to one relay, or optional junction boxes allow up to 16 sensors per relay.

**Light Sensors** react to light and are available with 180° or 360° detection area. Sensors are supplied with 5, 10 or 15 m of cable and a mounting bracket. 1-2 sensors are recommended per cubicle or drawer.

### Features & Benefits

FEATURES	BENEFITS
<b>Compact module</b>	Fits into wide range of Arc-Flash applications
<b>Trip time &lt;1 ms</b>	Limits Arc-Flash damage and risk of injury
<b>Two optical sensor types</b>	Point sensors with 180° or 360° detection area depending on specific installation
<b>Dual sensor input</b>	Single Arc-Flash relay can monitor 2 sensors or junction boxes
<b>Sensor expansion option</b>	Junction box allows for up to 16 sensors per Arc-Flash relay (8 sensors/box)
<b>Adjustable light sensitivity</b>	Allows for operation in bright environments and maximum sensitivity in dark environments
<b>Service mode</b>	Allows for system test without tripping

### Accessories



#### A0200 (180°)/A0300 (360°) Light Sensors

Line-of-sight light sensor detects an arc as small as 3 kA within a 2-m half-sphere. Available in 180° or 360°, 5, 10, or 15 m cable.



**D0400/D0500 Junction Box** for parallel connection of more than 2 sensors for one relay. Designed to connect up to 8 sensors, and is available with and without indication. Max. 2 junction boxes can be connected to one Arc-Flash relay.

### Specifications

<b>Voltage Supply</b>	D0100.0010: 48-220 Vdc D0100.0020: 24 Vdc D0900.0010: 220-250 Vac D0900.0020: 220-250 Vac D0900.0030: 110 Vac
<b>Thyristor Output Sensitivity</b>	250 Vac/Vdc, 8 A cont., 25 A. for 0.1 s, min. load 50 mA
<b>Number of Sensors</b>	Adjustable 2,000-24,000 lux Max. 16 pcs. with 2 junction boxes
<b>Response Time</b>	Less than 1 ms
<b>Power Consumption</b>	D0100: 4.3 W; D0900: 3.5 W
<b>Ambient Temperature</b>	-25°C to +70°C
<b>EMC</b>	EN50081-1/2 and EN50082-1/2
<b>Dimensions</b>	<b>H</b> 90 mm (3.5"); <b>W</b> 105 mm (4.1"); <b>D</b> 75 mm (3.0")