



Chipsmall Limited consists of a professional team with an average of over 10 year of expertise in the distribution of electronic components. Based in Hongkong, we have already established firm and mutual-benefit business relationships with customers from,Europe,America and south Asia,supplying obsolete and hard-to-find components to meet their specific needs.

With the principle of "Quality Parts,Customers Priority,Honest Operation,and Considerate Service",our business mainly focus on the distribution of electronic components. Line cards we deal with include Microchip,ALPS,ROHM,Xilinx,Pulse,ON,Everlight and Freescale. Main products comprise IC,Modules,Potentiometer,IC Socket,Relay,Connector.Our parts cover such applications as commercial,industrial, and automotives areas.

We are looking forward to setting up business relationship with you and hope to provide you with the best service and solution. Let us make a better world for our industry!



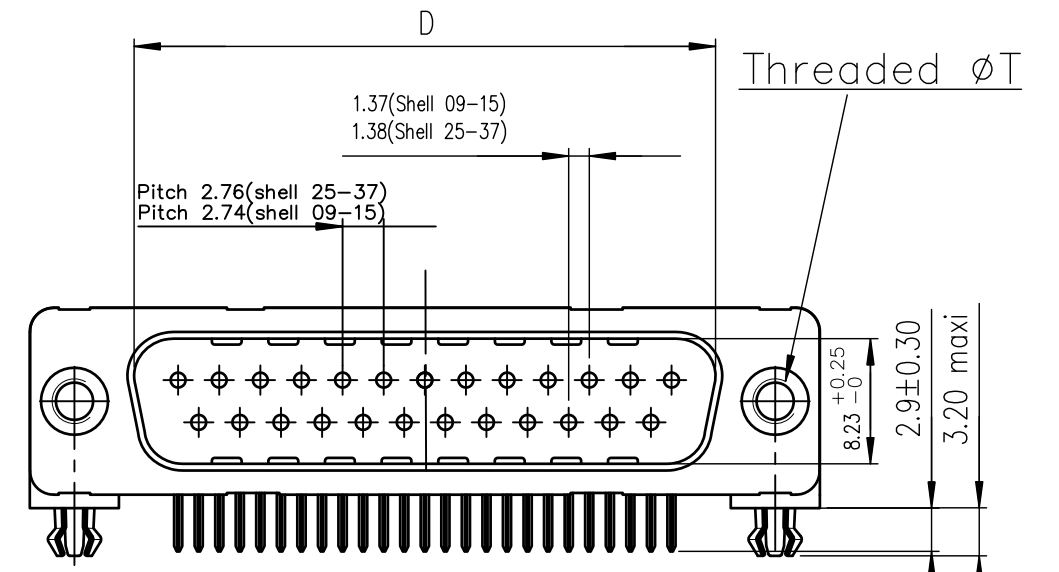
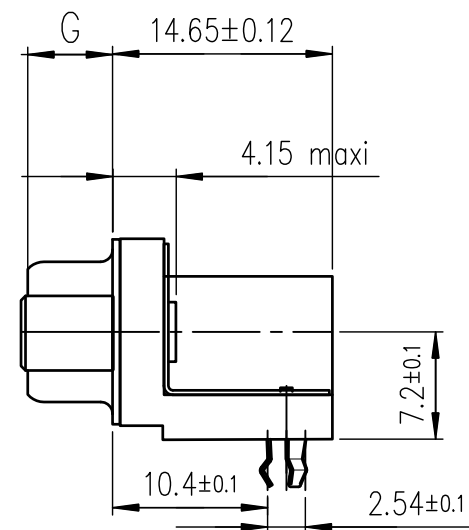
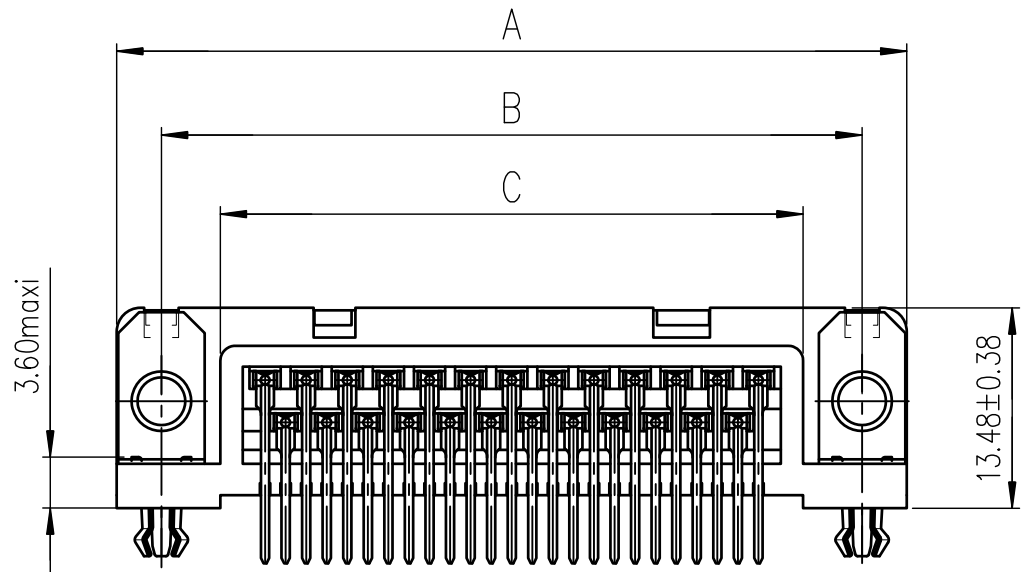
## Contact us

Tel: +86-755-8981 8866 Fax: +86-755-8427 6832

Email & Skype: info@chipsmall.com Web: www.chipsmall.com

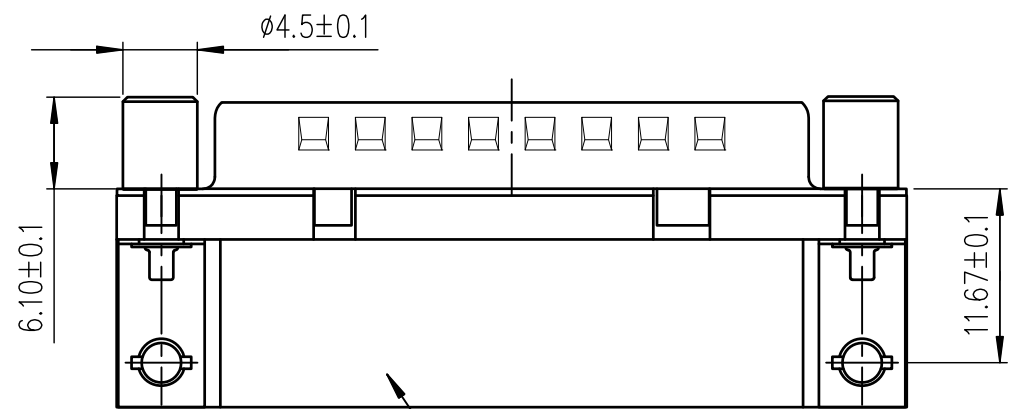
Address: A1208, Overseas Decoration Building, #122 Zhenhua RD., Futian, Shenzhen, China





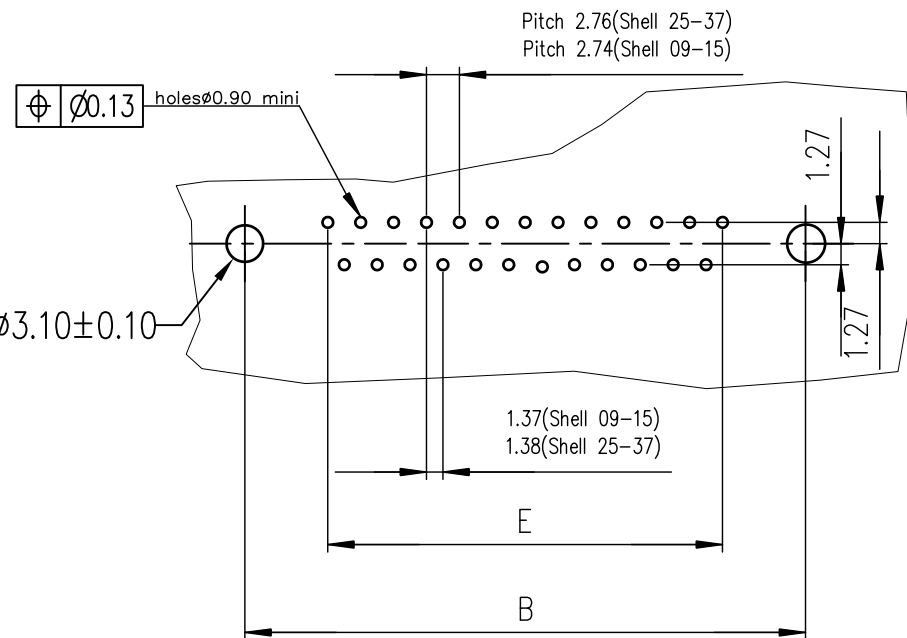
SHELL	A±0.38	B±0.12	C±0.10	D±0.25	E±0.07	G±0.25
09	30.81	24.99	16.96	16.79	10.96	5.90
15	39.14	33.32	25.18	25.12	19.18	5.90
25	53.03	47.04	39.12	38.84	33.12	5.70
37	69.32	63.50	55.68	55.30	49.68	5.70

GENERAL CHARACTERISTICS : SEE DWG.NO: C01-8646-0000



Part Number & Date Code Printing

PC card drilling dimensions(after plating)  
(thickness 1.60±0.20mm)



4 = Performance level PL3 ≥ 200 OPERATIONS  
6 = Performance level PL1 ≥ 500 OPERATIONS

LF FOR LEAD FREE

SHELL	PART NUMBER	DESIGNATIONS
09	D09P13A*G*00**	HEADER 9 CTS RIGHT ANGLED-SOLDER TO BOARD-PCB HARPOON-SCREWLOCK -ELEC.CONTIN.
15	D15P13A*G*00**	HEADER 15 CTS RIGHT ANGLED-SOLDER TO BOARD-PCB HARPOON-SCREWLOCK -ELEC.CONTIN.
25	D25P13A*G*00**	HEADER 25 CTS RIGHT ANGLED-SOLDER TO BOARD-PCB HARPOON-SCREWLOCK -ELEC.CONTIN.
37	D37P13A*G*00**	HEADER 37 CTS RIGHT ANGLED-SOLDER TO BOARD-PCB HARPOON-SCREWLOCK -ELEC.CONTIN.

I = SCREWLOCK Threaded M3  
V = SCREWLOCK Threaded UNC 4.40 sellers

mat'l. code				surface		tolerance		projection		product family		
SEE NOTES				ISO 1302	ISO 406	ISO 1101	MM		DELTA-D			
ltr	ecn no	dr	date	tolerances unless otherwise specified				title				
D	I05-0124	JS	2005/07/27	angles	linear	0.X± 0.1		MALE DELTA-D RIGHT ANGLED				
E	I06-0074	SK	2006/06/08			0.XX± 0.1		WITH SCREW LOCK, HARPOON & METAL BRACKET				
F	I09-0023	AS	2009/02/11	X±1°			0.XXX± 0.1		scale 1:1			
G	ELXI-I-15060	AB	2013/06/25	dr	GEORGE.V.J	2006/10/17	FCJ		dwg no		sheet 1 of 1	size 5
-	-	-	-	engr	ALIAS.BABU	2013/06/25			C01-8646-0742		A3	
-	-	-	-	chr	MITHUN.PAUL	2013/06/25			type		CUSTOMER Drawing	
-	-	-	-	appd	BIJU.K.PAUL	2013/06/25						
sheet index	revision sheet	G	1	-	-	-	-	-	-	-	-	-