



Chipsmall Limited consists of a professional team with an average of over 10 year of expertise in the distribution of electronic components. Based in Hongkong, we have already established firm and mutual-benefit business relationships with customers from,Europe,America and south Asia,supplying obsolete and hard-to-find components to meet their specific needs.

With the principle of “Quality Parts,Customers Priority,Honest Operation,and Considerate Service”,our business mainly focus on the distribution of electronic components. Line cards we deal with include Microchip,ALPS,ROHM,Xilinx,Pulse,ON,Everlight and Freescale. Main products comprise IC,Modules,Potentiometer,IC Socket,Relay,Connector.Our parts cover such applications as commercial,industrial, and automotives areas.

We are looking forward to setting up business relationship with you and hope to provide you with the best service and solution. Let us make a better world for our industry!



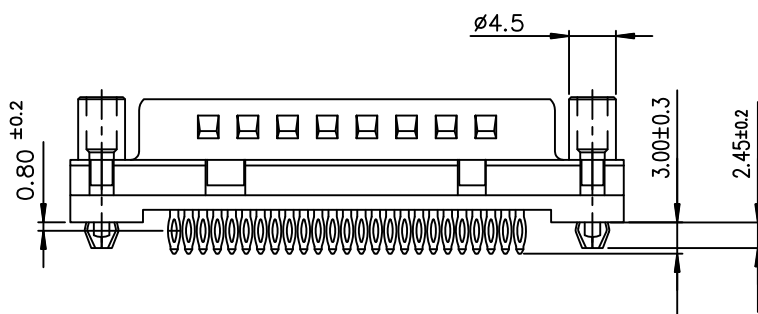
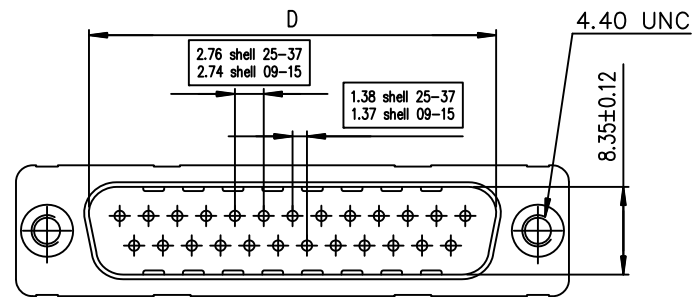
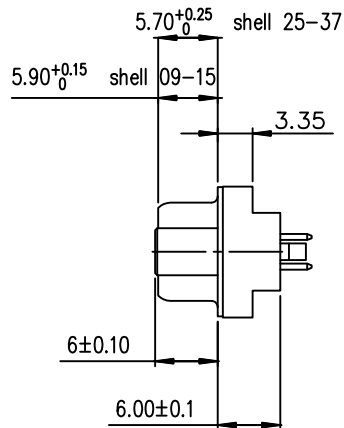
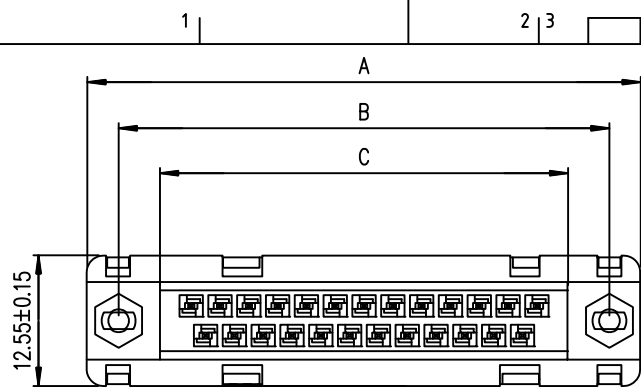
Contact us

Tel: +86-755-8981 8866 Fax: +86-755-8427 6832

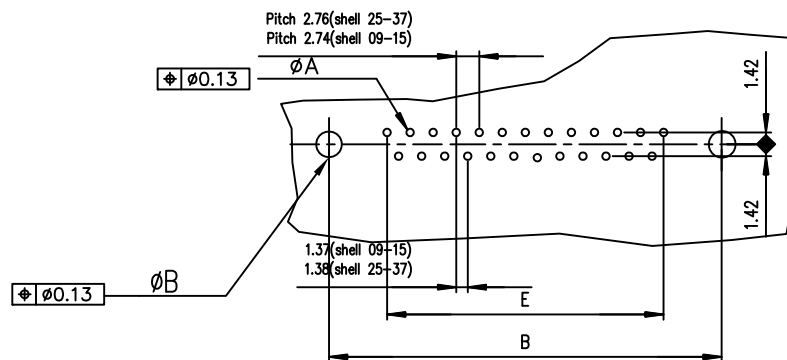
Email & Skype: info@chipsmall.com Web: www.chipsmall.com

Address: A1208, Overseas Decoration Building, #122 Zhenhua RD., Futian, Shenzhen, China





PC board drilling dimensions(after plating)
(thickness ≤ 3.20±0.30mm)



ROHS PART NUMBER

SHELL	A±0.38	B±0.12	C±0.10	D±0.25	E±0.07	PART NUMBER	PART NUMBER
09	30.81	24.99	16.96	16.79	10.96	D09P91C4GV00LF	D09P91C6GV00LF
15	39.14	33.32	25.18	25.12	19.18	D15P91C4GV00LF	D15P91C6GV00LF
25	53.03	47.04	39.12	38.84	33.12	D25P91C4GV00LF	D25P91C6GV00LF
37	69.32	63.50	55.68	55.30	49.68	D37P91C4GV00LF	D37P91C6GV00LF
						200 Matings	500 Matings

GENERAL CHARACTERISTICS AND ROHS INFORMATIONS:

SEE DRAWING C01-8646-0001

mat'l. code				surface ISO 1302 ✓		tolerance ISO 406 ISO 1101		projection		product family D-SUB	
ltr	ecn no	dr	date	tolerances unless otherwise specified				mm		title	
B	-	PES	1996/07/24	angles	linear	.0±0.1		mm		MALE DELTA D CONNECTOR EUROPE	
C	LS05-004	MPE	2005-02-10			.00±0.1		scale 2:1		STRAIGHT PRESS FIT	
D	LS06-0097	LGO	2006-07-29	0'±2'		.000±0.1				dwg no sheet 1 of 1 size	
E	LS06-0186	LGO	2006-07-29	dr		PESSON		1995-08-25		C01-8646-0360 A3	
F	111-0062	RPK	2011-04-05	eng		MITHUN PAUL		2016-06-06		Amphenol FCI	
G	ELX-I-24020	AAB	2016-06-06	chr		ATHUL A.B		2016-06-06		type Product Customer Drawing	
				appd		BIJU K PAUL		2016-06-06			
sheet index	revision	G									
	sheet	1									