



Chipsmall Limited consists of a professional team with an average of over 10 year of expertise in the distribution of electronic components. Based in Hongkong, we have already established firm and mutual-benefit business relationships with customers from,Europe,America and south Asia,supplying obsolete and hard-to-find components to meet their specific needs.

With the principle of “Quality Parts,Customers Priority,Honest Operation,and Considerate Service”,our business mainly focus on the distribution of electronic components. Line cards we deal with include Microchip,ALPS,ROHM,Xilinx,Pulse,ON,Everlight and Freescale. Main products comprise IC,Modules,Potentiometer,IC Socket,Relay,Connector.Our parts cover such applications as commercial,industrial, and automotives areas.

We are looking forward to setting up business relationship with you and hope to provide you with the best service and solution. Let us make a better world for our industry!



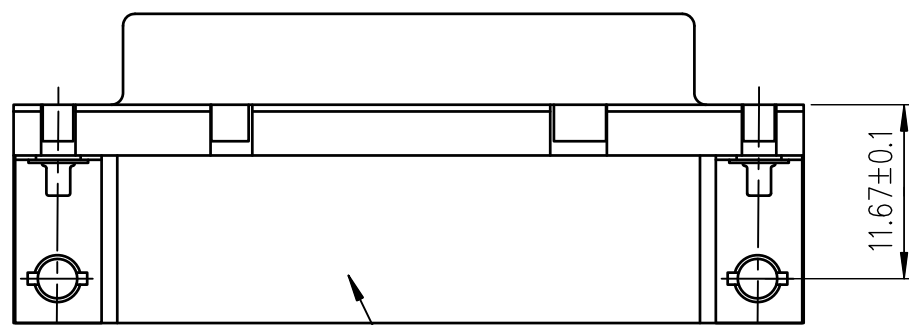
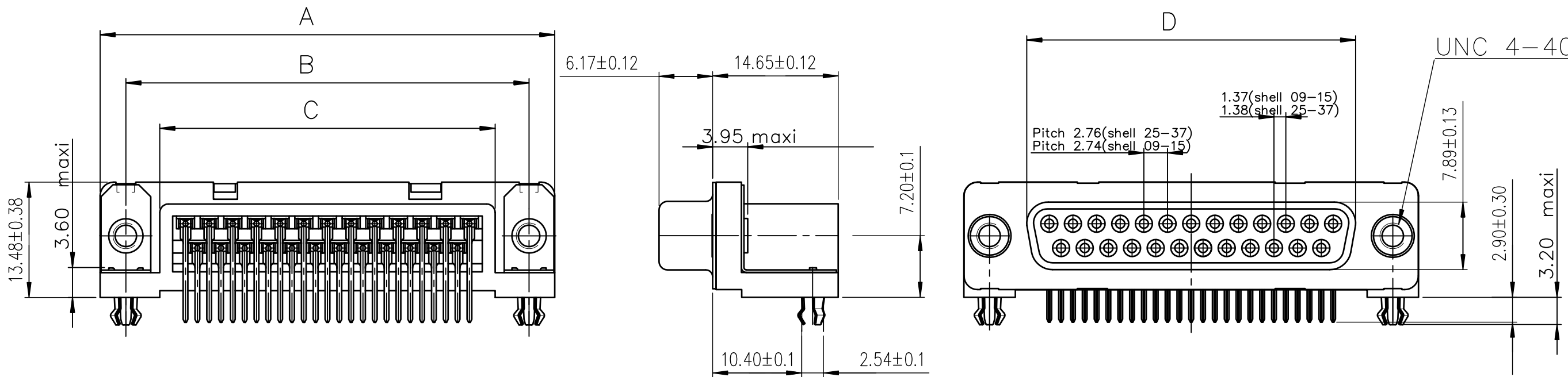
Contact us

Tel: +86-755-8981 8866 Fax: +86-755-8427 6832

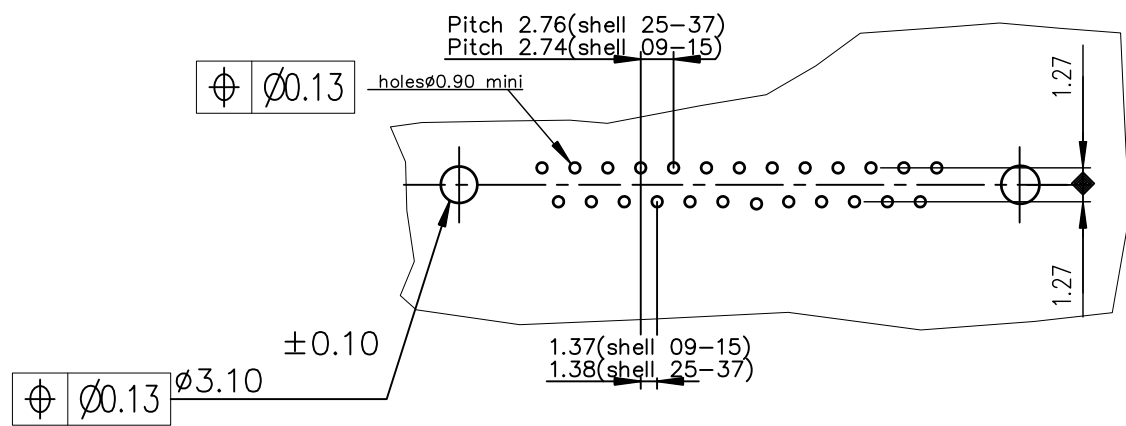
Email & Skype: info@chipsmall.com Web: www.chipsmall.com

Address: A1208, Overseas Decoration Building, #122 Zhenhua RD., Futian, Shenzhen, China





Part Number & Date Code Printing
 PC card drilling dimensions(after plating)
 (thickness 1.60±0.20mm)



Pull Parts							
SHELL	A±0.38	B±0.12	C±0.10	D±0.25	PART NUMBER	LEAD FREE P/N	
09	30.81	24.99	16.96	16.21	D09S13A*GX00	D09S13A*GX00LF	
15	39.14	33.32	25.18	24.54	D15S13A*GX00	D15S13A*GX00LF	
25	53.03	47.04	39.12	38.25	D25S13A*GX00	D25S13A*GX00LF	
37	69.32	63.50	55.68	54.71	D37S13A*GX00	D37S13A*GX00LF	

4-200 MATING CYCLES
 6-500 MATING CYCLES

GENERAL CHARACTERISTICS : SEE DRAWING C01-8646-0000

mat'l. code SEE.NOTES				surface ISO 1302 ✓		tolerance ISO 406 ISO 1101		projection MM		product family D-SUB			
ltr	ecn no	dr	date	tolerances unless otherwise specified						title			
K	ELX-I-18948	AB	2014/09/29	angles	linear	O.X ±0.1	O.XX ±0.1	scale 1:1		SOCKET CONNECT.DELTA D RIGHT ANGLE WITH NUT,HARPON and metal plate.			
				0.XX±2°		O.XXX±0.1		FCI		dwg no		sheet 1 of 1	size 5
				dr	JOHN.SLEEBA	1994/10/14			C01-8646-0294		A3		
				enr	ALIAS.BABU	2014/09/29			CUSTOMER Drawing				
				chr	MITHUN.PAUL	2014/09/29							
				appd	BIJU.K.PAUL	2014/09/29							
sheet index	revision	K											
	sheet	1											