



Chipsmall Limited consists of a professional team with an average of over 10 year of expertise in the distribution of electronic components. Based in Hongkong, we have already established firm and mutual-benefit business relationships with customers from,Europe,America and south Asia,supplying obsolete and hard-to-find components to meet their specific needs.

With the principle of “Quality Parts,Customers Priority,Honest Operation,and Considerate Service”,our business mainly focus on the distribution of electronic components. Line cards we deal with include Microchip,ALPS,ROHM,Xilinx,Pulse,ON,Everlight and Freescale. Main products comprise IC,Modules,Potentiometer,IC Socket,Relay,Connector.Our parts cover such applications as commercial,industrial, and automotives areas.

We are looking forward to setting up business relationship with you and hope to provide you with the best service and solution. Let us make a better world for our industry!



Contact us

Tel: +86-755-8981 8866 Fax: +86-755-8427 6832

Email & Skype: info@chipsmall.com Web: www.chipsmall.com

Address: A1208, Overseas Decoration Building, #122 Zhenhua RD., Futian, Shenzhen, China



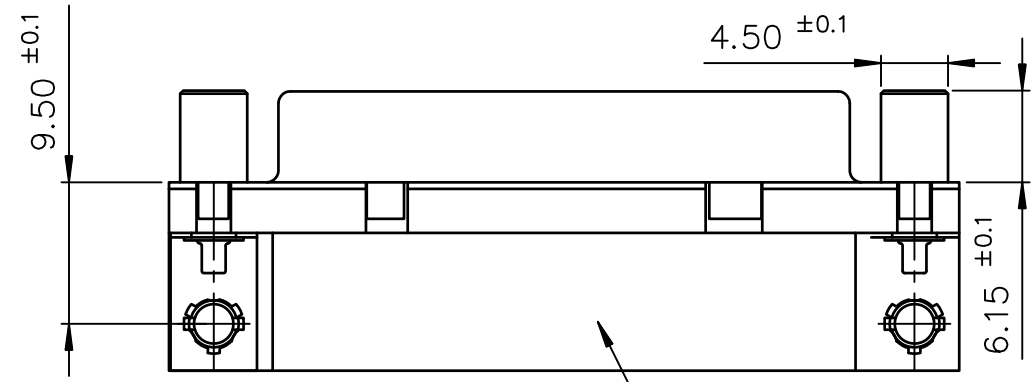
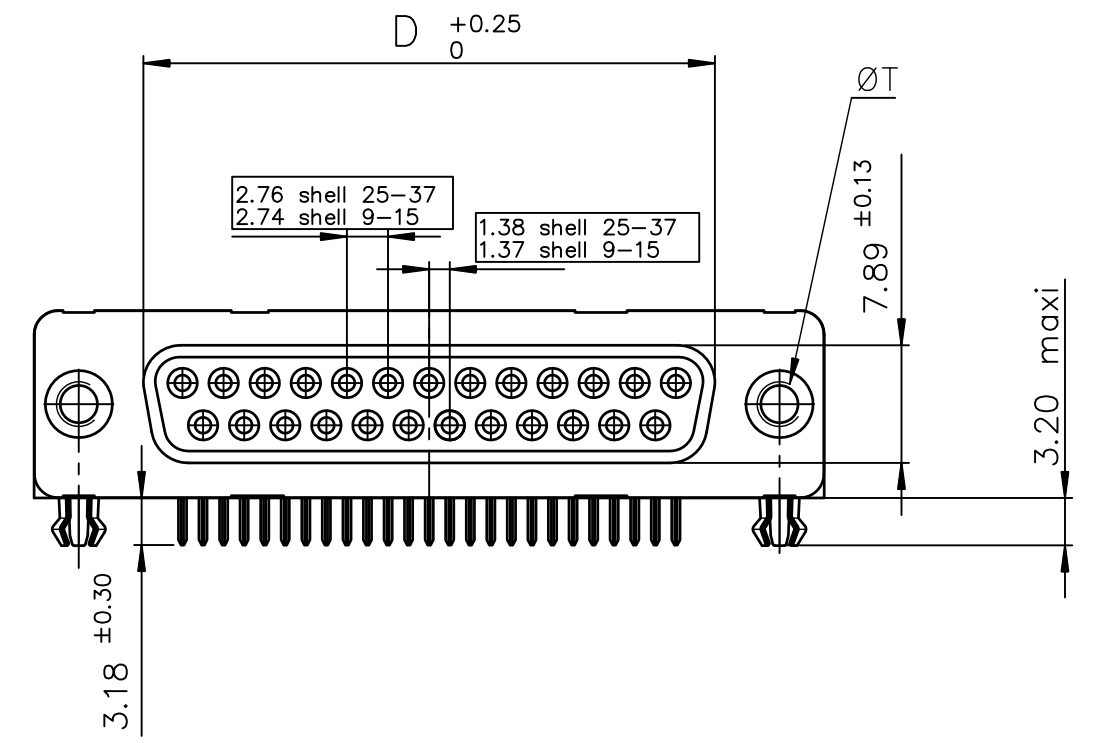
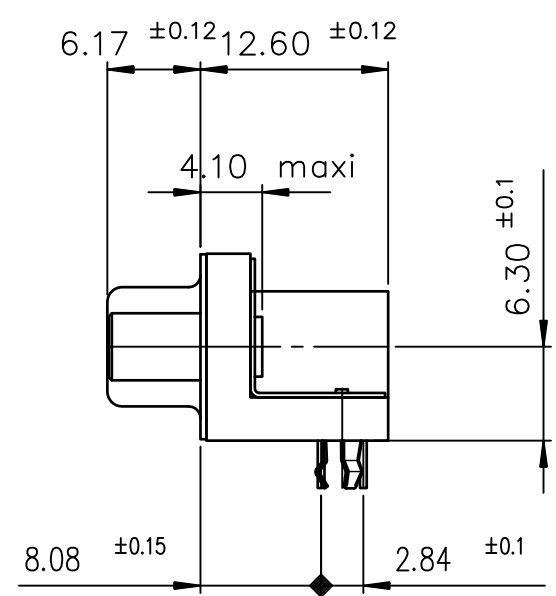
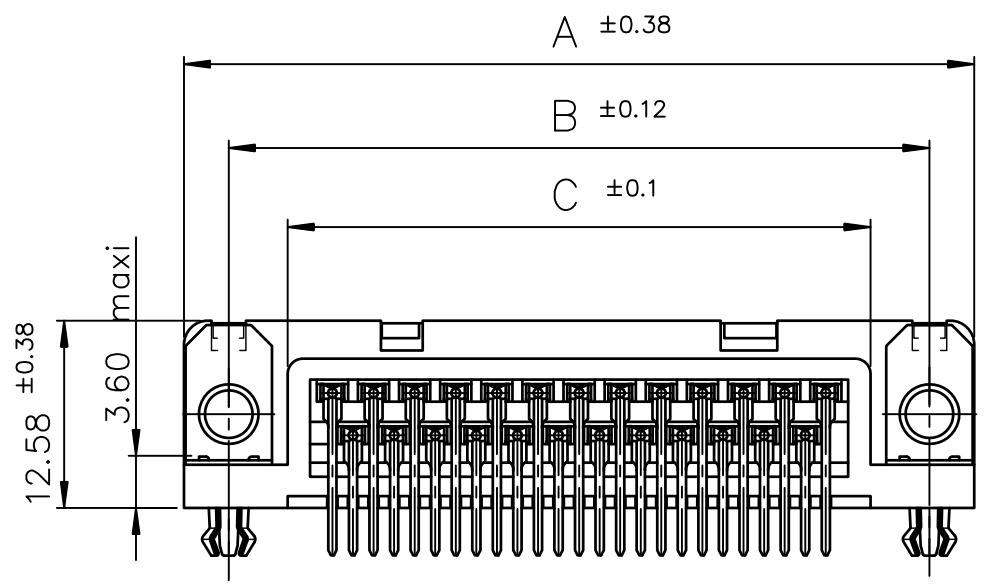


FCIconnect.com

Copyright FCI

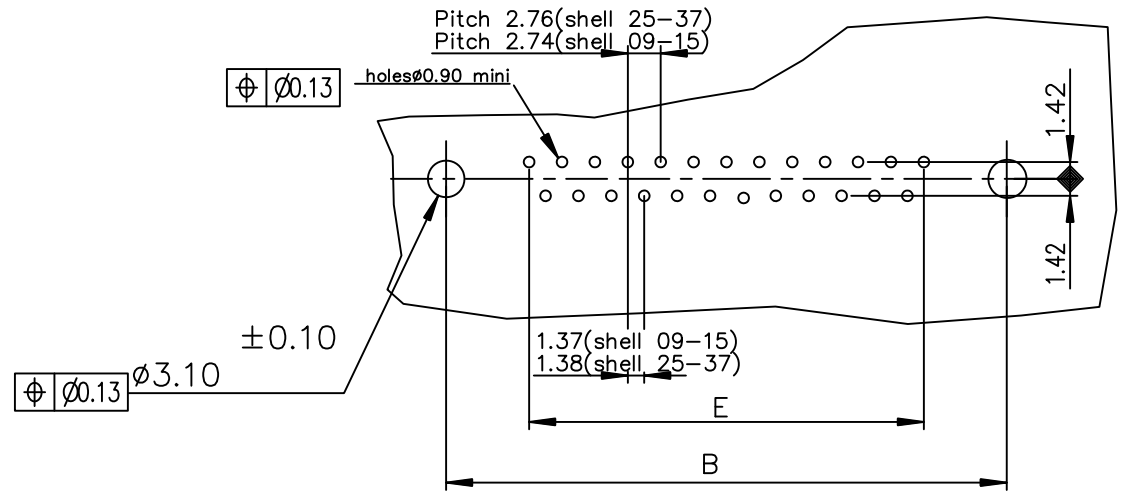
D

1 2 3 4 5 6



Part Number & Date Code Printing

PC card drilling dimensions(after plating)
(thickness $1.60 \pm 0.20 \text{mm}$)



TIN LEAD PART NUMBER									
SHELL	A±0.38	B±0.12	C±0.10	D±0.25	E±0.07	Gold flash		0.76 μ gold	
09	30.81	24.99	16.96	16.21	10.96	D09S33E4GV00	D09S33E4GI00	D09S33E6GV00	D09S33E6GI00
15	39.14	33.32	25.18	24.54	19.18	D15S33E4GV00	D15S33E4GI00	D15S33E6GV00	D15S33E6GI00
25	53.03	47.04	39.12	38.25	33.12	D25S33E4GV00	D25S33E4GI00	D25S33E6GV00	D25S33E6GI00
37	69.32	63.50	55.68	54.71	49.68	D37S33E4GV00	D37S33E4GI00	D37S33E6GV00	D37S33E6GI00

Threaded ϕT M3 = I
Threaded ϕT 4.40 = V

Threaded ϕT M3 = I
Threaded ϕT 4.40 = V

LEAD FREE PART NUMBER									
SHELL	A±0.38	B±0.12	C±0.10	D±0.25	E±0.07	Gold flash		0.76 μ gold	
09	30.81	24.99	16.96	16.21	10.96	D09S33E4GV00LF	D09S33E4GI00LF	D09S33E6GV00LF	D09S33E6GI00LF
15	39.14	33.32	25.18	24.54	19.18	D15S33E4GV00LF	D15S33E4GI00LF	D15S33E6GV00LF	D15S33E6GI00LF
25	53.03	47.04	39.12	38.25	33.12	D25S33E4GV00LF	D25S33E4GI00LF	D25S33E6GV00LF	D25S33E6GI00LF
37	69.32	63.50	55.68	54.71	49.68	D37S33E4GV00LF	D37S33E4GI00LF	D37S33E6GV00LF	D37S33E6GI00LF

Threaded ϕT M3 = I
Threaded ϕT 4.40 = V

Threaded ϕT M3 = I
Threaded ϕT 4.40 = V

GENERAL CHARACTERISTICS : SEE DRAWING C01-8646-0000

mat'l. code		surface ISO 1302		tolerance ISO 406 ISO 1101		projection		product family	
-		ISO 1302		ISO 406 ISO 1101		MM		D-SUB	
ltr	ecn no	dr	date	tolerances unless otherwise specified				title	
D	ELX-I-19243	AB	2014-10-29					SOCKET CONNECT. DELTA-D R/A	
				angles	linear			SCREW LOCK, HARPOON & METAL PLATE	
				$0^\circ \pm 2'$	$.00 \pm 0.1$			dwg no	
				$.00 \pm 0.1$	$.000 \pm 0.1$	scale 2:1		sheet 1 of 1 size	
				dr	JOHN SLEEBA	1993-04-07		A3	
				enr	ALIAS BABU	2014-10-29		C01-8646-0824	
				chr	MITHUN PAUL	2014-10-29		type Product Customer Drawing	
				app	BIJU K PAUL	2014-10-29			
sheet index	revision sheet	D	1						

form: A3

1

2

3

4

5

6

PDS: Rev :D

STATUS:Released

Printed: Oct 30, 2014