



Chipsmall Limited consists of a professional team with an average of over 10 year of expertise in the distribution of electronic components. Based in Hongkong, we have already established firm and mutual-benefit business relationships with customers from,Europe,America and south Asia,supplying obsolete and hard-to-find components to meet their specific needs.

With the principle of "Quality Parts,Customers Priority,Honest Operation,and Considerate Service",our business mainly focus on the distribution of electronic components. Line cards we deal with include Microchip,ALPS,ROHM,Xilinx,Pulse,ON,Everlight and Freescale. Main products comprise IC,Modules,Potentiometer,IC Socket,Relay,Connector.Our parts cover such applications as commercial,industrial, and automotives areas.

We are looking forward to setting up business relationship with you and hope to provide you with the best service and solution. Let us make a better world for our industry!



Contact us

Tel: +86-755-8981 8866 Fax: +86-755-8427 6832

Email & Skype: info@chipsmall.com Web: www.chipsmall.com

Address: A1208, Overseas Decoration Building, #122 Zhenhua RD., Futian, Shenzhen, China



1

2

3

4

A

A

B

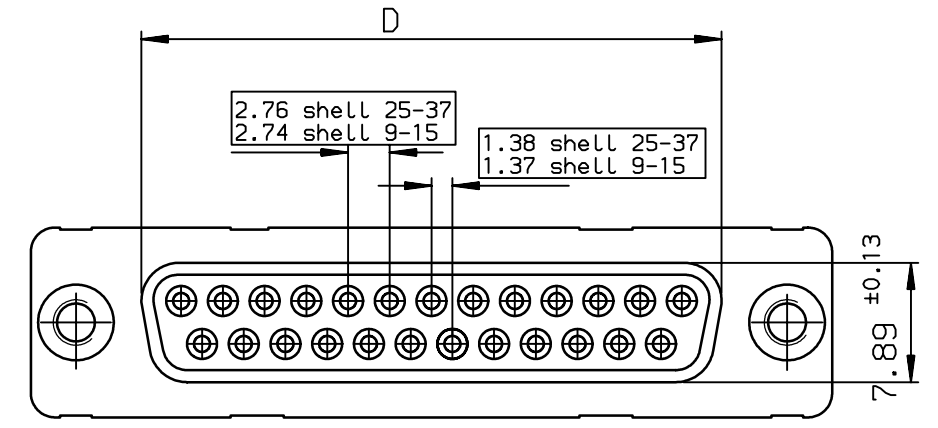
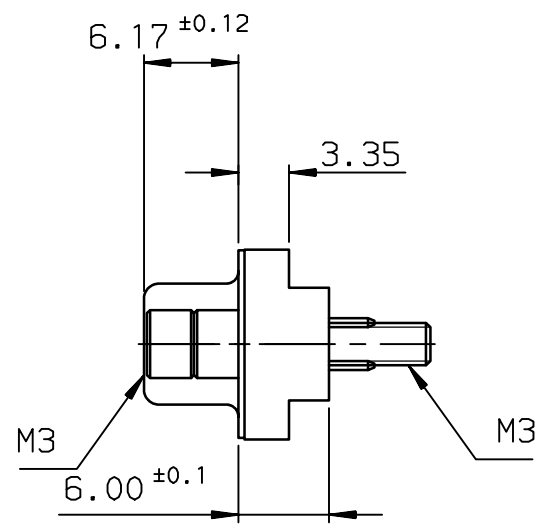
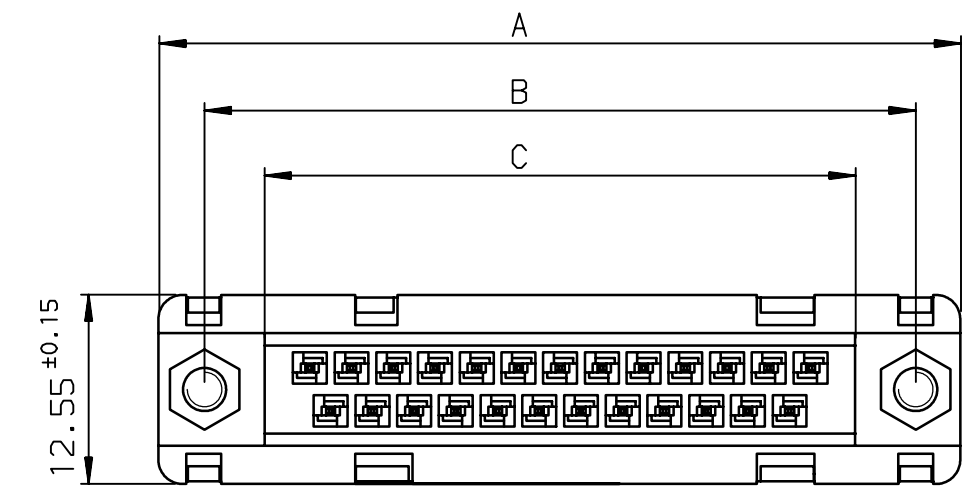
B

C

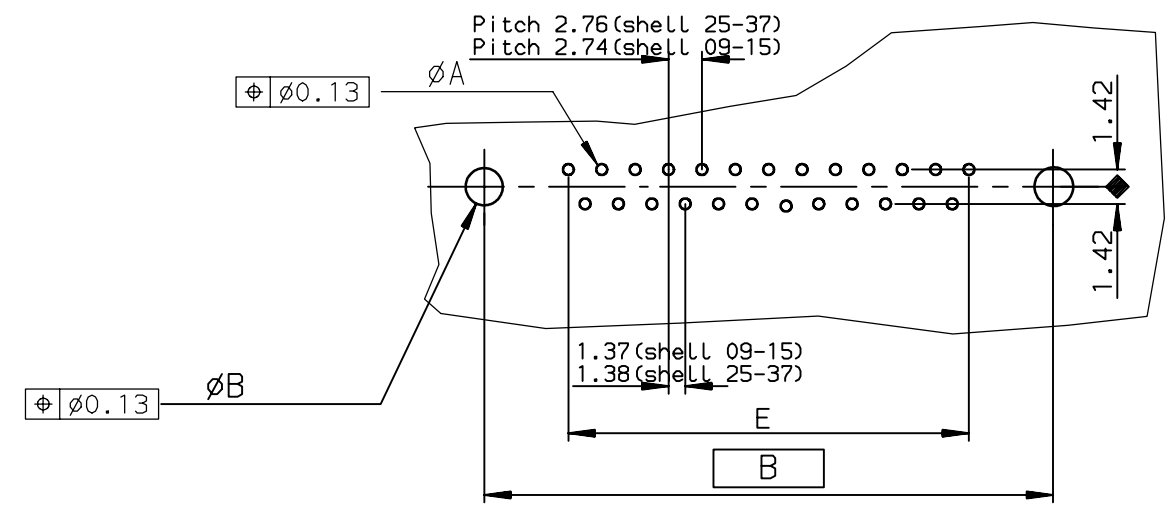
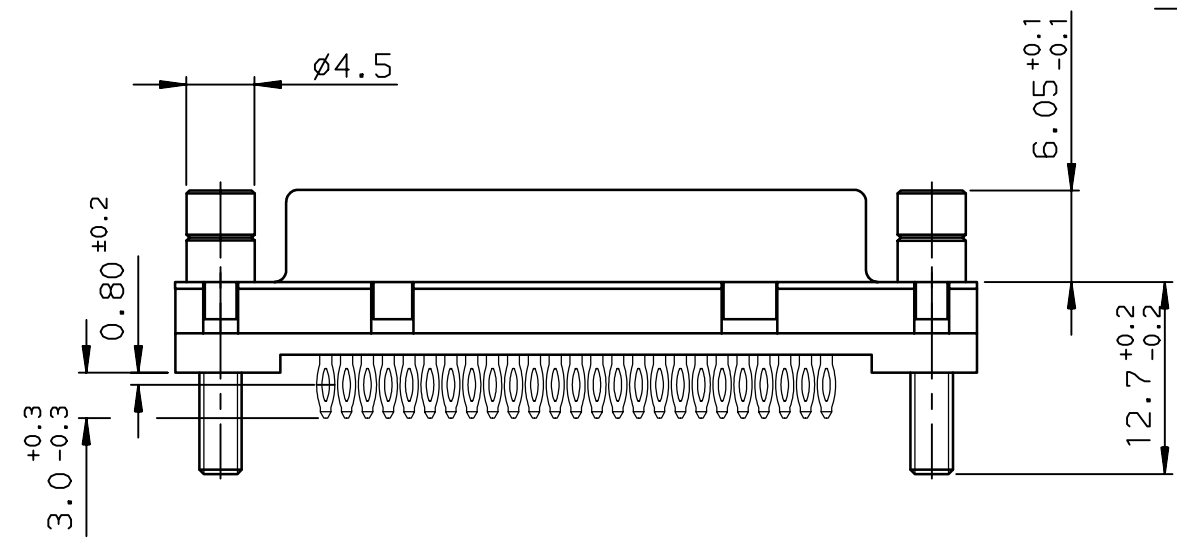
C

D

D



PC board drilling dimensions (after plating)
(thickness < 3.20 ± 0.30 mm)



TIN LEAD PART NUMBER

SHELL	A±0.38	B±0.12	C±0.10	D±0.25	E±0.07	PART NUMBER	PART NUMBER
09	30.81	24.99	16.96	16.21	10.96	--	D09S91C6PI9C
15	39.14	33.32	25.18	24.54	19.18	--	D15S91C6PI9C
25	53.03	47.04	39.12	38.25	33.12	--	D25S91C6PI9C
37	69.32	63.50	55.68	54.71	49.68	--	D37S91C6PI9C
						---	0.76µ gold

LEAD FREE PART NUMBER

SHELL	A±0.38	B±0.12	C±0.10	D±0.25	E±0.07	PART NUMBER	PART NUMBER
09	30.81	24.99	16.96	16.21	10.96	--	D09S91C6PI9CLF
15	39.14	33.32	25.18	24.54	19.18	--	D15S91C6PI9CLF
25	53.03	47.04	39.12	38.25	33.12	--	D25S91C6PI9CLF
37	69.32	63.50	55.68	54.71	49.68	--	D37S91C6PI9CLF
						---	0.76µ gold

GENERAL CHARACTERISTICS AND ROHS INFORMATIONS:
SEE DRAWING C01-8646-0001

European Views

www.fciconnect.com		surface ISO 1302 ✓	tolerance std ISO 406 ISO 1101	projection mm
TOLERANCES UNLESS OTHERWISE SPECIFIED				size A3
Dr	JOUBERT	1998/04/24	ANGULAR	Scale 2:1
Eng	PESSON	1998/04/24	LINEAR	ECN LS06-0140
Chr	LEGARE	1998/04/24	0.xx' ± 2°	Spec ref -
Appr	LEGARE	1998/04/24	Product family	D-SUB
FCi		title FEMALE CONNECTOR DELTA D STD EUROPE STR PF		dwg no C01-8646-0617
		catalog no		Rev. E

rev	ecn no	dr	date
B	-	ATC	1999/03/05
C	LS05-004	MPE	2005/02/11
D	LS06-0089	LGO	2006/06/15
E	LS06-0140	LGO	2006/09/16
-	-	-	-
-	-	-	-
-	-	-	-

1

2

3

4



Copyright FCI.