



Chipsmall Limited consists of a professional team with an average of over 10 year of expertise in the distribution of electronic components. Based in Hongkong, we have already established firm and mutual-benefit business relationships with customers from,Europe,America and south Asia,supplying obsolete and hard-to-find components to meet their specific needs.

With the principle of “Quality Parts,Customers Priority,Honest Operation,and Considerate Service”,our business mainly focus on the distribution of electronic components. Line cards we deal with include Microchip,ALPS,ROHM,Xilinx,Pulse,ON,Everlight and Freescale. Main products comprise IC,Modules,Potentiometer,IC Socket,Relay,Connector.Our parts cover such applications as commercial,industrial, and automotives areas.

We are looking forward to setting up business relationship with you and hope to provide you with the best service and solution. Let us make a better world for our industry!



Contact us

Tel: +86-755-8981 8866 Fax: +86-755-8427 6832

Email & Skype: info@chipsmall.com Web: www.chipsmall.com

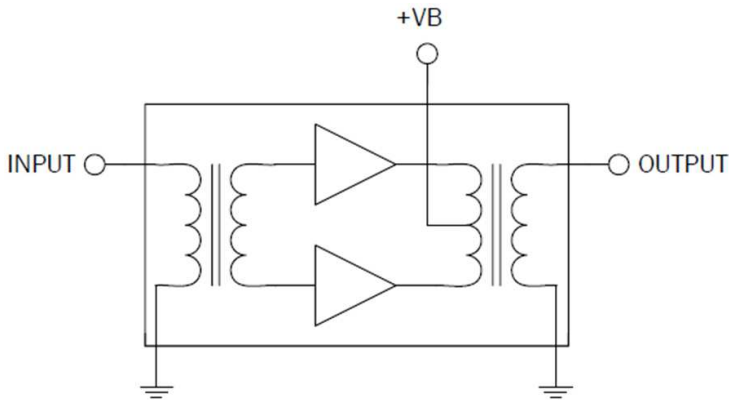
Address: A1208, Overseas Decoration Building, #122 Zhenhua RD., Futian, Shenzhen, China



D10040240GT

GaAs Power Doubler Hybrid
40MHz to 1000MHz

The D10040240GT is a Hybrid Power Doubler amplifier module. The part employs GaAs die and is operated from 40MHz to 1000MHz. It provides excellent linearity and superior return loss performance with low noise and optimal reliability.



Package: SOT-115J

Features

- Excellent Linearity
- Superior Return Loss Performance
- Extremely Low Distortion
- Optimal Reliability
- Low Noise
- Unconditionally Stable Under All Terminations
- 24.0dB Min. Gain at 1GHz
- 375mA Max. at 24VDC

Applications

- 40MHz to 1000MHz CATV Amplifier Systems

Ordering Information

D10040240GT Box with 50 pieces

Absolute Maximum Ratings

| Parameter | Rating | Unit |
|-------------------------------------|-------------|------|
| RF Input Voltage (single tone) | 75 | dBmV |
| DC Supply Over-Voltage (5 minutes) | 30 | V |
| Storage Temperature | -40 to +100 | °C |
| Operating Mounting Base Temperature | -30 to +100 | °C |



Caution! ESD sensitive device.



RoHS (Restriction of Hazardous Substances): Compliant per EU Directive 2011/65/EU.

Exceeding any one or a combination of the Absolute Maximum Rating conditions may cause permanent damage to the device. Extended application of Absolute Maximum Rating conditions to the device may reduce device reliability. Specified typical performance or functional operation of the device under Absolute Maximum Rating conditions is not implied.

Nominal Operating Parameters

| Parameter | Specification | | | Unit | Condition |
|----------------------------------------|---------------|-------|-------|------|----------------------------------------------------------------------------------------------------|
| | Min | Typ | Max | | |
| General Performance | | | | | $V_+ = 24V$; $T_{MB} = 30^\circ C$; $Z_S = Z_L = 75\Omega$ |
| Power Gain | 24.0 | | 25.5 | dB | $f = 1000MHz$ |
| Slope ^[1] | 1.0 | 1.5 | 2.5 | dB | $f = 40MHz$ to $1000MHz$ |
| Flatness of Frequency Response | | | 0.8 | dB | $f = 40MHz$ to $1000MHz$ (Peak to Valley) |
| Input Return Loss | 20.0 | | | dB | $f = 40MHz$ to $320MHz$ |
| | 19.0 | | | dB | $f = 320MHz$ to $640MHz$ |
| | 17.0 | | | dB | $f = 640MHz$ to $870MHz$ |
| | 16.0 | | | dB | $f = 870MHz$ to $1000MHz$ |
| Output Return Loss | 20.0 | | | dB | $f = 40MHz$ to $320MHz$ |
| | 19.0 | | | dB | $f = 320MHz$ to $640MHz$ |
| | 18.0 | | | dB | $f = 640MHz$ to $870MHz$ |
| | 17.0 | | | dB | $f = 870MHz$ to $1000MHz$ |
| Noise Figure | | | 6.0 | dB | $f = 50MHz$ to $1000MHz$ |
| Total Current Consumption (DC) | | 350.0 | 375.0 | mA | |
| Distortion Data 40MHz to 870MHz | | | | | $V_+ = 24V$; $T_{MB} = 30^\circ C$; $Z_S = Z_L = 75\Omega$ |
| CTB | | -64 | -62 | dBc | 132 ch flat; $V_0 = 44dBmV^{[2]}$ |
| XMOD | | -60 | -58 | dBc | |
| CSO | | -65 | -63 | dBc | |

1. The slope is defined as the difference between the gain at the start frequency and the gain at the stop frequency.

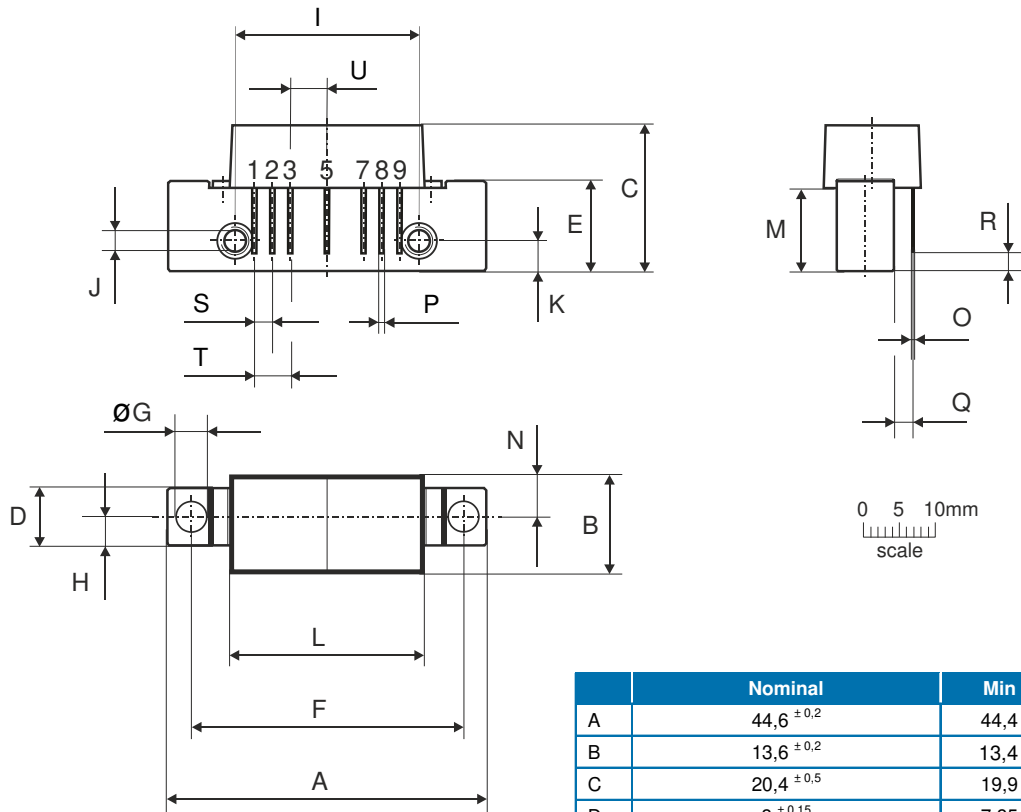
2. 132 channels, NTSC frequency raster: 55.25MHz to 865.25MHz, +44dBmV flat output level.

Composite Second Order (CSO) - The CSO parameter (both sum and difference products) is defined by the NCTA.

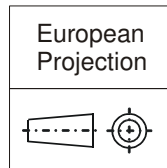
Composite Triple Beat (CTB) - The CTB parameter is defined by the NCTA.

Cross Modulation (XMOD) - Cross modulation (XMOD) is measured at baseband (selective voltmeter method), referenced to 100% modulation of the carrier being tested.

Package Drawing (Dimensions in millimeters)



Notes:



Pinning:

| Pin | Name |
|-----|--------|
| 1 | Input |
| 2-3 | GND |
| 4 | |
| 5 | +VB |
| 6 | |
| 7-8 | GND |
| 9 | Output |

| | Nominal | Min | Max |
|---|-------------------------|-------|-------|
| A | 44,6 ^{+0,2} | 44,4 | 44,8 |
| B | 13,6 ^{+0,2} | 13,4 | 13,8 |
| C | 20,4 ^{+0,5} | 19,9 | 20,9 |
| D | 8 ^{+0,15} | 7,85 | 8,15 |
| E | 12,6 ^{+0,15} | 12,45 | 12,75 |
| F | 38,1 ^{+0,2} | 37,9 | 38,3 |
| G | 4 ^{+0,2/-0,05} | 3,95 | 4,2 |
| H | 4 ^{+0,2} | 3,8 | 4,2 |
| I | 25,4 ^{+0,2} | 25,2 | 25,6 |
| J | UNC 6-32 | - | - |
| K | 4,2 ^{+0,2} | 4,0 | 4,4 |
| L | 27,2 ^{+0,2} | 27,0 | 27,4 |
| M | 11,6 ^{+0,5} | 11,1 | 12,1 |
| N | 5,8 ^{+0,4} | 5,4 | 6,2 |
| O | 0,25 ^{+0,02} | 0,23 | 0,27 |
| P | 0,45 ^{+0,03} | 0,42 | 0,48 |
| Q | 2,54 ^{+0,3} | 2,24 | 2,84 |
| R | 2,54 ^{+0,5} | 2,04 | 3,04 |
| S | 2,54 ^{+0,25} | 2,29 | 2,79 |
| T | 5,08 ^{+0,25} | 4,83 | 5,33 |
| U | 5,08 ^{+0,25} | 4,83 | 5,33 |