



Chipsmall Limited consists of a professional team with an average of over 10 year of expertise in the distribution of electronic components. Based in Hongkong, we have already established firm and mutual-benefit business relationships with customers from,Europe,America and south Asia,supplying obsolete and hard-to-find components to meet their specific needs.

With the principle of “Quality Parts,Customers Priority,Honest Operation,and Considerate Service”,our business mainly focus on the distribution of electronic components. Line cards we deal with include Microchip,ALPS,ROHM,Xilinx,Pulse,ON,Everlight and Freescale. Main products comprise IC,Modules,Potentiometer,IC Socket,Relay,Connector.Our parts cover such applications as commercial,industrial, and automotives areas.

We are looking forward to setting up business relationship with you and hope to provide you with the best service and solution. Let us make a better world for our industry!



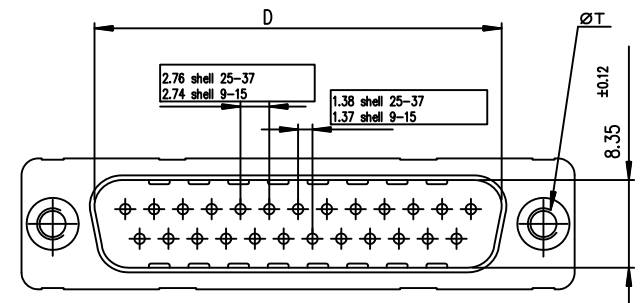
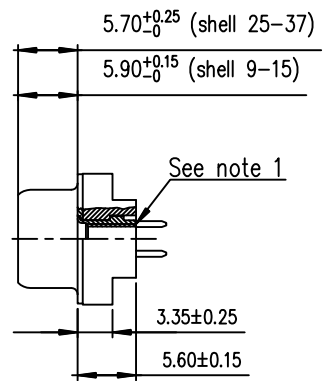
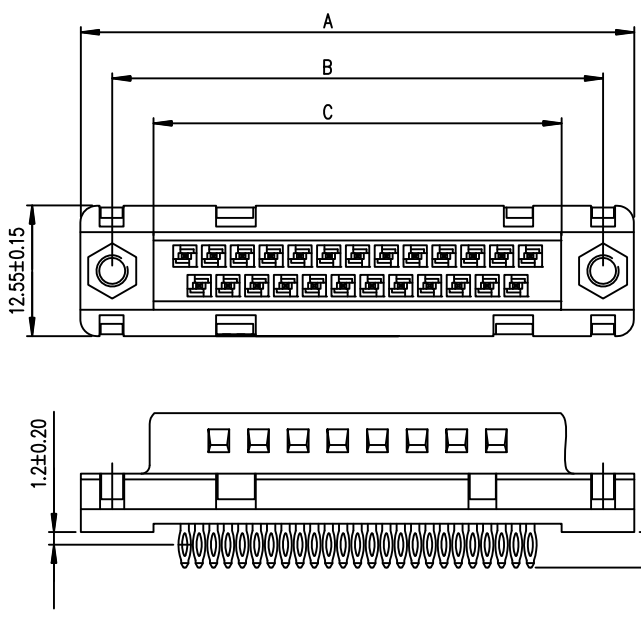
Contact us

Tel: +86-755-8981 8866 Fax: +86-755-8427 6832

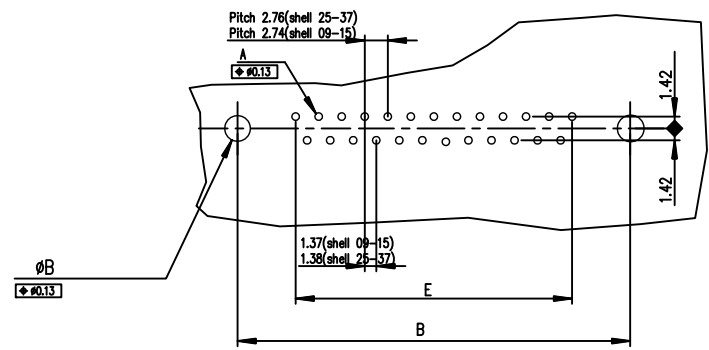
Email & Skype: info@chipsmall.com Web: www.chipsmall.com

Address: A1208, Overseas Decoration Building, #122 Zhenhua RD., Futian, Shenzhen, China





PC board drilling dimensions(after plating)
(thickness ≤ 3.20±0.30mm)



LEAD FREE PART NUMBERS

SHELL	A±0.38	B±0.12	C±0.10	D±0.25	E±0.07	PART NUMBER	PART NUMBER	PART NUMBER
09	30.81	24.99	16.96	16.79	10.96	D09P90C4P*OOLF	D09P90C6P*OOLF	D09P90C8P*OOLF
15	39.14	33.32	25.18	25.12	19.18	D15P90C4P*OOLF	D15P90C6P*OOLF	D15P90C8P*OOLF
25	53.03	47.04	39.12	38.84	33.12	D25P90C4P*OOLF	D25P90C6P*OOLF	D25P90C8P*OOLF
37	69.32	63.50	55.68	55.30	49.68	D37P90C4P*OOLF	D37P90C6P*OOLF	D37P90C8P*OOLF
						Gold Flash	0.76µ Gold	1.25µ Gold

Threaded ØT M3 = L
Threaded ØT 4.40 = X

GENERAL CHARACTERISTICS AND ROHS INFORMATIONS:
SEE DRAWING C01-8646-0001

Notes:
1) The nut can protrude above the surface of insulator but maintaining the footprint dimension 5.60±0.15 mm.

mat'l. code		surface ISO 1302		tolerance ISO 406 ISO 1101		projection		product family	
-		✓		tolerances unless otherwise specified		MM		D-SUB	
Ltr	ecn no	dr	date	angles		linear		title	
F	ELX-I-21256	AB	2015/07/14	0°±2'		.0±0.1 .00±0.1 .000±0.1		MALE CONNECTOR DELTA-D STRAIGHT - PRESS FIT	
sheet index		revision sheet		F 1		scale 2:1		dwg no sheet 1 of 1 size	
						FCJ		C01-8646-0461 A3	
								type Product Customer Drawing	