



Chipsmall Limited consists of a professional team with an average of over 10 year of expertise in the distribution of electronic components. Based in Hongkong, we have already established firm and mutual-benefit business relationships with customers from,Europe,America and south Asia,supplying obsolete and hard-to-find components to meet their specific needs.

With the principle of “Quality Parts,Customers Priority,Honest Operation,and Considerate Service”,our business mainly focus on the distribution of electronic components. Line cards we deal with include Microchip,ALPS,ROHM,Xilinx,Pulse,ON,Everlight and Freescale. Main products comprise IC,Modules,Potentiometer,IC Socket,Relay,Connector.Our parts cover such applications as commercial,industrial, and automotives areas.

We are looking forward to setting up business relationship with you and hope to provide you with the best service and solution. Let us make a better world for our industry!



Contact us

Tel: +86-755-8981 8866 Fax: +86-755-8427 6832

Email & Skype: info@chipsmall.com Web: www.chipsmall.com

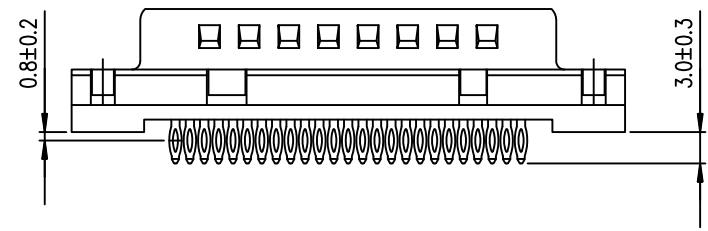
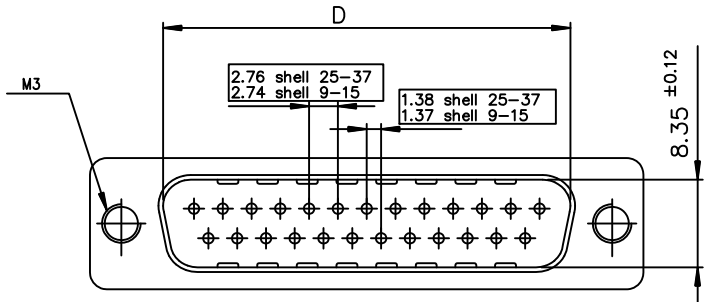
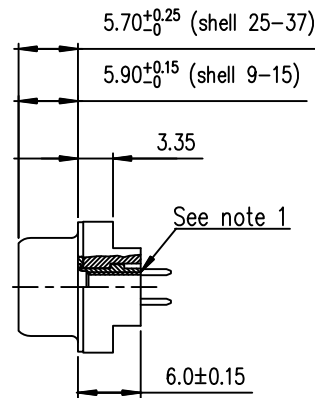
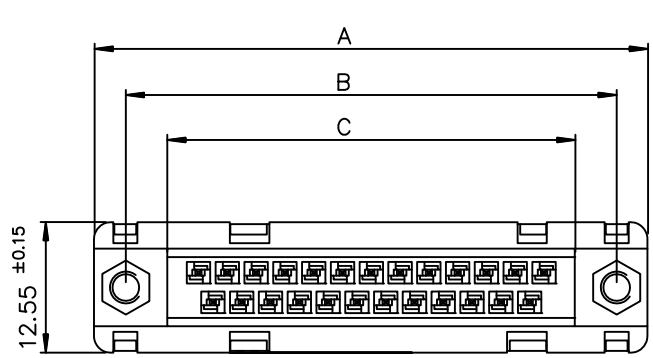
Address: A1208, Overseas Decoration Building, #122 Zhenhua RD., Futian, Shenzhen, China



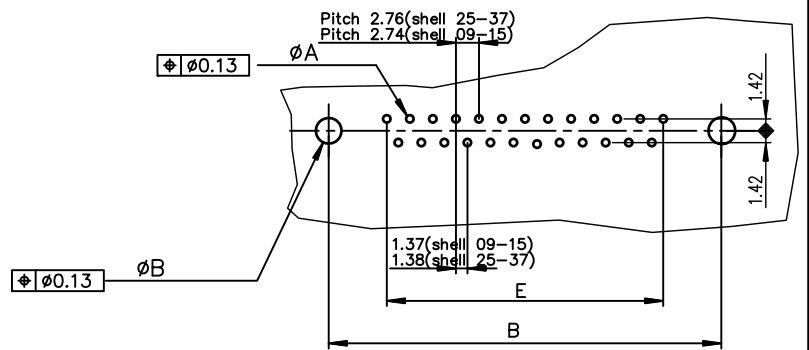


FCIconnect.com

Copyright FCI



PC board drilling dimensions(after plating)
(thickness ≤ 3.20±0.30mm)



Notes:

1) The nut can protrude above the surface of insulator but maintaining the footprint dimension 6±0.15 mm.

GENERAL CHARACTERISTICS AND ROHS INFORMATIONS:
SEE DRAWING C01-8646-0001

LEAD FREE PART NUMBER

SHELL	A±0.38	B±0.12	C±0.10	D±0.25	E±0.07	PART NUMBER	PART NUMBER	PART NUMBER
09	30.81	24.99	16.96	16.79	10.96	D09P91C4PL00LF	D09P91C6PL00LF	D09P91C8PL00LF
15	39.14	33.32	25.18	25.12	19.18	D15P91C4PL00LF	D15P91C6PL00LF	D15P91C8PL00LF
25	53.03	47.04	39.12	38.84	33.12	D25P91C4PL00LF	D25P91C6PL00LF	D25P91C8PL00LF
37	69.32	63.50	55.68	55.30	49.68	D37P91C4PL00LF	D37P91C6PL00LF	D37P91C8PL00LF
						gold flash	0.76µ gold	1.25µ gold

mat'l. code		surface		tolerance		projection		product family	
-		ISO 1302		ISO 406 ISO 1101		MM		D-SUB	
Ltr		ecn no		dr		date		title	
L		ELX-I-21256		AB		2015/07/14		MALE CONNECTOR DELTA-D STRAIGHT - PRESS FIT	
		angles		linear		scale 2:1		dwg no	
		0±2'		.0±0.1				sheet 1 of 1	
				.00±0.1				size	
				.000±0.1				A3	
		dr		JARRY		1992/09/14		FCI	
		enr		ALIAS BABU		2015/07/14		C01-8646-0110	
		chr		MITHUN PAUL		2015/07/14		type	
		app		BIJU K PAUL		2015/07/14		Product Customer Drawing	
sheet index		revision		L					
		sheet		1					