



Chipsmall Limited consists of a professional team with an average of over 10 year of expertise in the distribution of electronic components. Based in Hongkong, we have already established firm and mutual-benefit business relationships with customers from,Europe,America and south Asia,supplying obsolete and hard-to-find components to meet their specific needs.

With the principle of “Quality Parts,Customers Priority,Honest Operation,and Considerate Service”,our business mainly focus on the distribution of electronic components. Line cards we deal with include Microchip,ALPS,ROHM,Xilinx,Pulse,ON,Everlight and Freescale. Main products comprise IC,Modules,Potentiometer,IC Socket,Relay,Connector.Our parts cover such applications as commercial,industrial, and automotives areas.

We are looking forward to setting up business relationship with you and hope to provide you with the best service and solution. Let us make a better world for our industry!



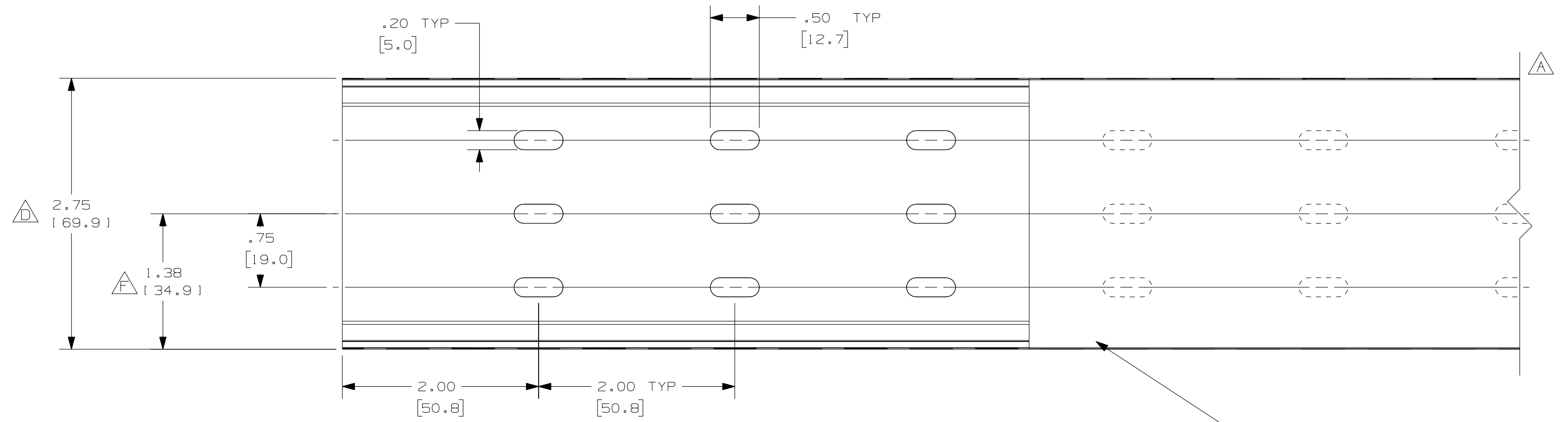
## Contact us

Tel: +86-755-8981 8866 Fax: +86-755-8427 6832

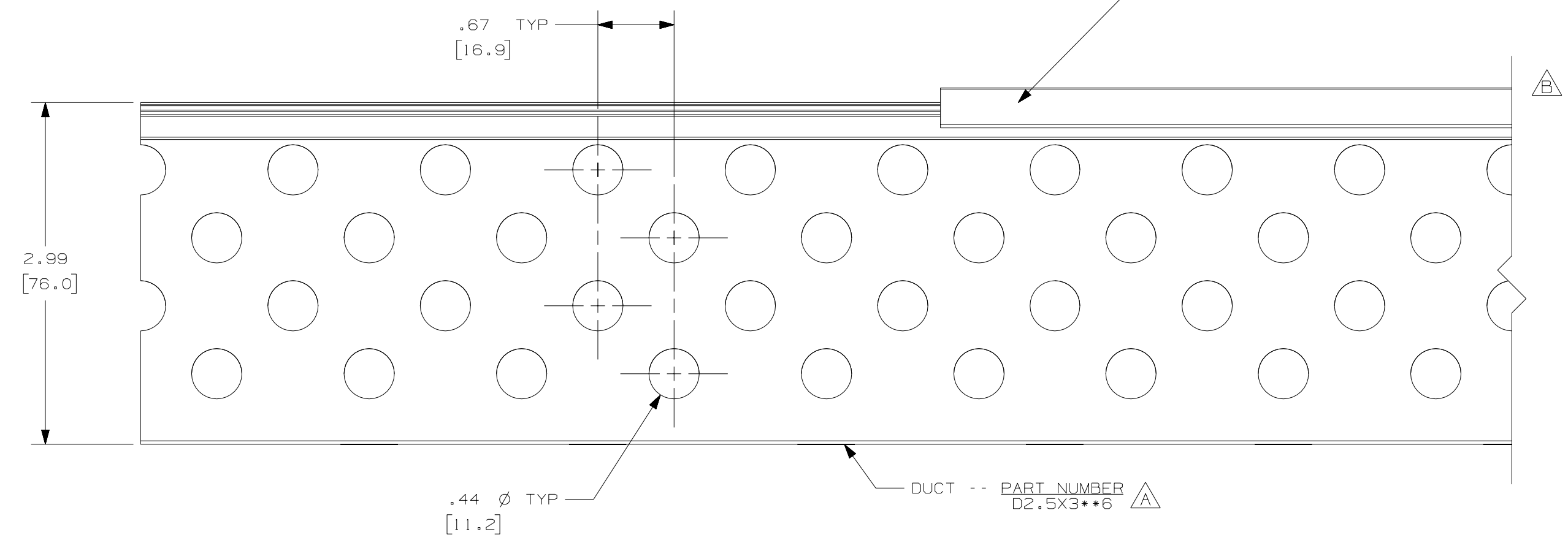
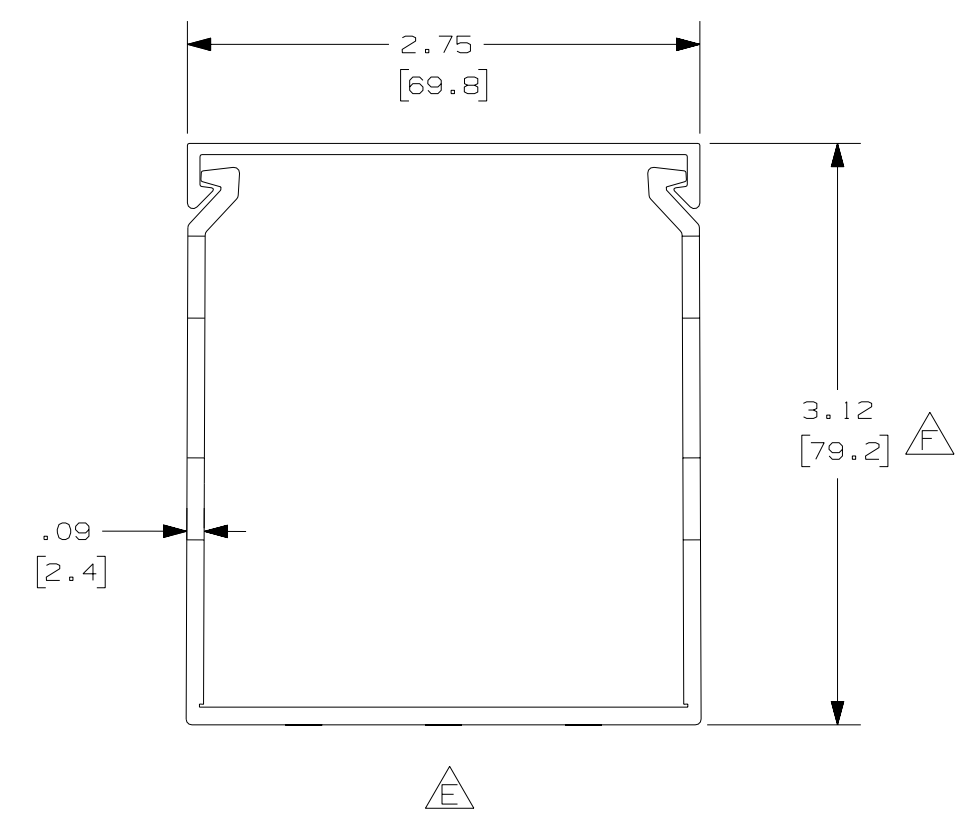
Email & Skype: info@chipsmall.com Web: www.chipsmall.com

Address: A1208, Overseas Decoration Building, #122 Zhenhua RD., Futian, Shenzhen, China





COVER -- PART NUMBER C2.5\*\*6



DUCT -- PART NUMBER D2.5X3\*\*6



- NOTES:
1. ALL DIMENSIONS ARE REFERENCE ONLY.
  2. DIMENSIONS IN PARENTHESIS ARE METRIC.
  3. THE \*\* DENOTE COLOR.
  4. DUCT AND COVER ARE AVAILABLE IN 6 FT [1828.8] LENGTHS.

REV	DATE	BY	CHK	DESCRIPTION
2	8/12/07	JCSTMKBE		G. ADDED LENGTH NOTE F. CORRECTED DIMENSION E. DELETED DIMENSION D. ADDED DIMENSION
1	6-18-04	JCSTMKBE		C. CHANGED DRAWING SIZE B. CHANGED VIEW A. ADDED TOP VIEW, NOTES, AND LABELS
R	4-28-03	JCST	JGG	DRAWING RELEASED

CAD FILENAME/LAYERS D11000BM\_DC\_00C

**PANDUIT** CORP. TINLEY PARK, ILLINOIS

WIRING DUCT - TYPE D DUCT WITH COVER  
2.5 X 3  
MARKETING DRAWING

DRWN BY JCST	MAT'L: PVC	SCALE FULL
DATE 4-28-03	DWG NO. 36897-832	DWG SIZE C
CHECKED BY JGG		

