



Chipsmall Limited consists of a professional team with an average of over 10 year of expertise in the distribution of electronic components. Based in Hongkong, we have already established firm and mutual-benefit business relationships with customers from,Europe,America and south Asia,supplying obsolete and hard-to-find components to meet their specific needs.

With the principle of “Quality Parts,Customers Priority,Honest Operation,and Considerate Service”,our business mainly focus on the distribution of electronic components. Line cards we deal with include Microchip,ALPS,ROHM,Xilinx,Pulse,ON,Everlight and Freescale. Main products comprise IC,Modules,Potentiometer,IC Socket,Relay,Connector.Our parts cover such applications as commercial,industrial, and automotives areas.

We are looking forward to setting up business relationship with you and hope to provide you with the best service and solution. Let us make a better world for our industry!



## Contact us

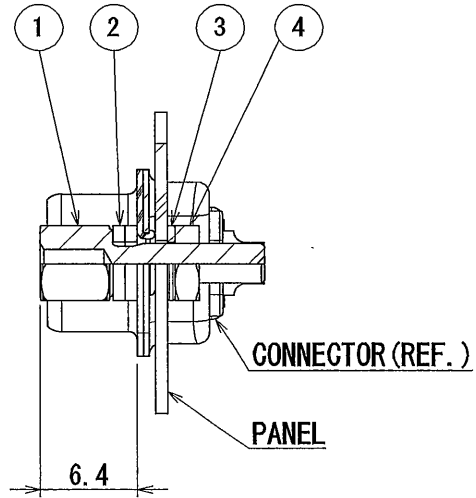
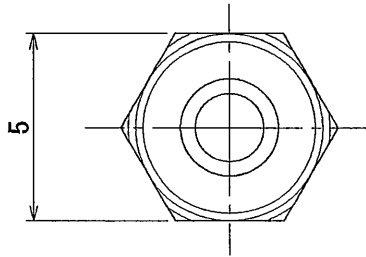
Tel: +86-755-8981 8866 Fax: +86-755-8427 6832

Email & Skype: info@chipsmall.com Web: www.chipsmall.com

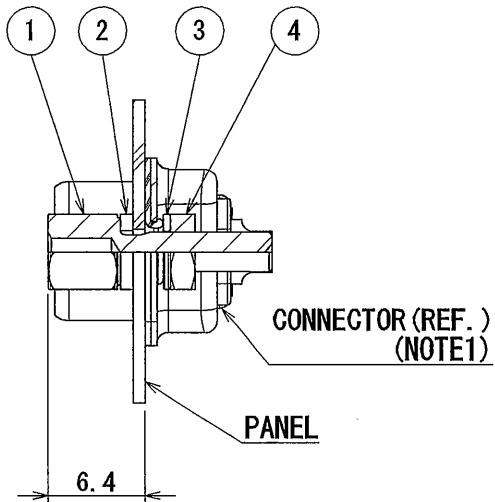
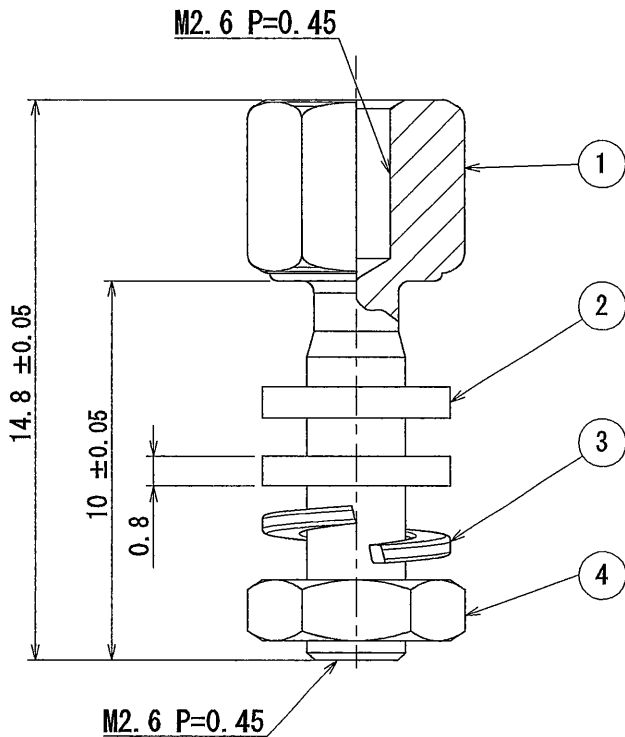
Address: A1208, Overseas Decoration Building, #122 Zhenhua RD., Futian, Shenzhen, China



版数 REV.	年月日 DATE	DCN NO.	変更内容 DESCRIPTION	製図 DR.	担当 CHK.	査閲 APPD.	承認 APPD.
2	30/MAR/2010	069693	REDRAWN (JAPANESE ⇒ BILINGUAL)	M. SHINOZAKI	C. KAWAMURA	O. Takagi	Y. OTSUKA



**FRONT MOUNTING**  
(SCALE 2:1)



**REAR MOUNTING**  
(SCALE 2:1)

NOTE1. WHEN CONNECTORS ARE REAR-MOUNTED, A WASHER FOR EVERY 0.8MM OF PANEL THICKNESS SHALL BE REMOVED IN MOUNTING SO AS TO KEEP THE DIMENTION OF 6.4MM.  
2. PARTS IN ITEMS 2, 3, 4 ARE ATTACHED TO PACKAGE, NOT ASSEMBLED.

4	NUT	1	STEEL	NICKEL PLATING	
3	SPRING WASHER	1	STEEL	NICKEL PLATING	
2	WASHER	2	STEEL	NICKEL PLATING	REFER TO NOTE1
1	LOCKING NUT	1	STEEL	NICKEL PLATING	
符号 NO.	名称 DESCRIPTION	個数 QTY.	材料 MATERIAL	仕上 FINISH	備考 REMARKS

仕様書 (SPECIFICATION)		第1版 (ORIGINAL DATE) 03/MAR/1983		名称 (TITLE) D20418-J3F		日本航空電子工業株式会社 Reference Only	
一般公差 (GENERAL TOLERANCE)		製図 DR.	S. T	シリーズ (SERIES) D-Sub		図面番号 (DRAWING NO.) SJ018086	
寸法 (DIMENSION)	角度 (ANGLES)	担当 CHK.	TASHIRO				
± —	×° ± —	査閲 APPD.	—				
± 0.5	××' ± —	承認 APPD.	KANEDA				
± —	××× ± —			尺度 (SCALE)	5:1	版数 (REV.) 2	
± —	×××× ± —						

DCF-C-211F (05.08)

SIZE A4

S/W