



Chipsmall Limited consists of a professional team with an average of over 10 year of expertise in the distribution of electronic components. Based in Hongkong, we have already established firm and mutual-benefit business relationships with customers from,Europe,America and south Asia,supplying obsolete and hard-to-find components to meet their specific needs.

With the principle of “Quality Parts,Customers Priority,Honest Operation,and Considerate Service”,our business mainly focus on the distribution of electronic components. Line cards we deal with include Microchip,ALPS,ROHM,Xilinx,Pulse,ON,Everlight and Freescale. Main products comprise IC,Modules,Potentiometer,IC Socket,Relay,Connector.Our parts cover such applications as commercial,industrial, and automotives areas.

We are looking forward to setting up business relationship with you and hope to provide you with the best service and solution. Let us make a better world for our industry!



## Contact us

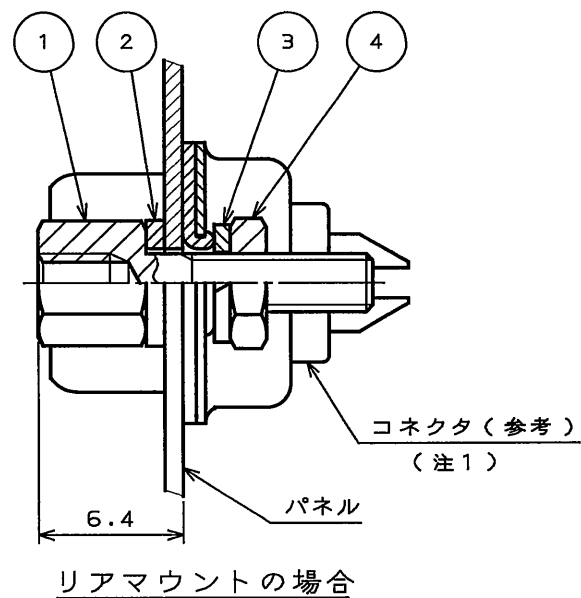
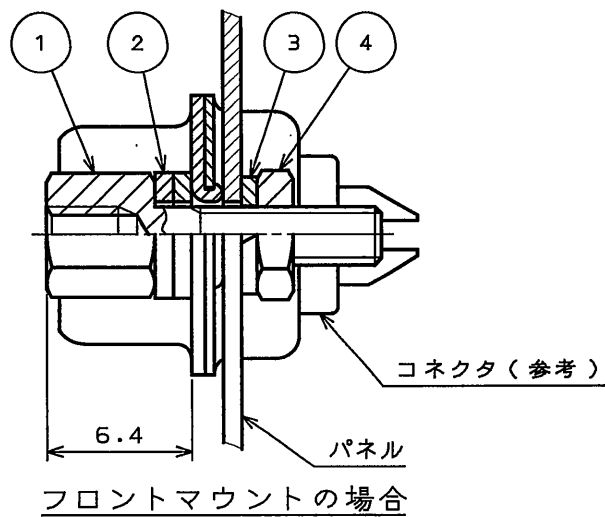
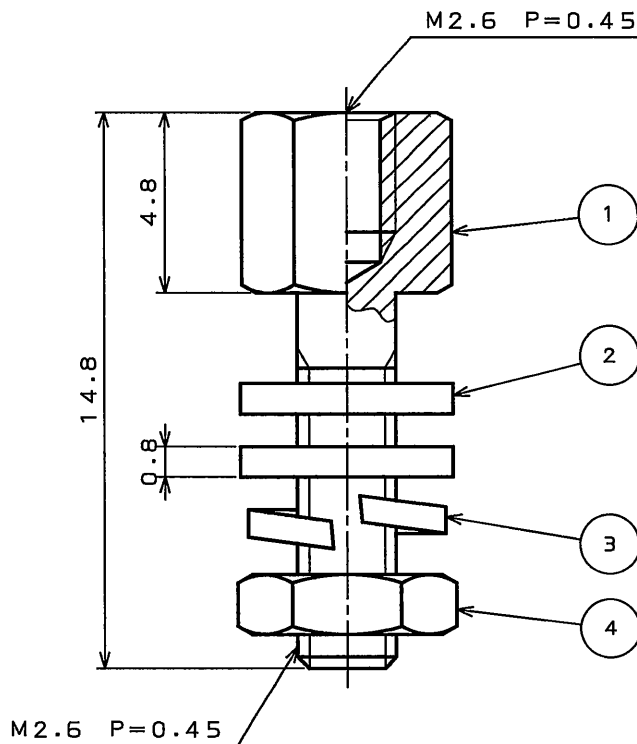
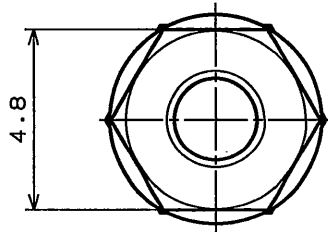
Tel: +86-755-8981 8866 Fax: +86-755-8427 6832

Email & Skype: info@chipsmall.com Web: www.chipsmall.com

Address: A1208, Overseas Decoration Building, #122 Zhenhua RD., Futian, Shenzhen, China



版数 REV.	年月日 DATE	DCN NO.	変更内容 DESCRIPTION	製図 DR.	担当 CHK.	査閲 APPD.	承認 APPD.
------------	-------------	---------	---------------------	-----------	------------	-------------	-------------



注1.コネクタをパネルの背面から取付けた場合、6.4の寸法を保つ為、  
 ②のワッシャをパネル板厚0.8t毎に1枚ずつ取外し使用して下さい。  
 2.各部品は組立てず梱包される。

4	ナット	1	鋼	亜鉛メッキ上 3価クロメート処理	
3	スプリングワッシャ	1	鋼	亜鉛メッキ上 3価クロメート処理	
2	ワッシャ	2	鋼	亜鉛メッキ上 3価クロメート処理	注1参照
1	ロックナット	1	鋼	亜鉛メッキ上 3価クロメート処理	
符号 NO.	名称 DESCRIPTION	個数 QTY.	材料 MATERIAL	仕上 FINISH	備考 REMARKS

DOF-0-211E(03.08)

仕様書(SPECIFICATION)		第1版(ORIGINAL DATE) 2005.7.12		名称(TITLE) D20418-J3R		日本航空電子工業株式会社 JAPAN AVIATION ELECTRONICS INDUSTRY, LTD.		A 4 E I S
公差(GENERAL TOLERANCE)		製図 DR.	担当 CHK.	高木(洋)				
寸法(DIMENSION)		査閲 APPD.	承認 APPD.					
角度(ANGLES)				シリーズ(SERIES) 尺度(SCALE)		図面番号(DRAWING NO.)		
. ±				D-sub		SJ103104		版数 (REV.) 1
.X ± 0.5				5:1				
.XX ±								
.XXX ±								